









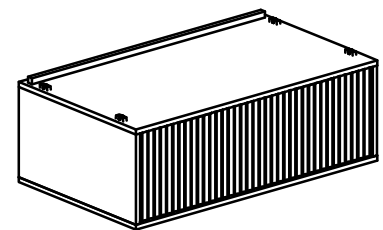


ASSEMBLY INSTRUCTION

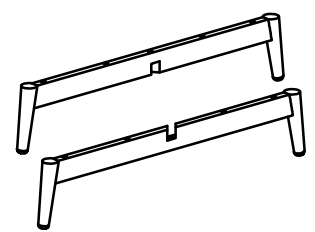
G7363 - GENTS WARDROBE

No	LIST OF HARDWARE	Q.ty (pcs)
①	Bolts M6x55 	9
②	Allen key K4 	1
③	Handles 	4
④	Flat screw Ø3.5 x 12 	8
⑤	Hinge 	6 Sets
⑥	Screw M 5x18 	8
⑦	Round head Screw Ø4 x 30 	16
⑧	Plastic bracket 	2
⑨	Tie 	1
⑩	Screw Ø4x20 	2

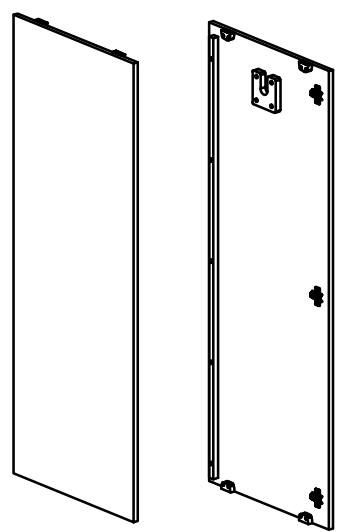
Screwdriver (not included) 



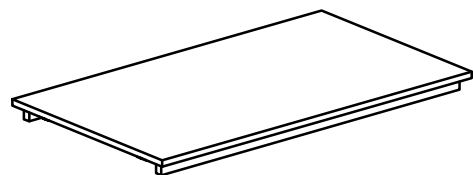
Ⓐ x1: Base



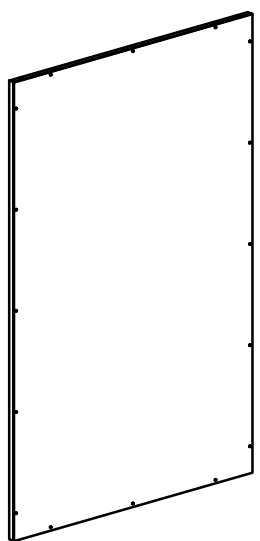
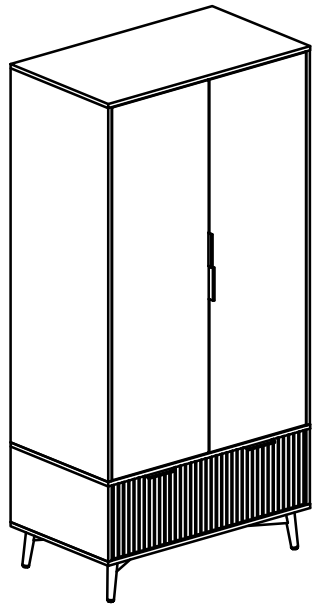
Ⓑ x1Set : Legs Frame



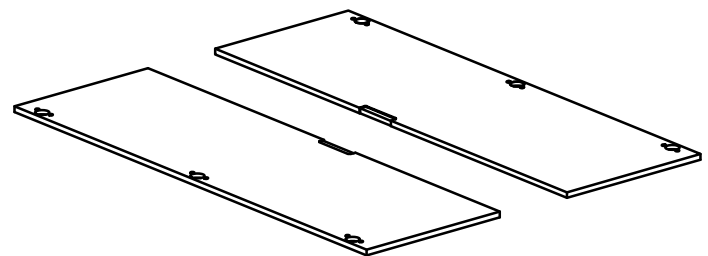
Ⓒ x 2 (Left -Right) :Side Frame



Ⓓ x 1 :Top Frame



Ⓔ x 1 : Back Frame



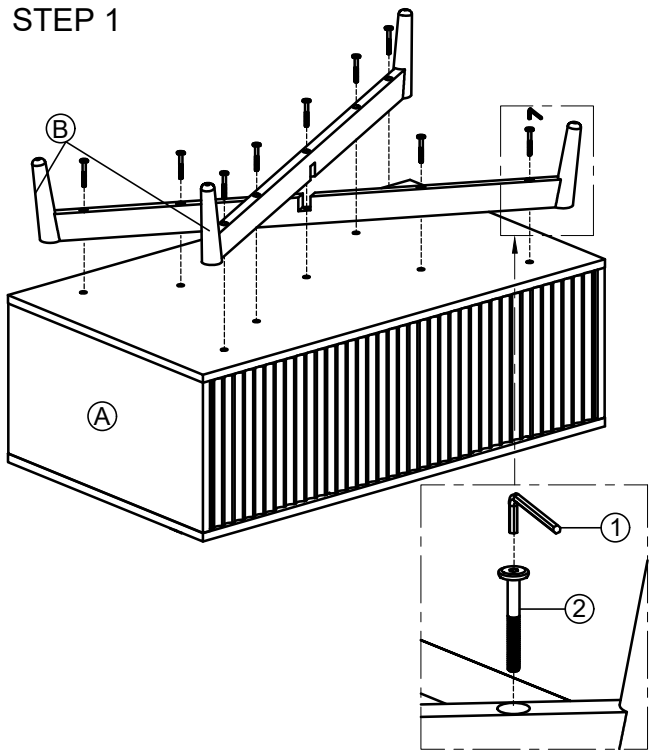
Ⓕ x 2 (Left -Right) : Door



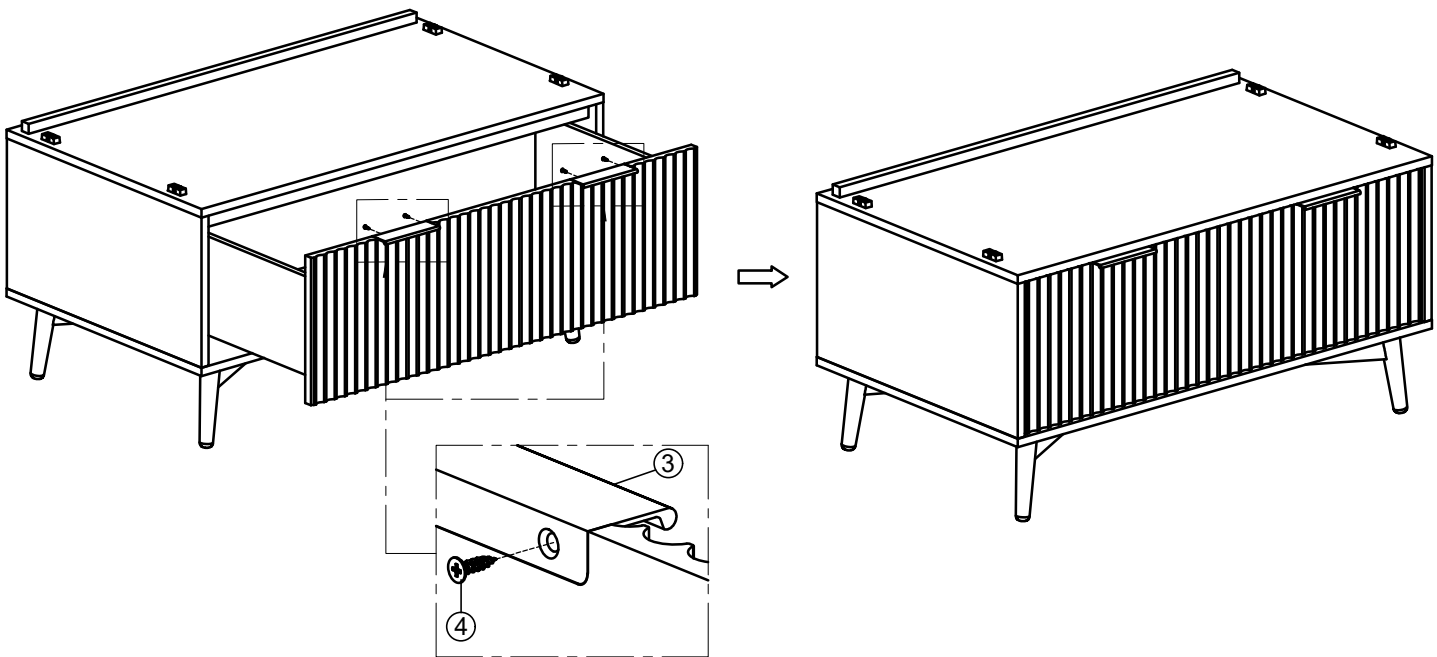
Ⓖ x 1 : Hanging

ASSEMBLY INSTRUCTION G7363 - GENTS WARDROBE

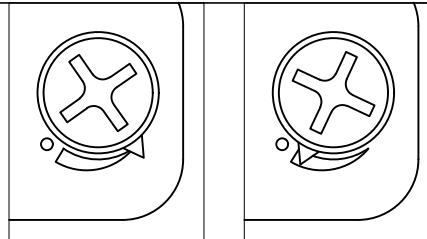
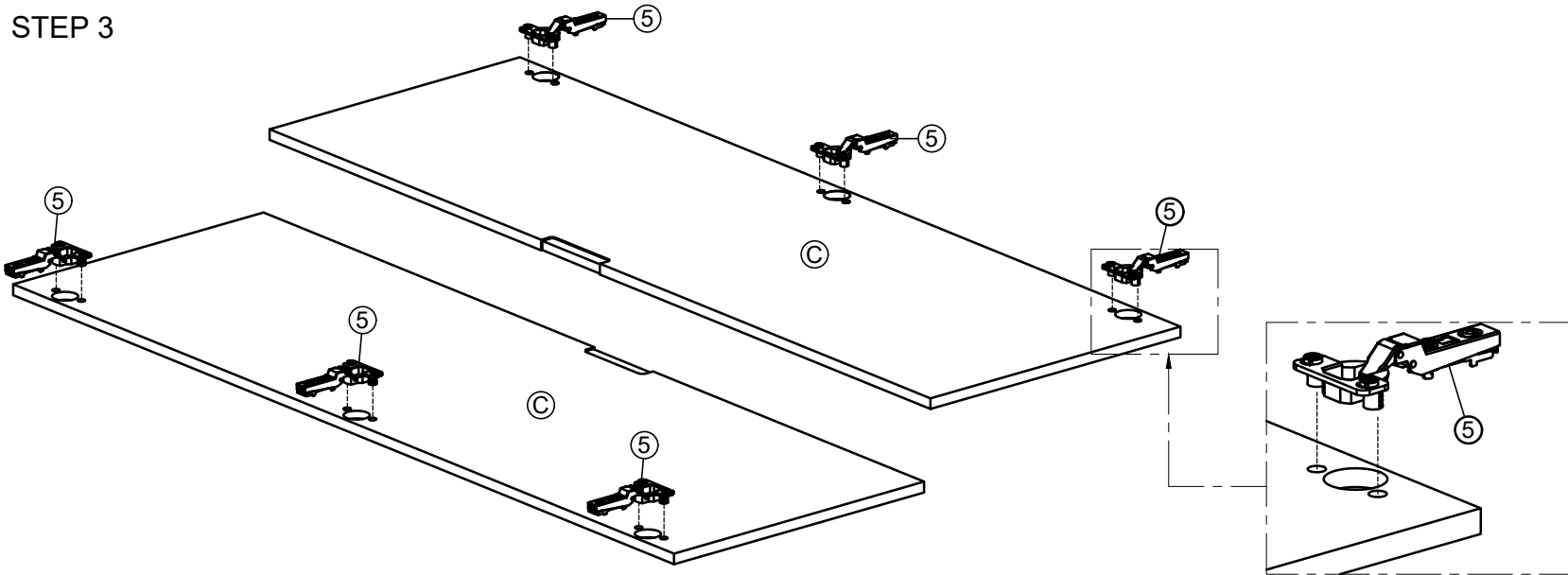
STEP 1



STEP 2



STEP 3



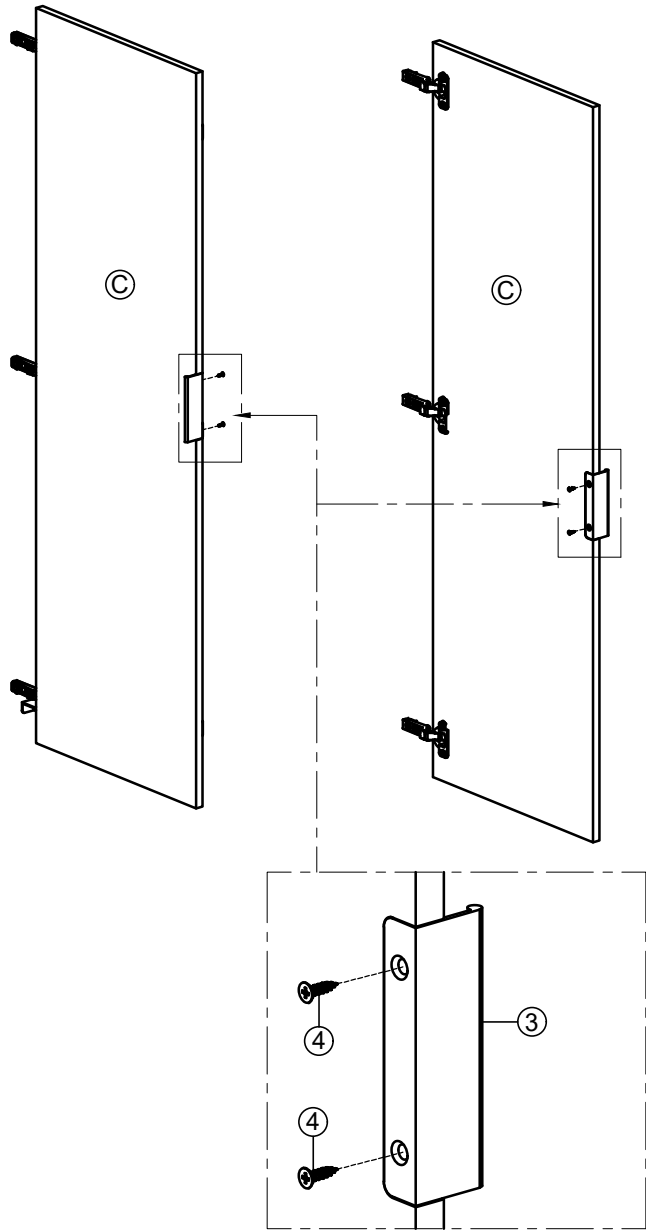
Unlock

Lock

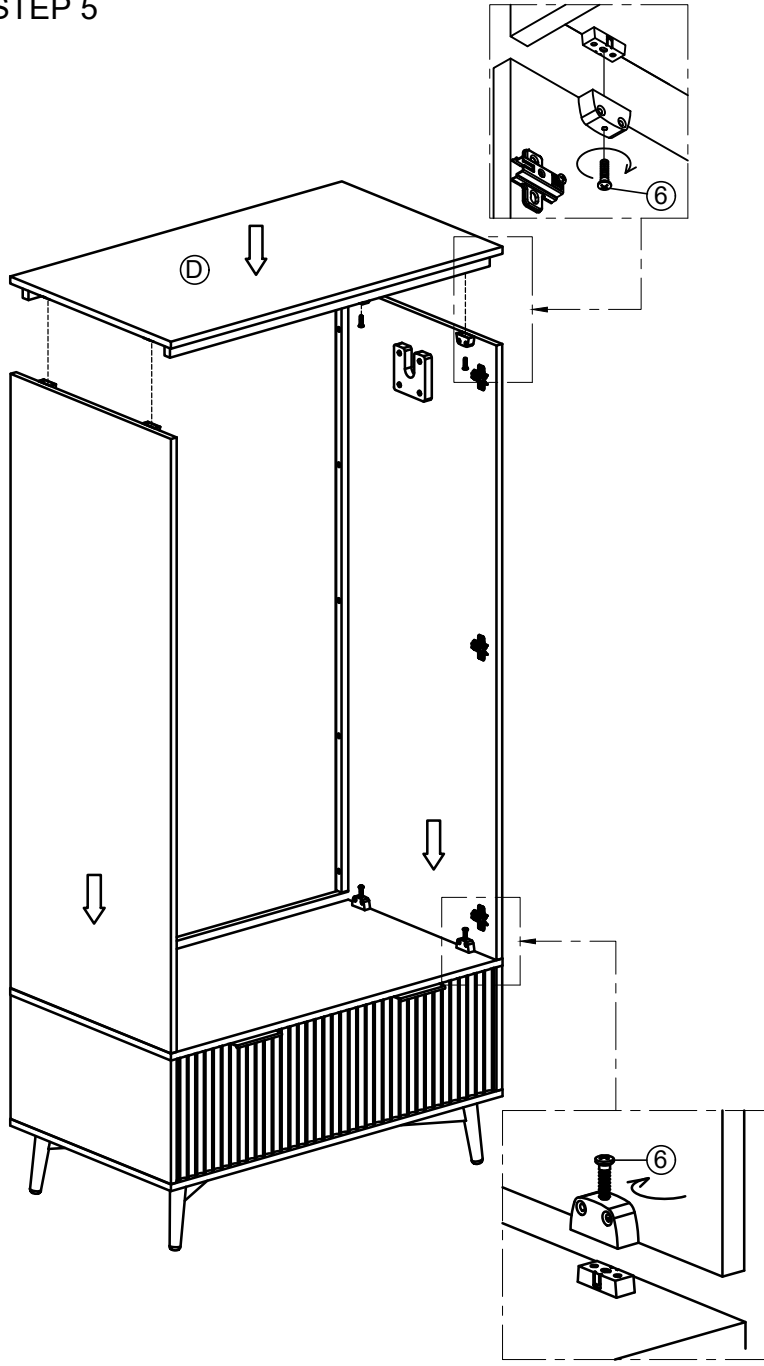
NOTE:
Turn screws in a clockwise motion
to secure the hinges in place

ASSEMBLY INSTRUCTION G7363 - GENTS WARDROBE

STEP 4

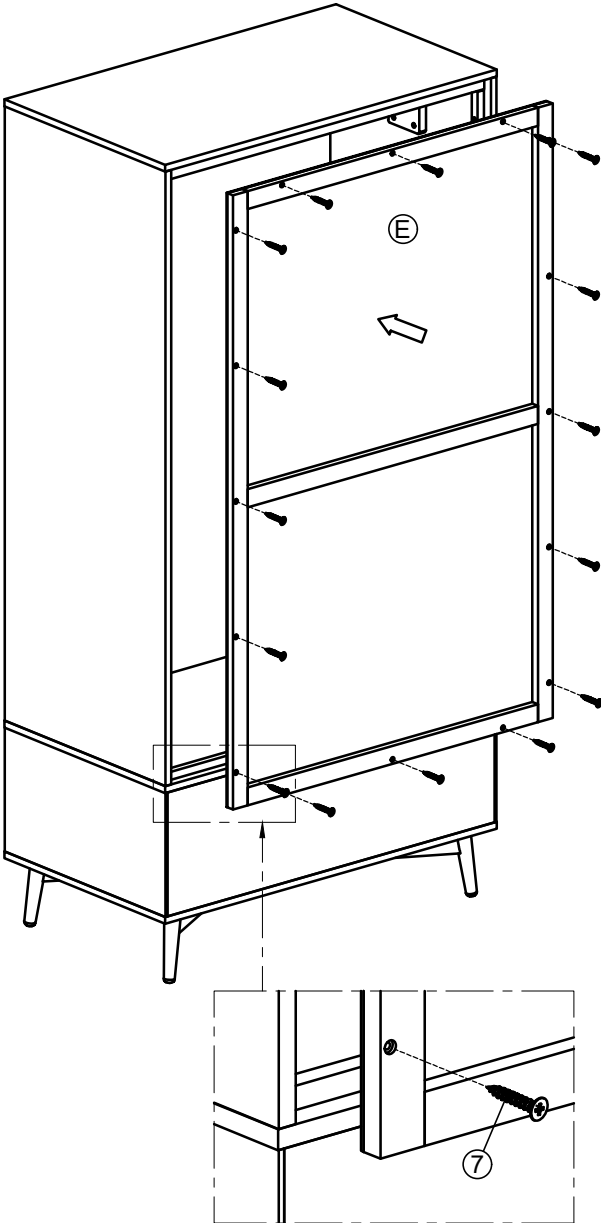


STEP 5

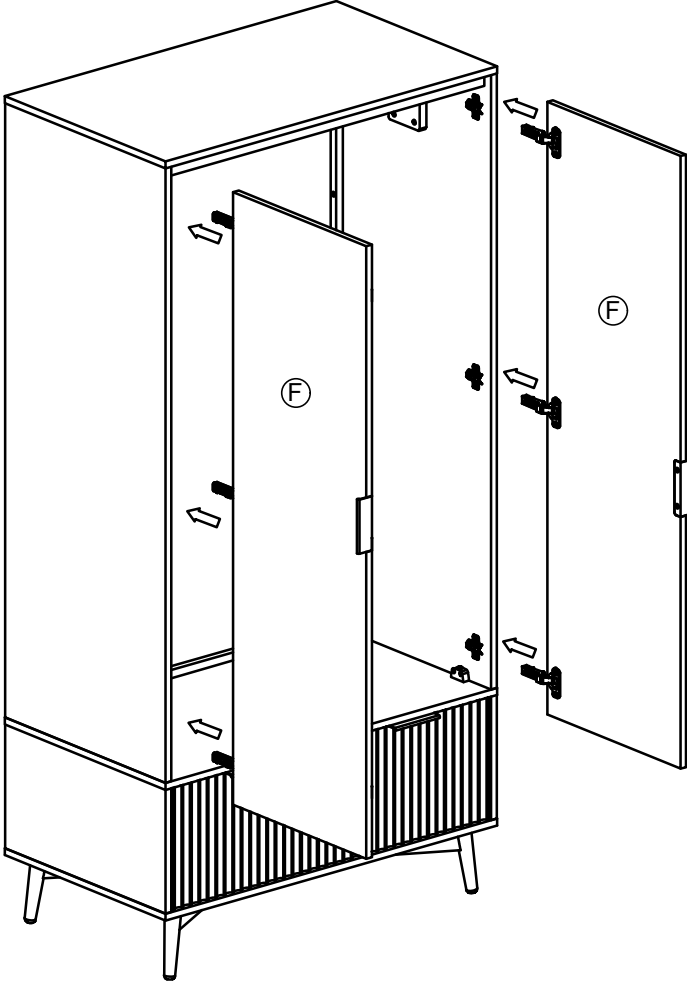


ASSEMBLY INSTRUCTION
G7363 - GENTS WARDROBE

STEP 6

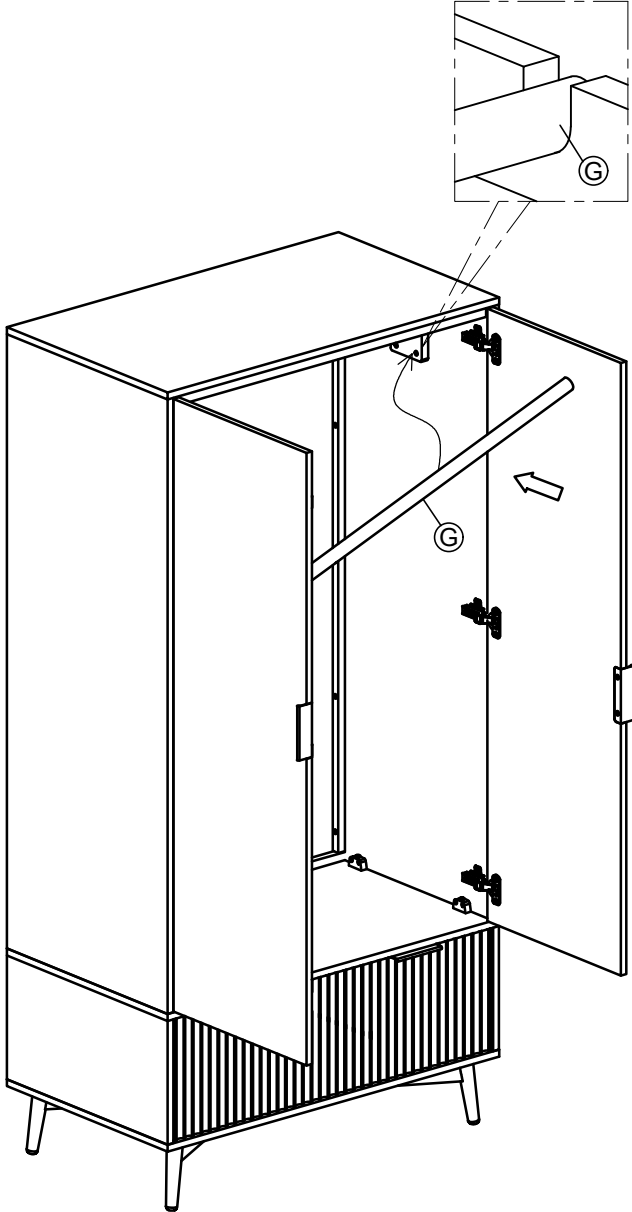


STEP 7

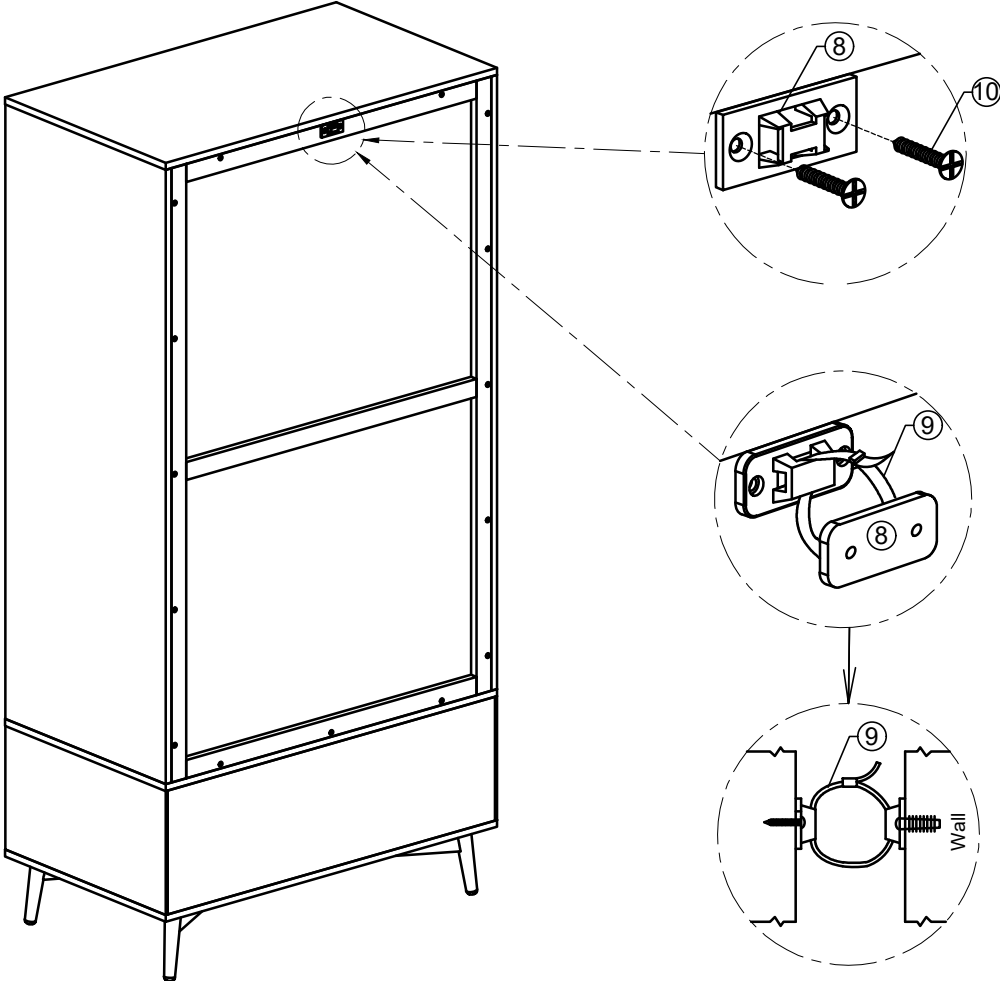


ASSEMBLY INSTRUCTION
G7363 - GENTS WARDROBE

STEP 8



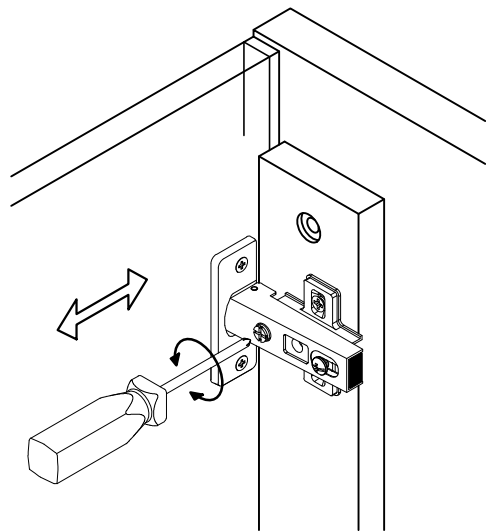
STEP 9



HINGE ADJUSTMENT INSTRUCTIONS

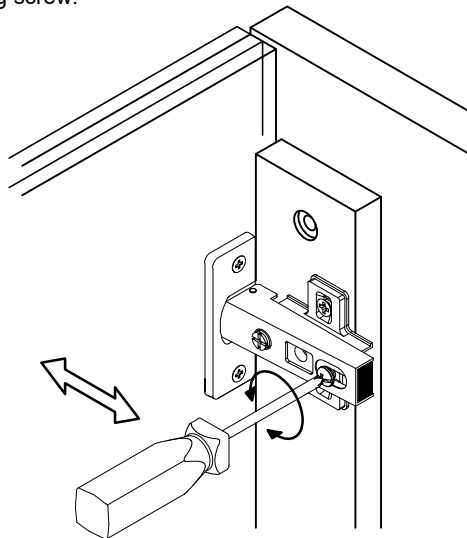
LATERAL ADJUSTMENT

by screw adjustment.



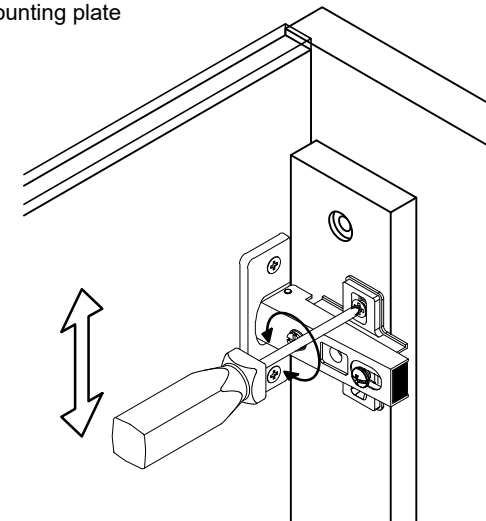
FRONT-TO-BACK

by slackening and retightening the hinge-arm mounting screw.

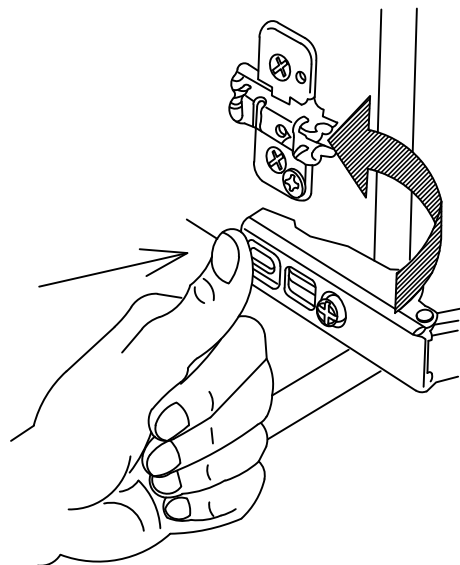


VERTICAL ADJUSTMENT

via slots on mounting plate by slackening and retightening the screws on mounting plate



ASSEMBLY



DISASSEMBLY

