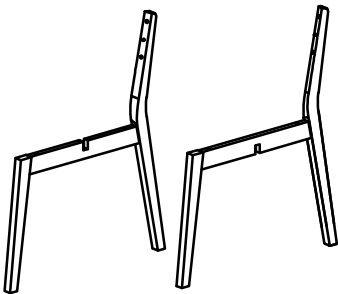
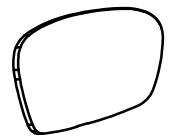
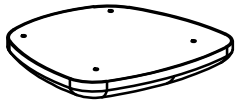


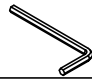
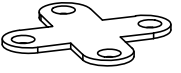


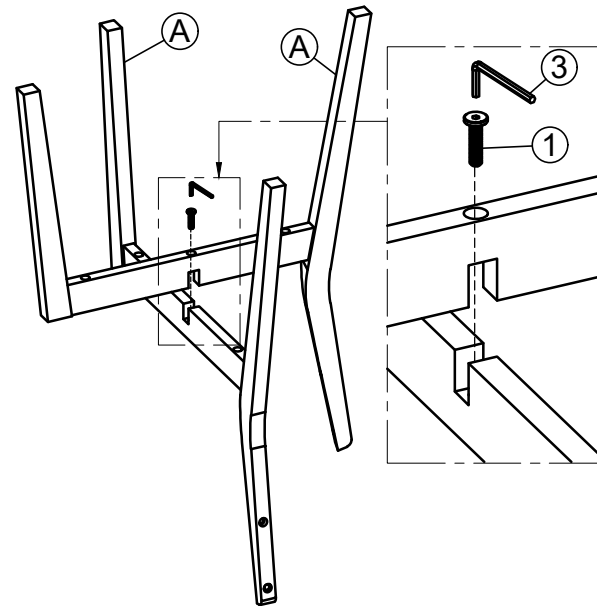


ASSEMBLY INSTRUCTION

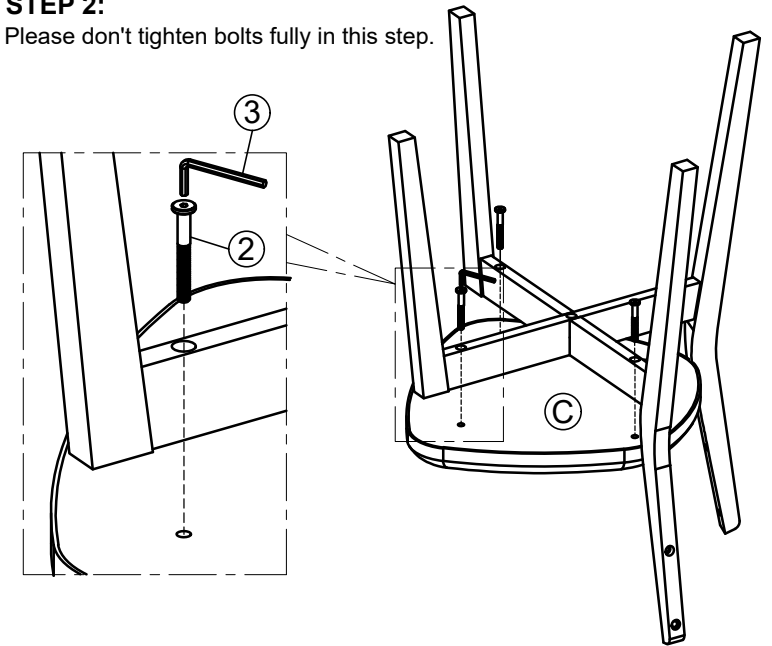
G7356 - DINING CHAIR

No	PARTS NAME	Q.ty
A	 Legs Frame: (left - Right)	2
B	 Back Panel	1
C	 Seat Pad	1
No	LIST OF HARDWARE	Q.ty
①	Bolts M6 x 30 	5
②	Bolts M6 x 60 	4
③	Allen key (K4) 	1
④	X Bracket 	1
⑤	Flats Screw Ø4x20 	4
Screwdriver (not included) 		

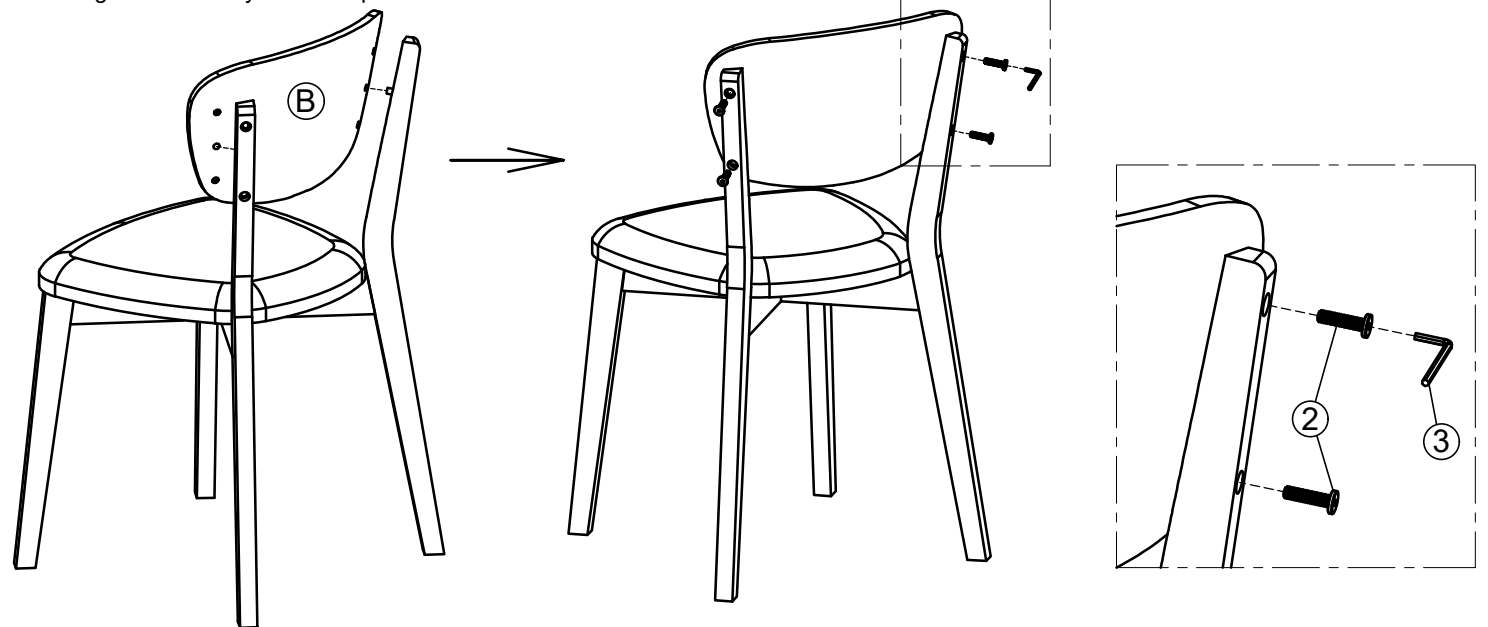
STEP 1: Please don't tighten bolts fully in this step.



STEP 2:
Please don't tighten bolts fully in this step.



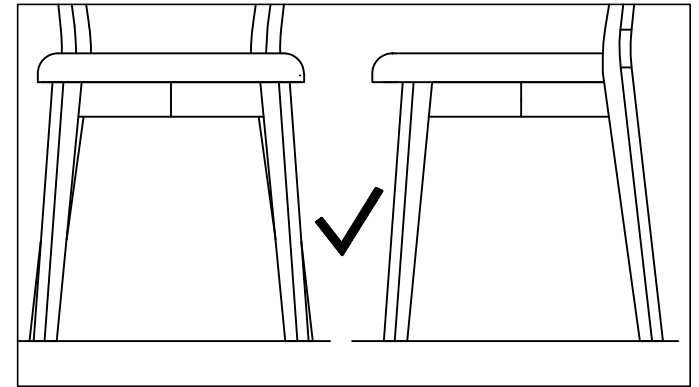
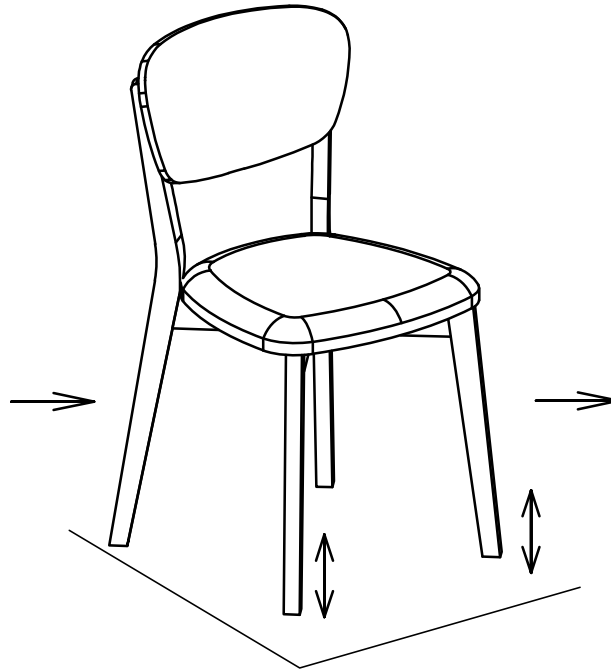
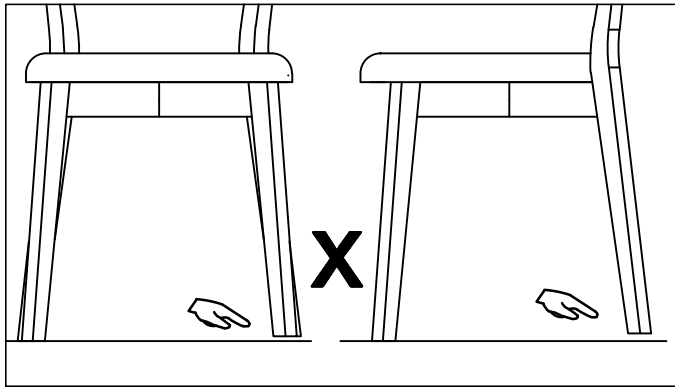
STEP 3:
Please don't tighten bolts fully in this step.



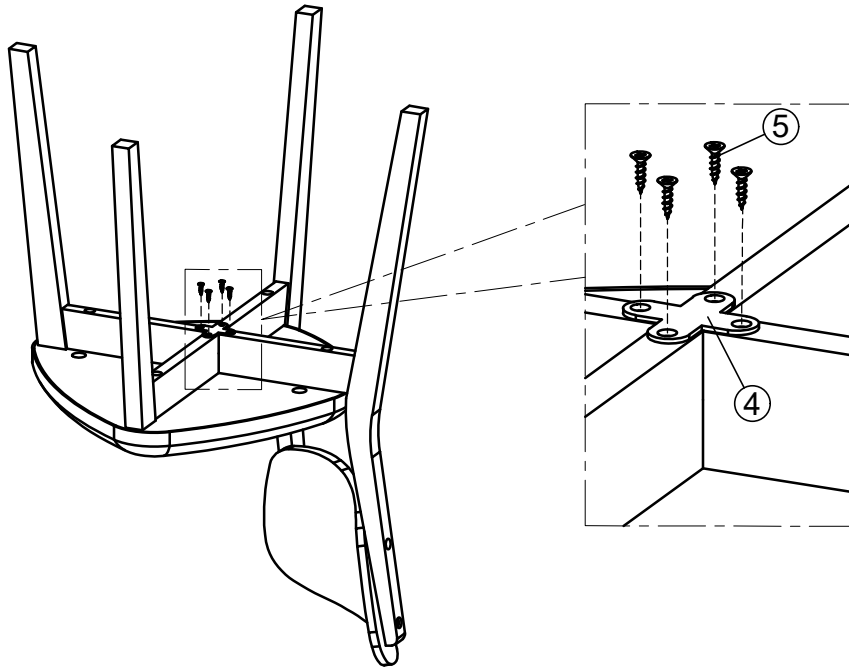
ASSEMBLY INSTRUCTION

G7356 - DINING CHAIR

STEP 4: Check all legs are in the same level, as shown,
then tighten all bolts fully.



STEP 5



FINAL

