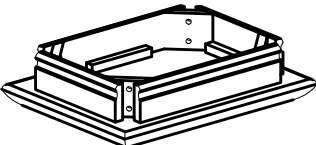
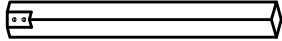






ASSEMBLY INSTRUCTION STOOL

No	Name of Component	Q.ty
(A)	 Seat Frame	1
(B)	 Legs	4

No	Name of Hardware	Q.ty
(1)	 Bolt M6 x 45	8
(2)	 Washer Ø7/Ø15 x 1	8
(3)	 Spring Washer Ø7/Ø10	8
(4)	 Allen key (K4)	1

