





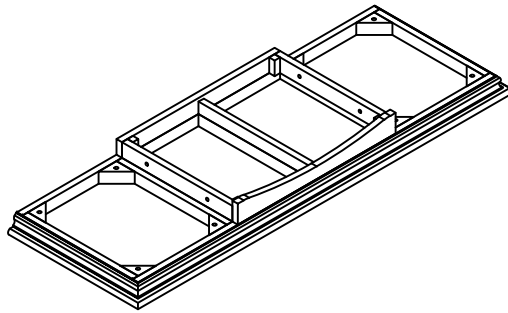


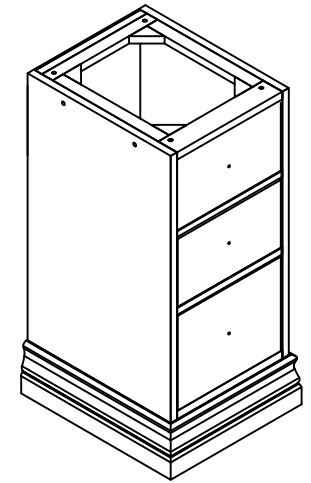
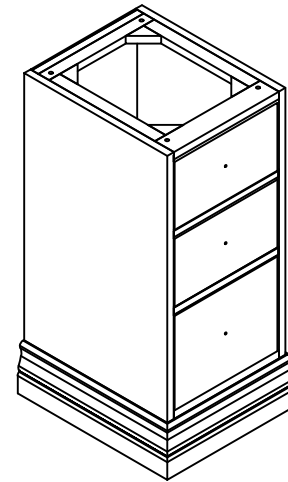
ASSEMBLY INSTRUCTION

DOUBLE PEDESTAL DRESSING TABLE

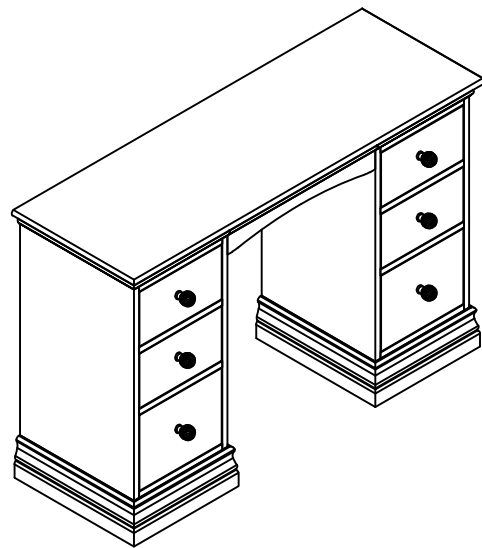
No	Hardware	Qty
1	Bolt M6x35 	12
2	Flat washer M6 	12
3	Allen key K4 	1
4	Bracket 	4
5	Tie 	2
6	Screw Ø4x20 	4



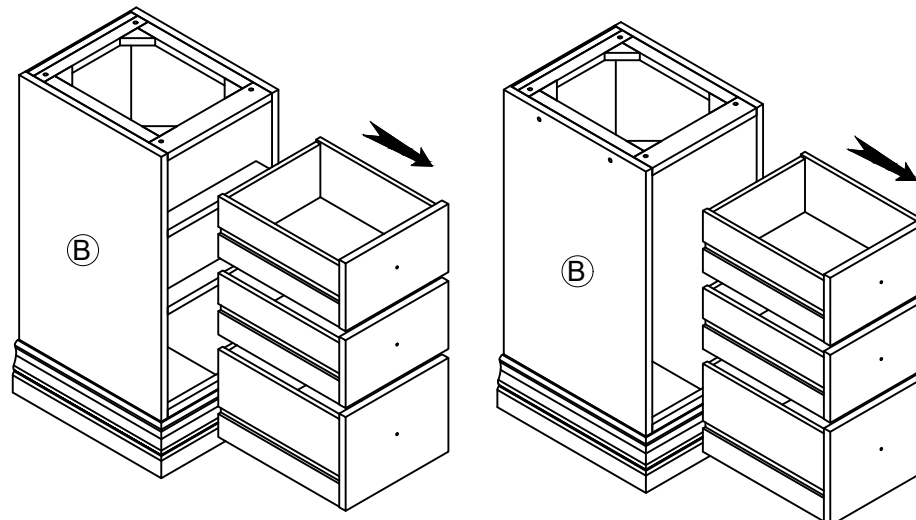
A: Top Frame



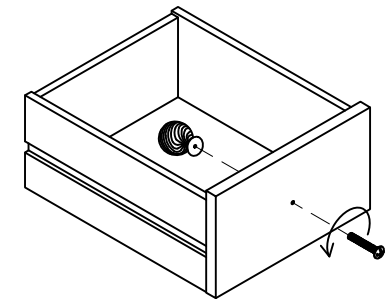
B: Base Frame (Left - Right)



STEP 1



STEP 2



STEP 3

