








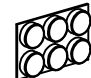
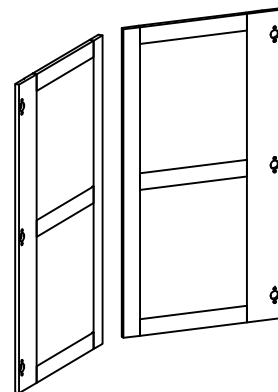


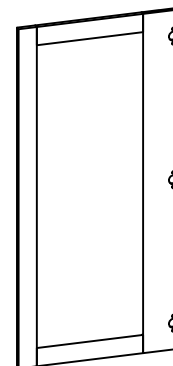
# ASSEMBLY INSTRUCTION

## TRIPLE WARDROBE 6 DRAWER

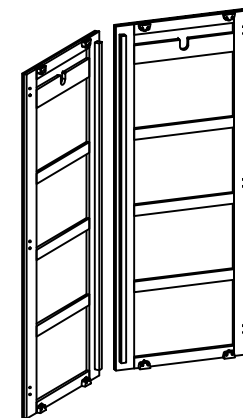
No	Hardware	Qty
1	Hinge set 	9
2	Flats head Screw Ø3.5 x 15 	36
3	Screw M 5x18 	16
4	Round head Screw Ø4 x 15 	54
5	Handle with bolt 	11
6	Bracket 	4
7	Tie 	2
8	Screw Ø4 x 20 	4
9	Screw Ø4 x 40 	2
10	Plastic nut 	6



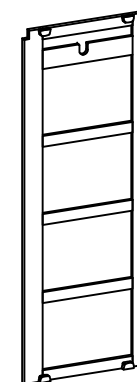
A x 2 (L-R) : Panel doors



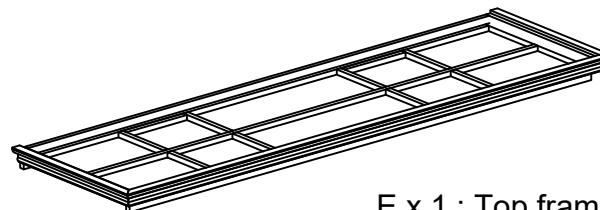
B x 1 : Mirror door



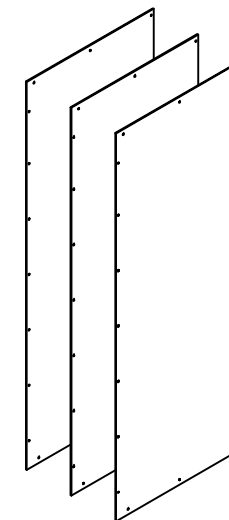
C x 2 (L-R) : Side panel



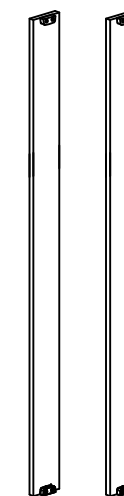
D x 1  
Partition panel



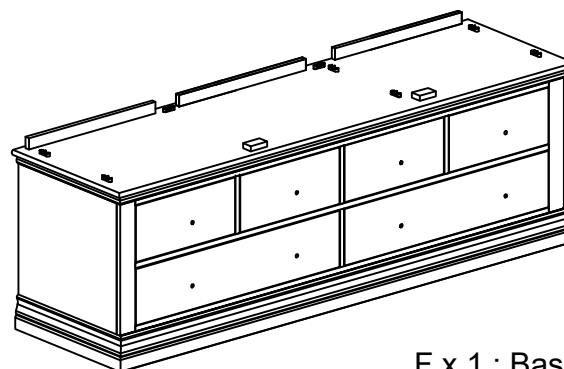
E x 1 : Top frame



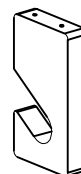
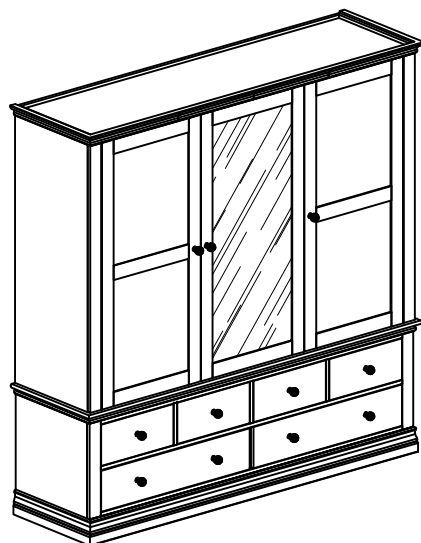
G x 3 : Back panels



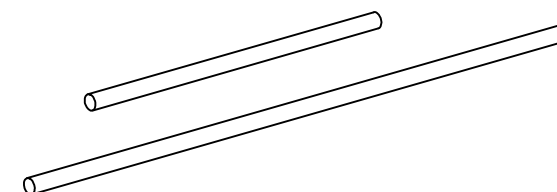
H x 2 : Back vertical rail



F x 1 : Base



I x 1 : Base

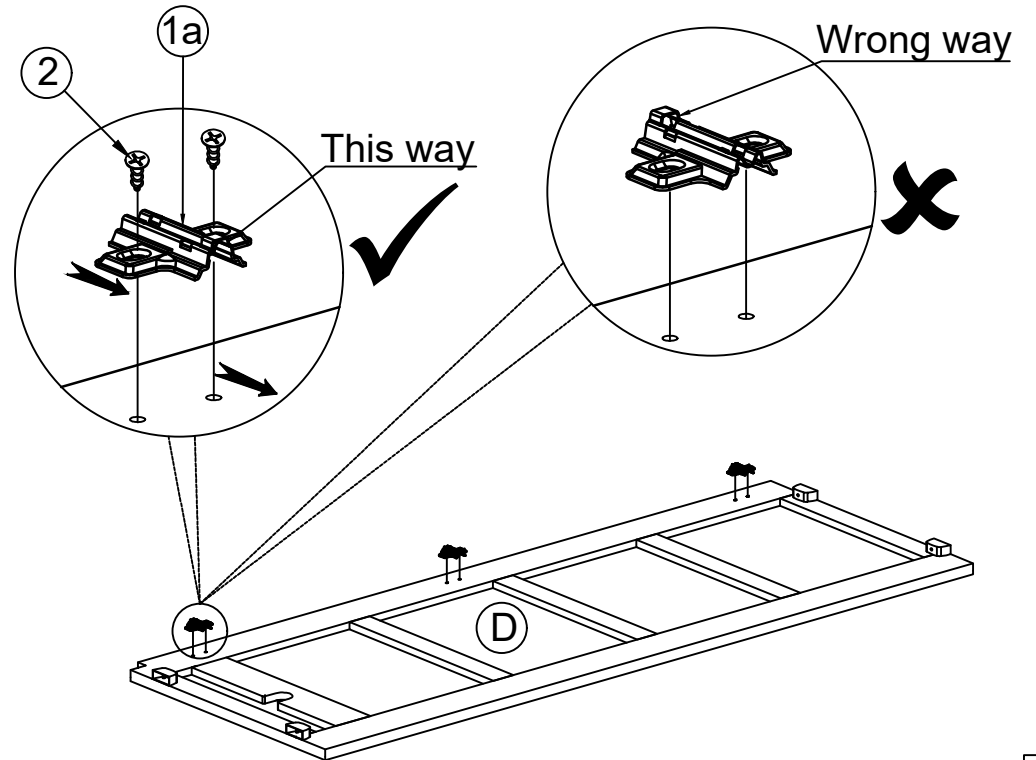
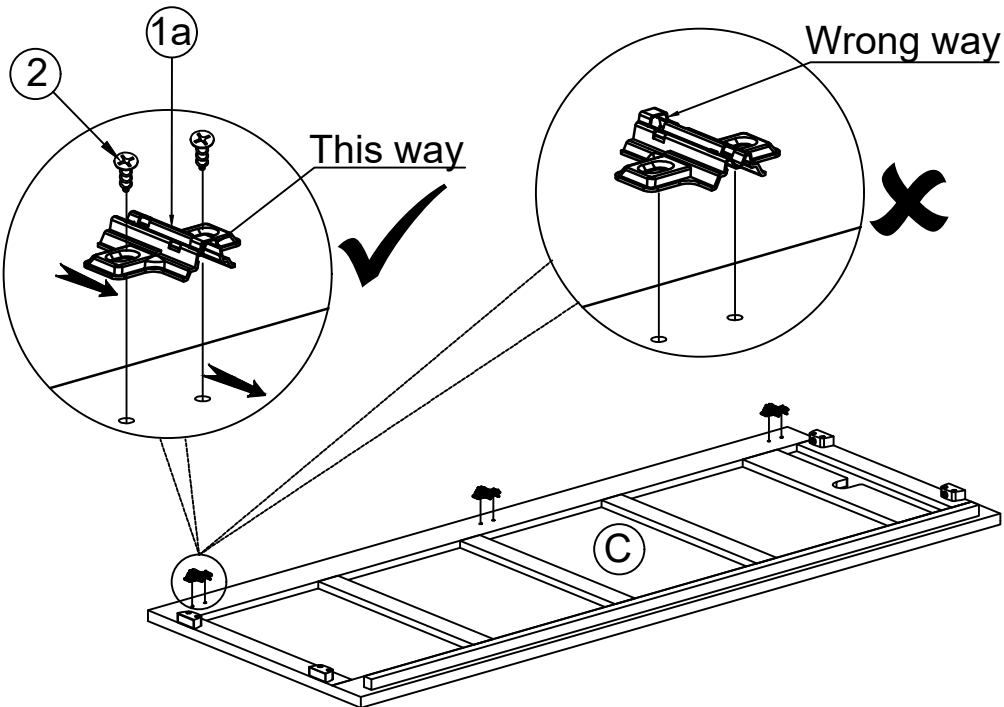
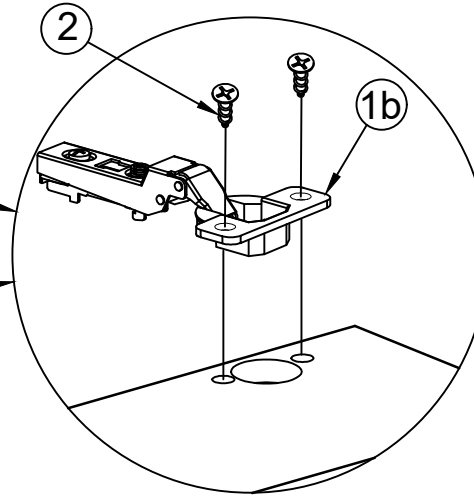
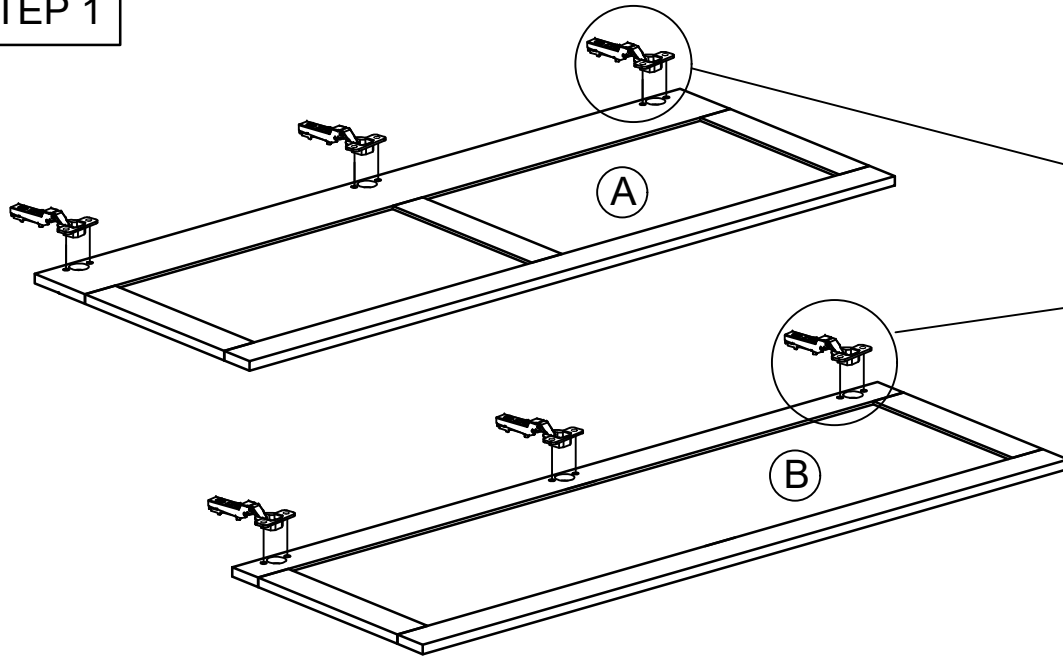


J x 2 : Hanging rail

# ASSEMBLY INSTRUCTION

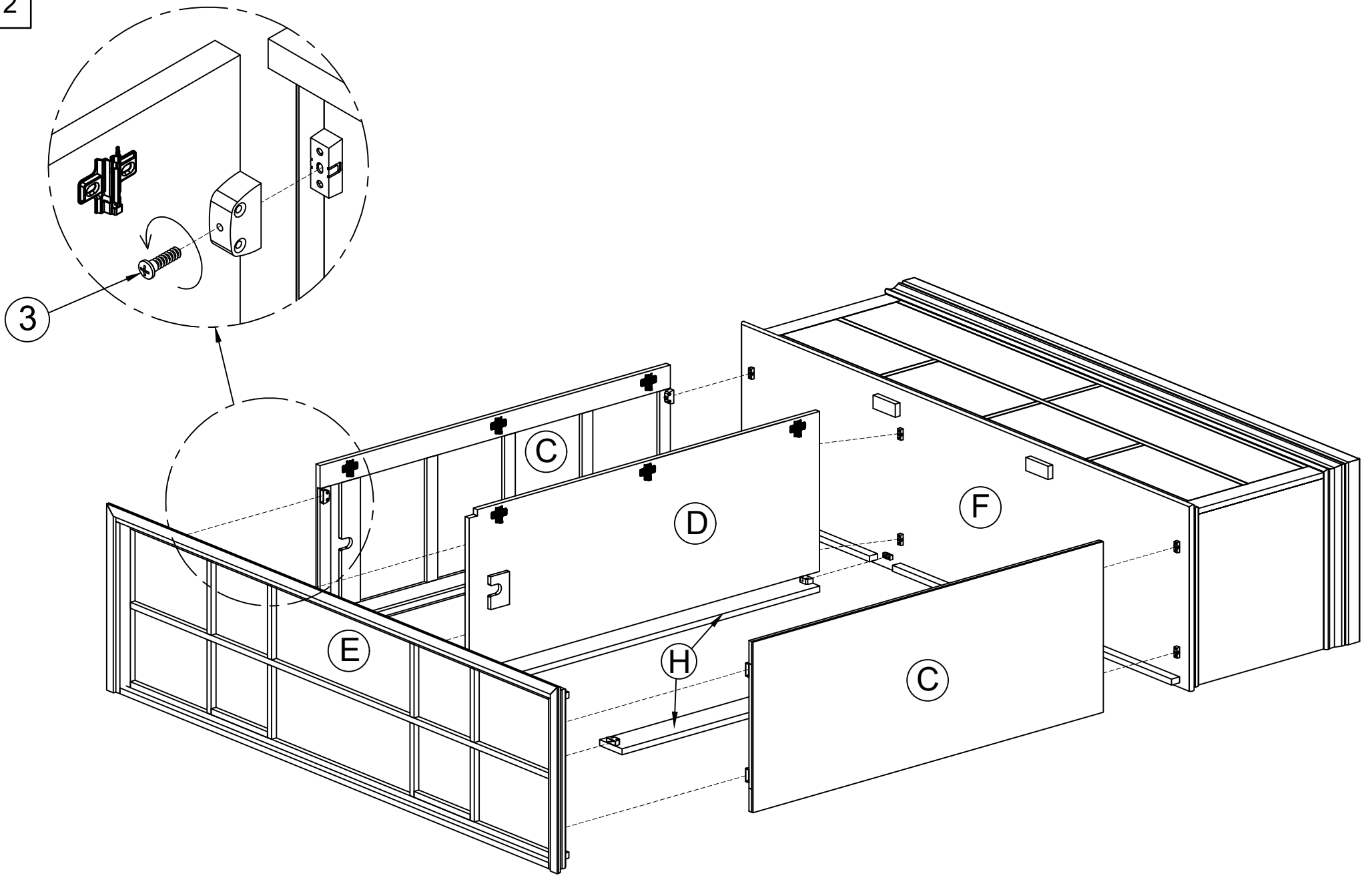
## TRIPLE WARDROBE 6 DRAWER

STEP 1



ASSEMBLY INSTRUCTION  
TRIPLE WARDROBE 6 DRAWER

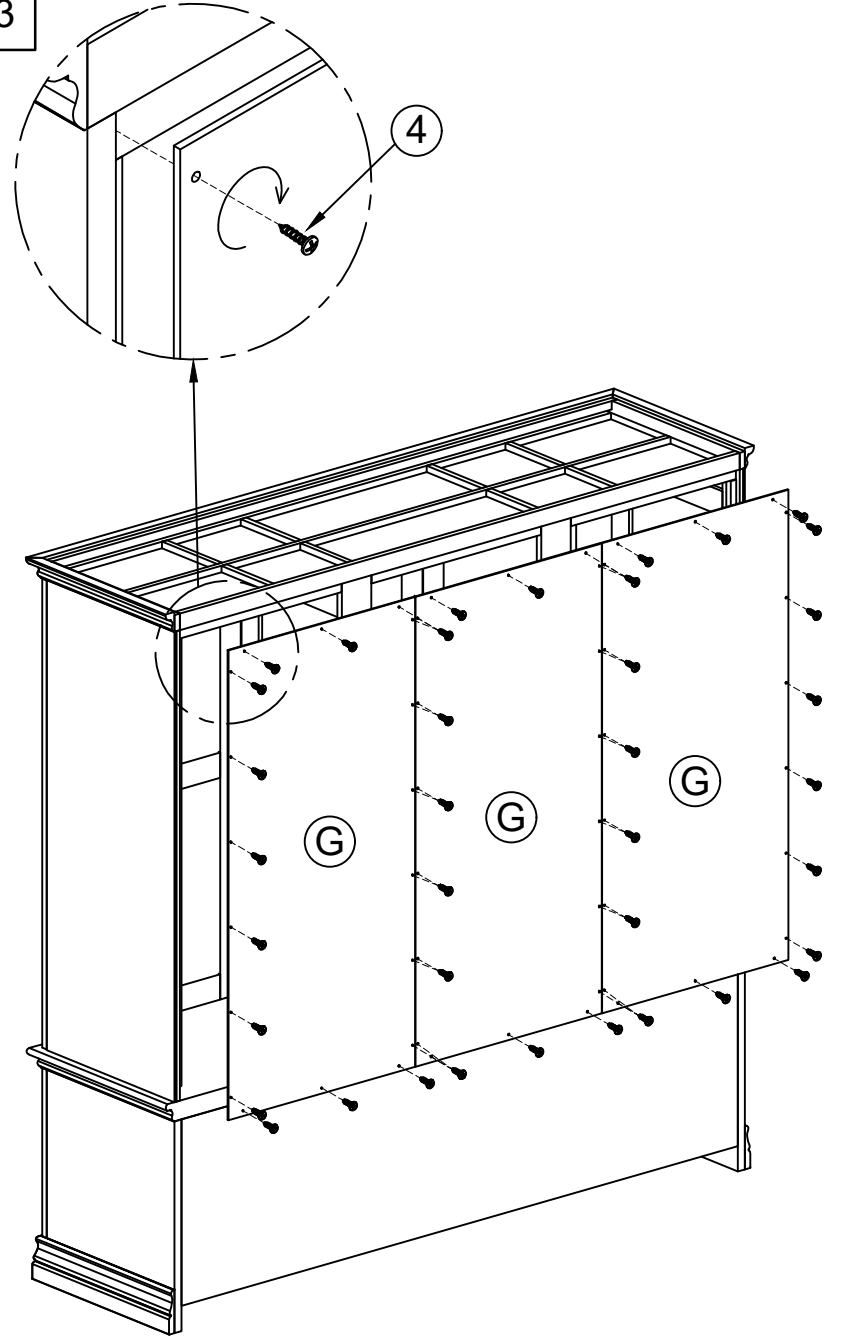
STEP 2



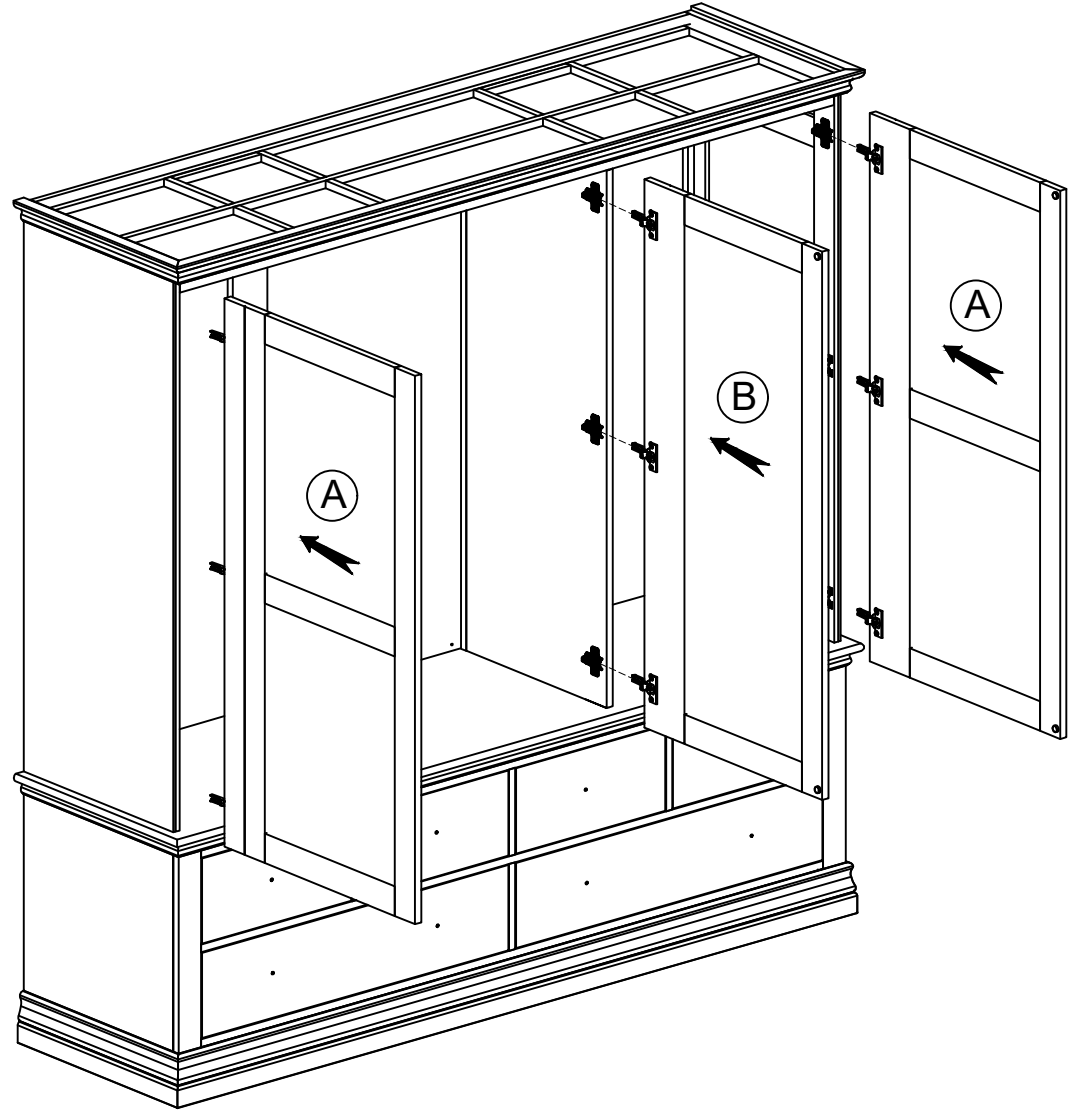
# ASSEMBLY INSTRUCTION

## TRIPLE WARDROBE 6 DRAWER

STEP 3



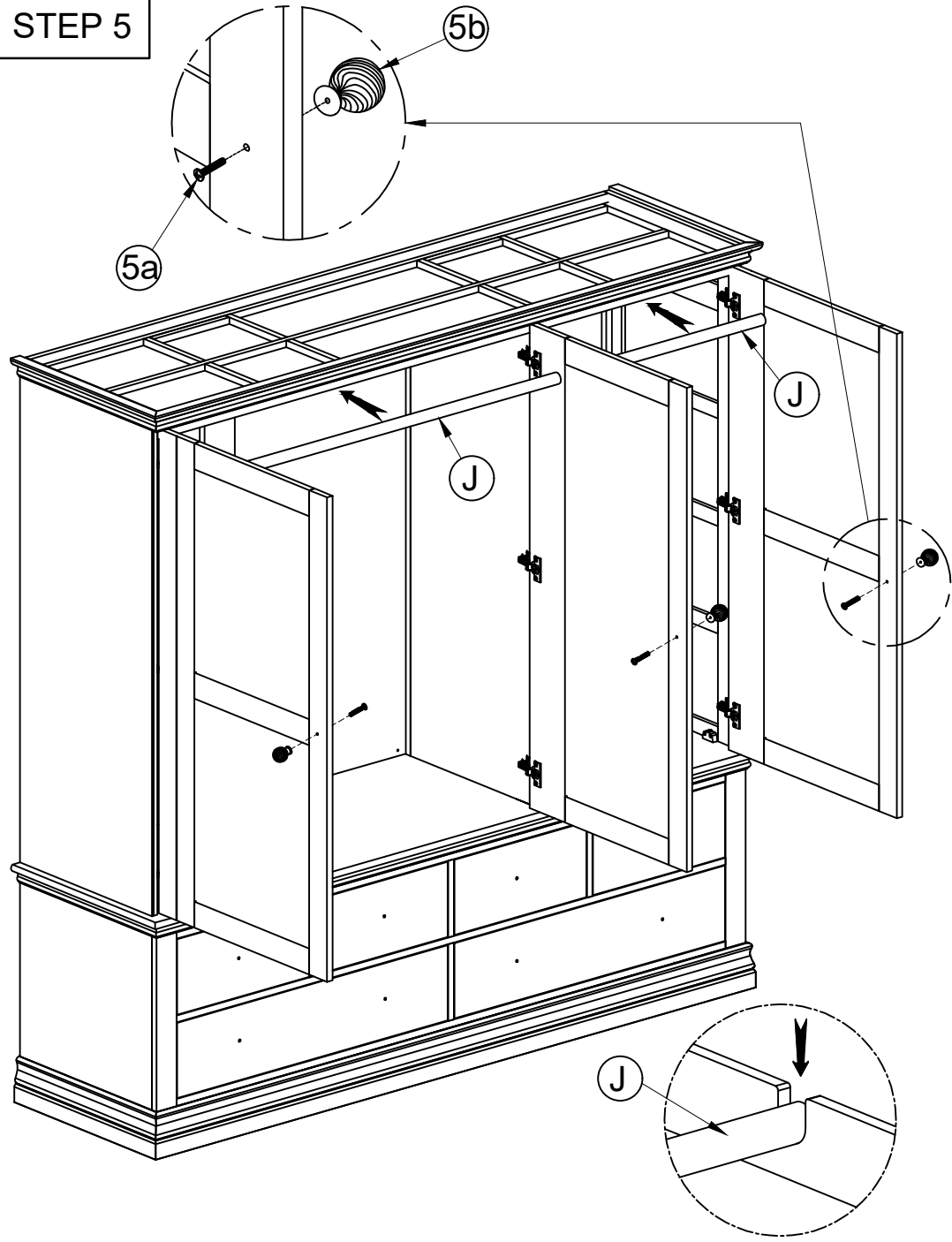
STEP 4



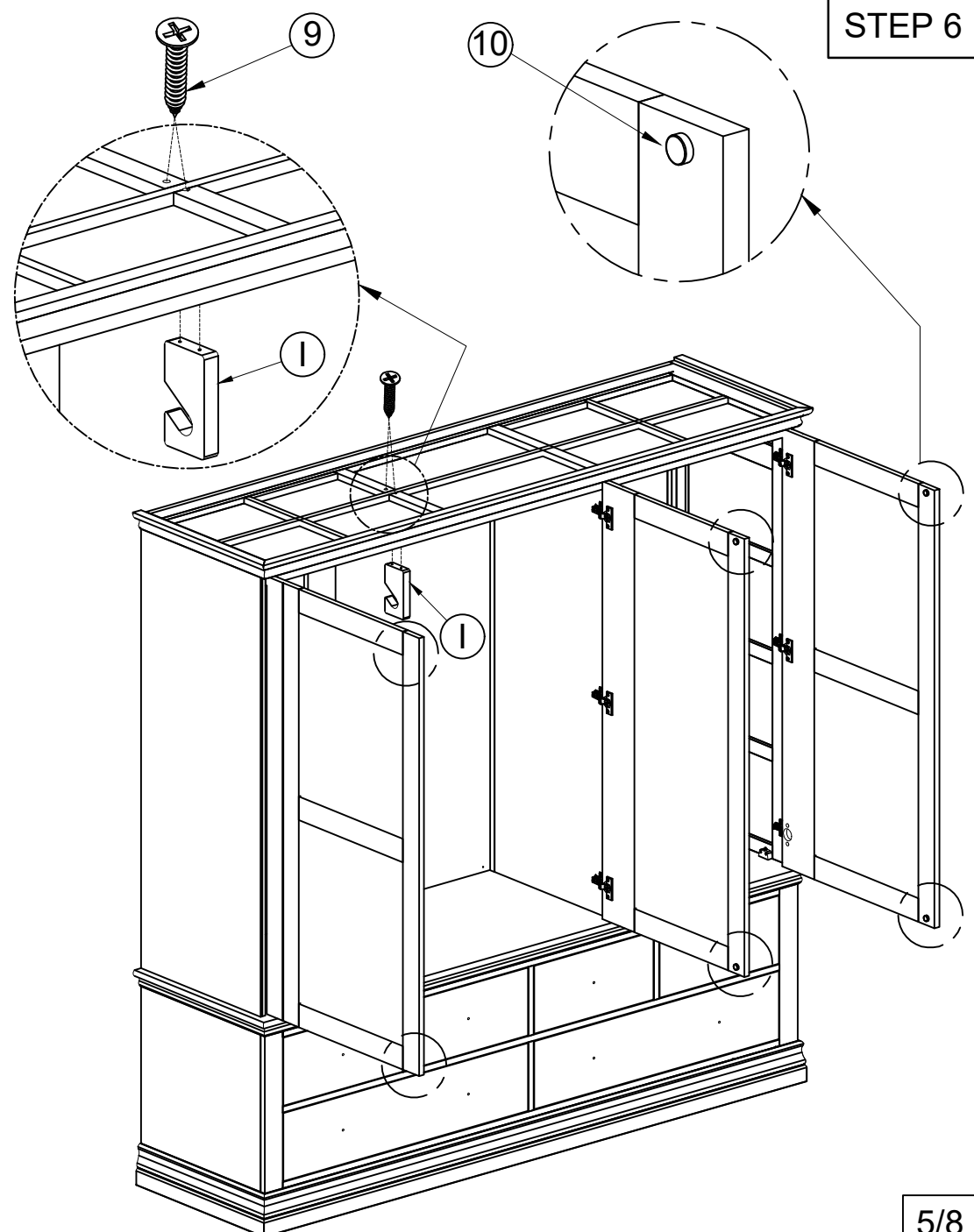
# ASSEMBLY INSTRUCTION

## TRIPLE WARDROBE 6 DRAWER

STEP 5

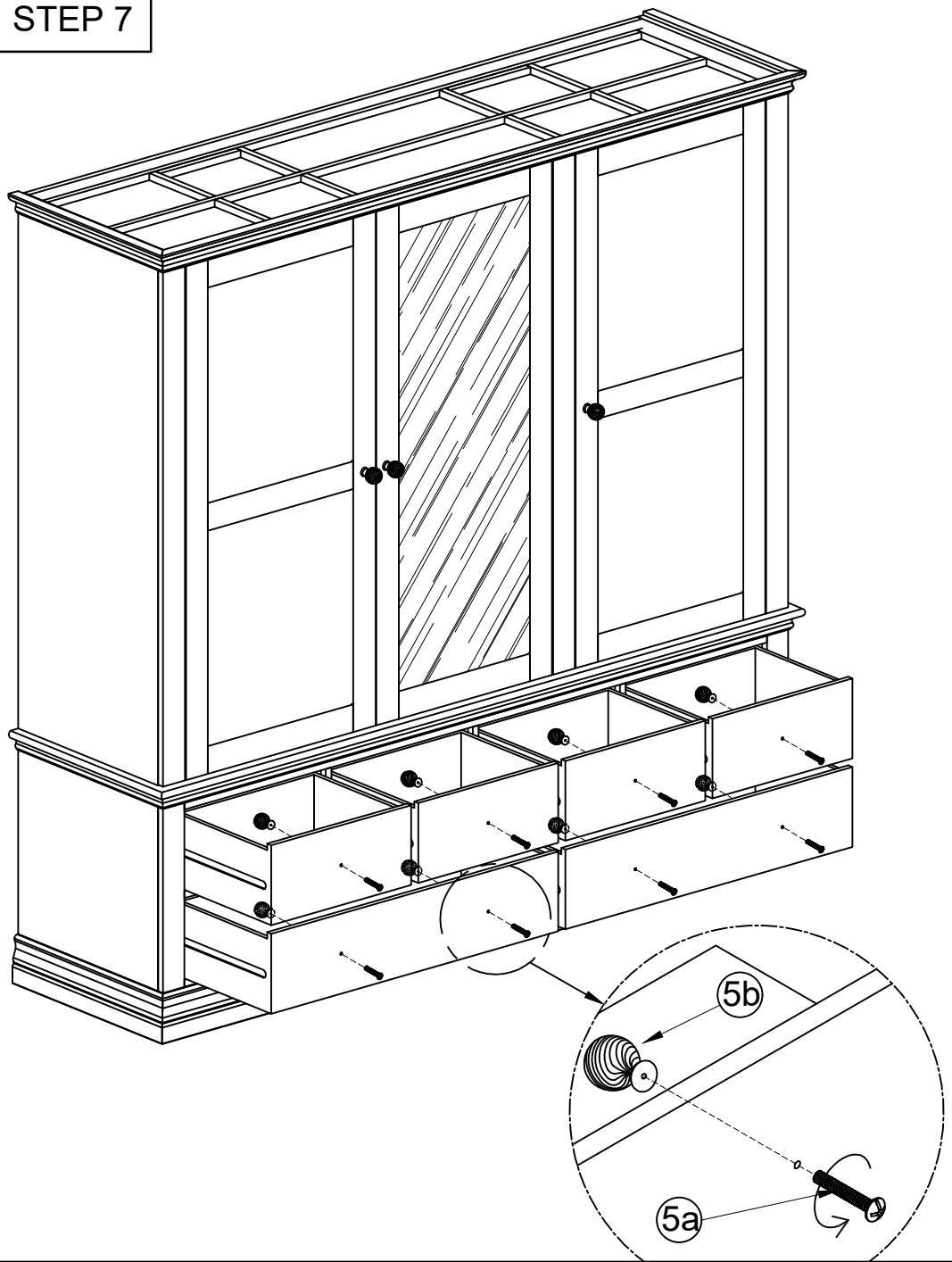


STEP 6

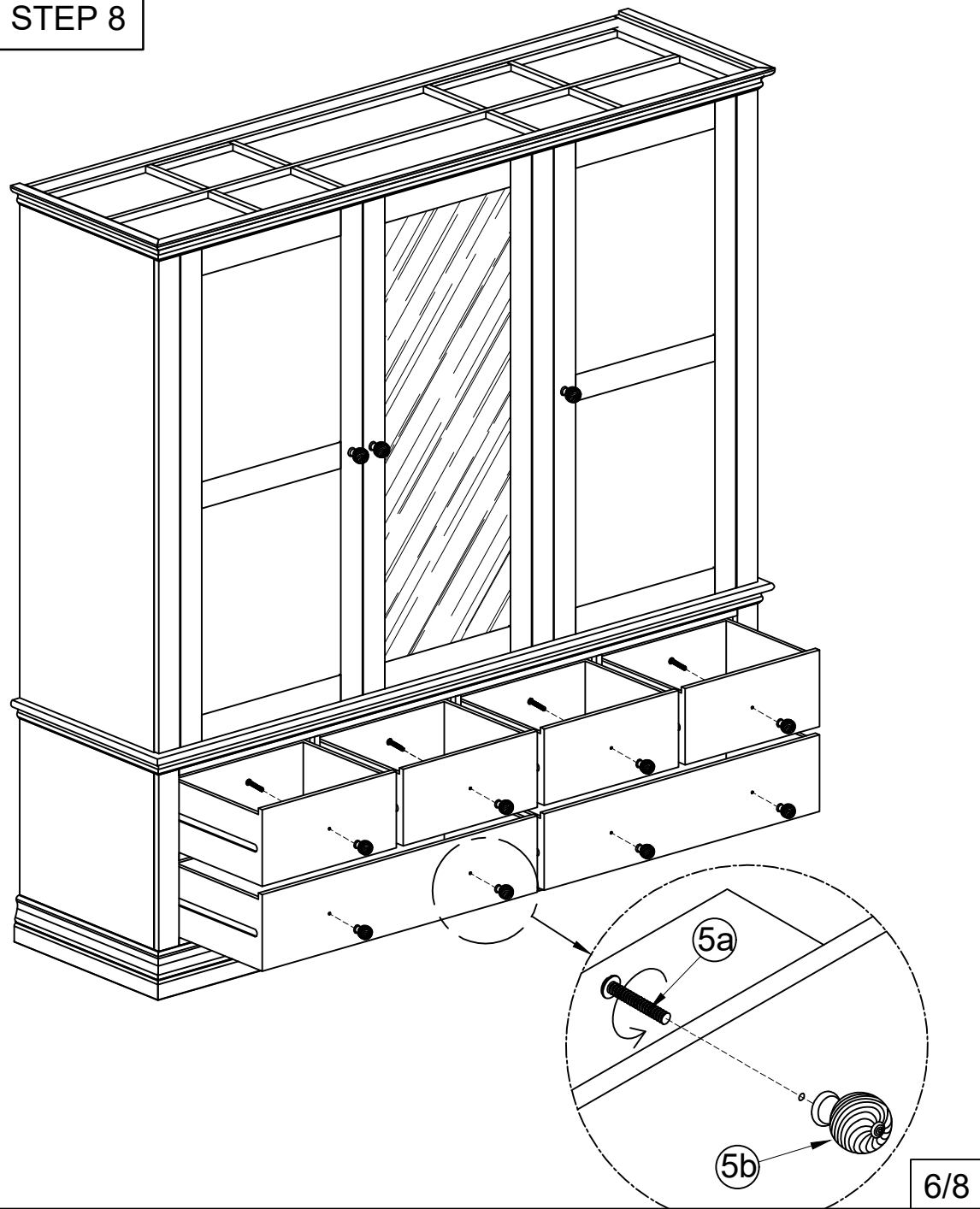


ASSEMBLY INSTRUCTION  
TRIPLE WARDROBE 6 DRAWER

STEP 7



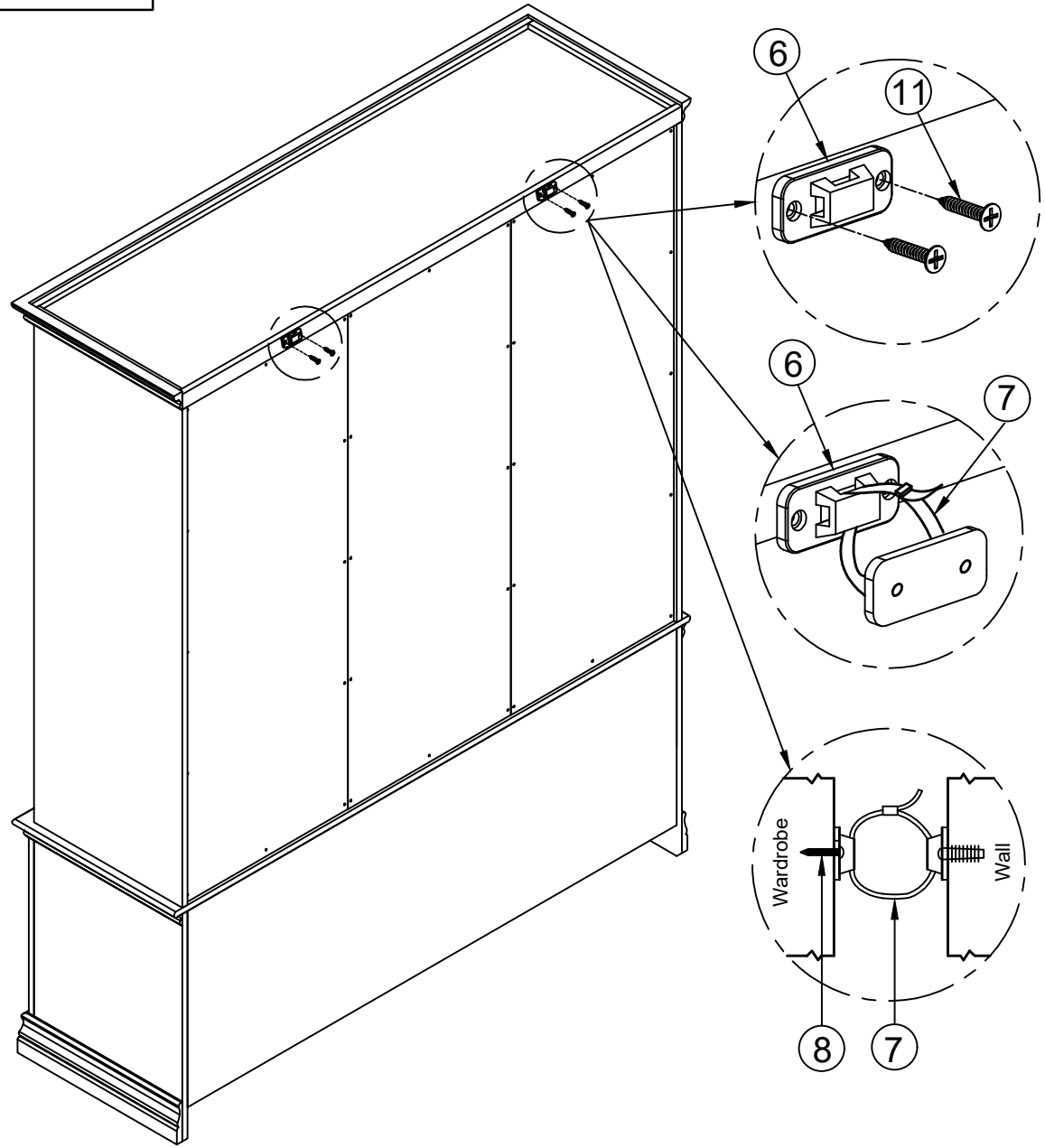
STEP 8



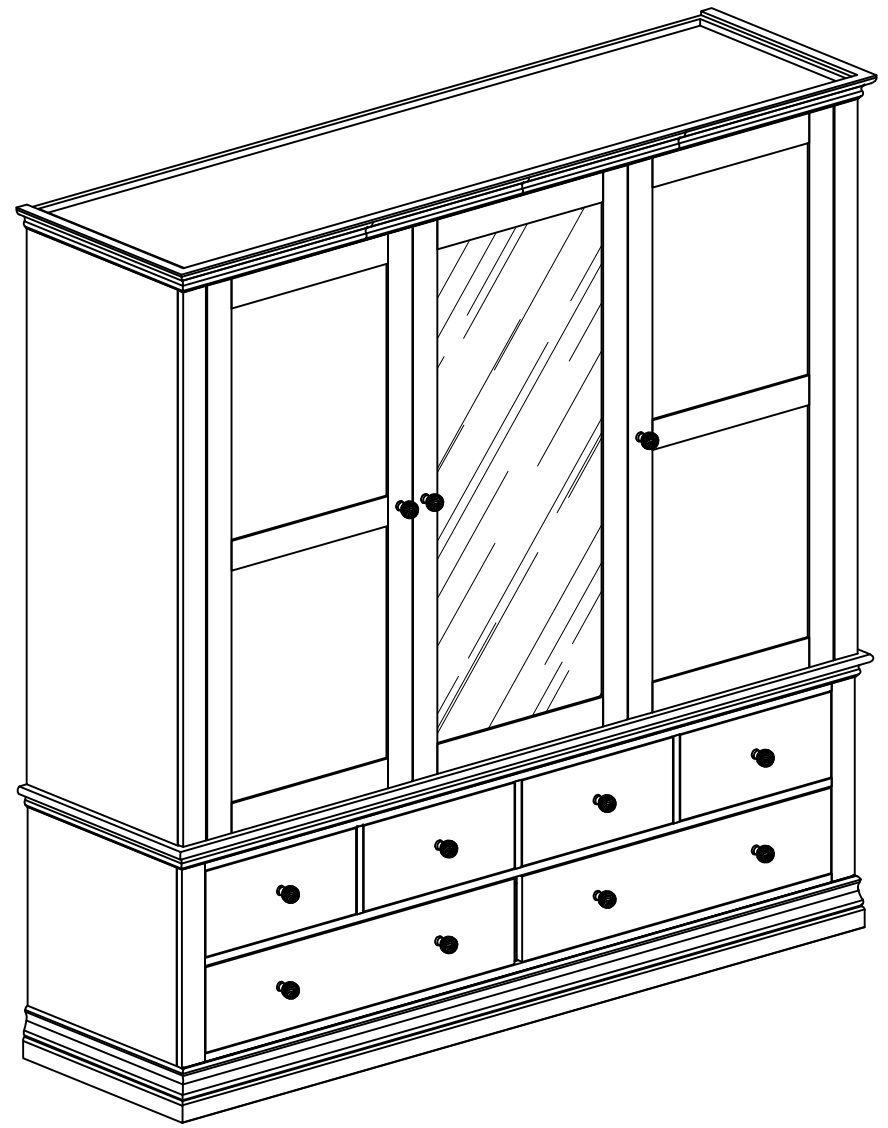
# ASSEMBLY INSTRUCTION

## TRIPLE WARDROBE 6 DRAWER

STEP 9



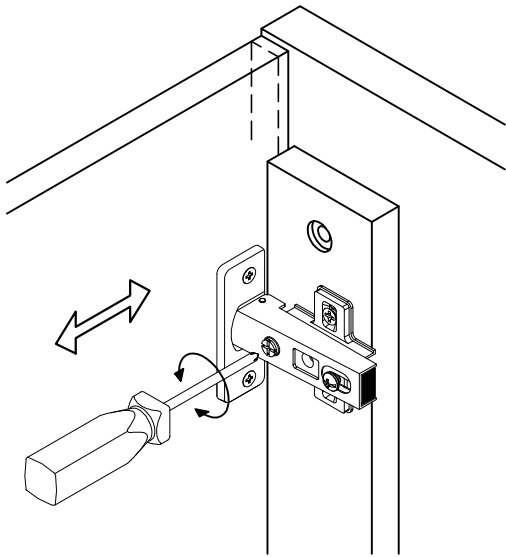
FINAL



# HINGE ADJUSTMENT INSTRUCTIONS

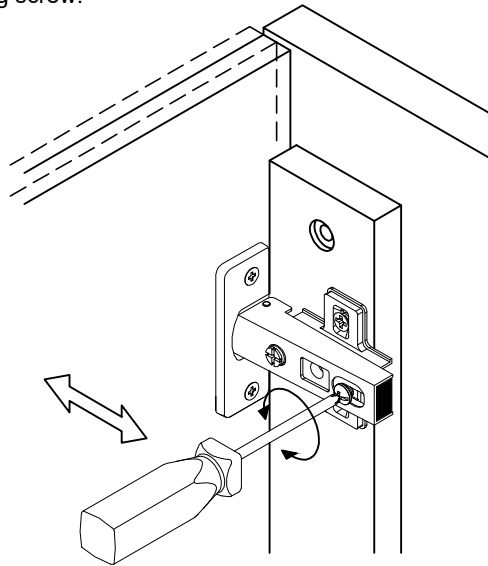
## LATERAL ADJUSTMENT

by screw adjustment.



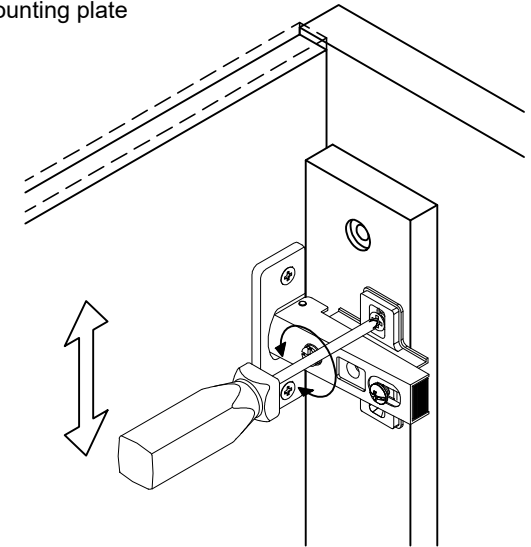
## FRONT-TO-BACK

by slackening and retightening the hinge-arm mounting screw.

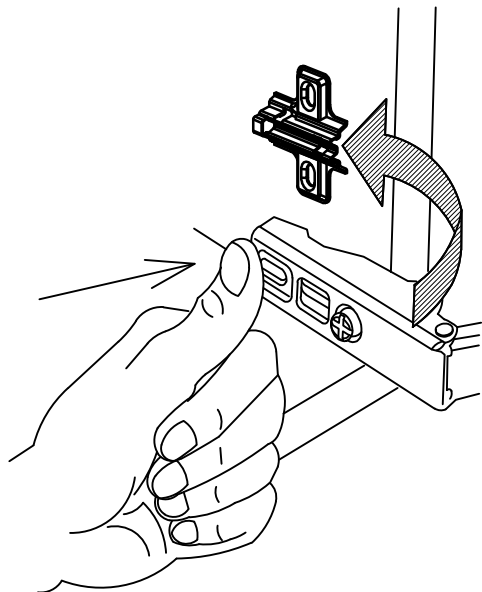


## VERTICAL ADJUSTMENT

via slots on mounting plate by slackening and retightening the screws on mounting plate



## ASSEMBLY



## DISASSEMBLY

