








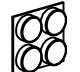
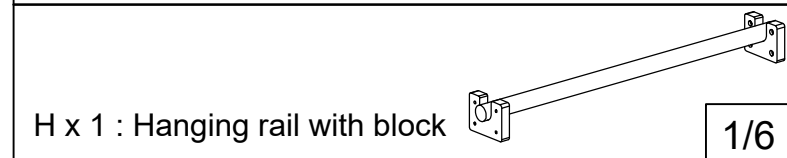
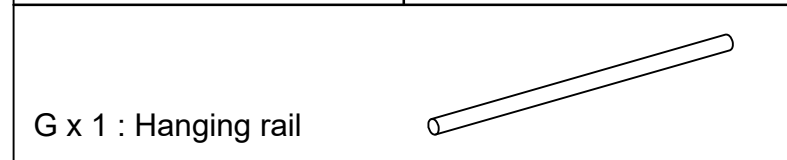
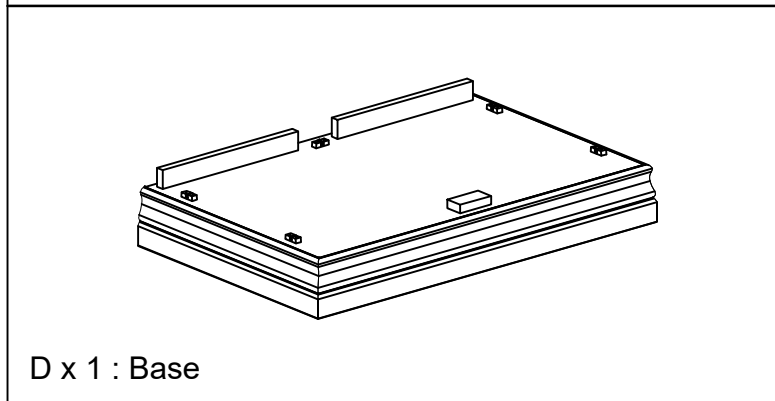
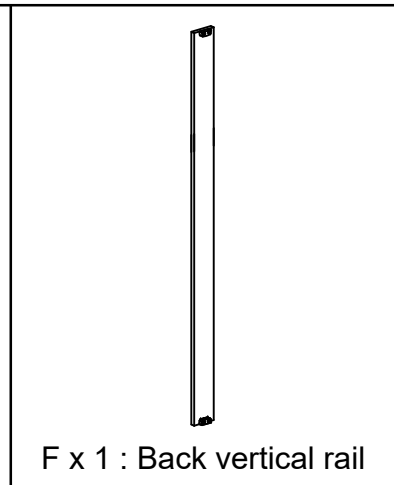
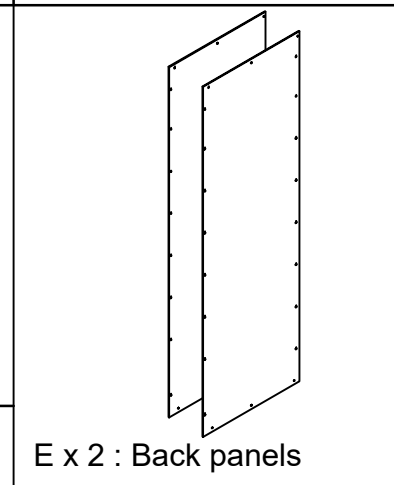
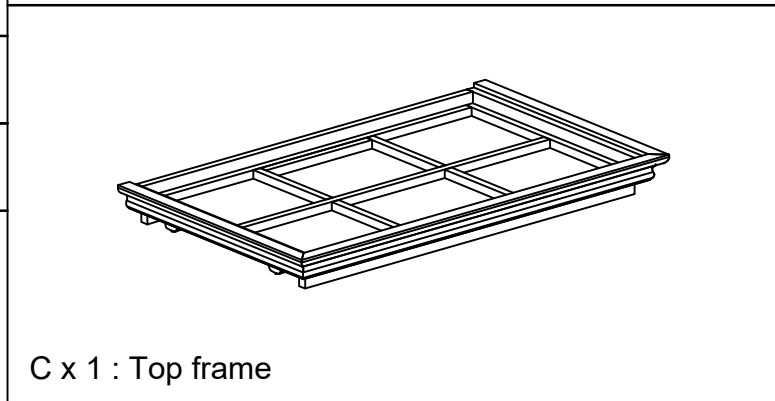
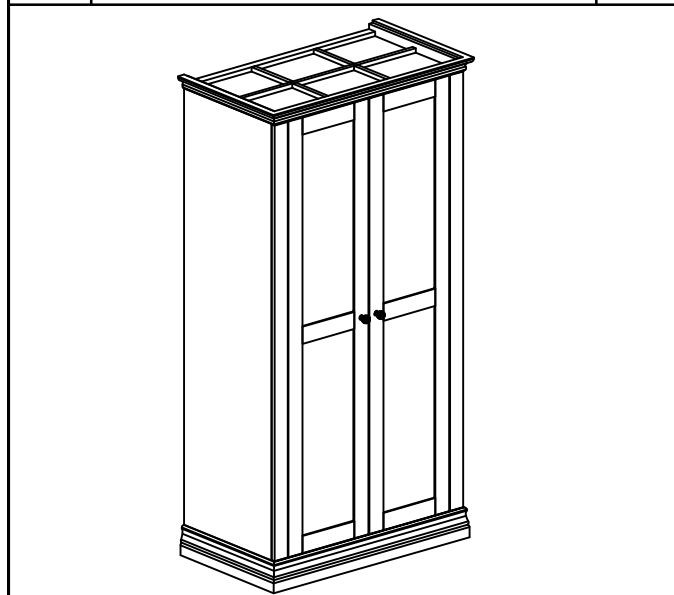
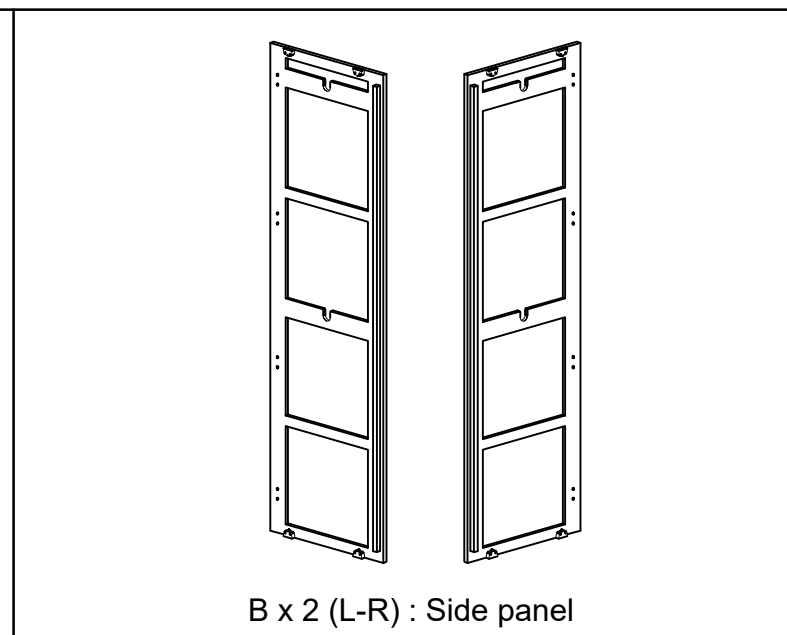
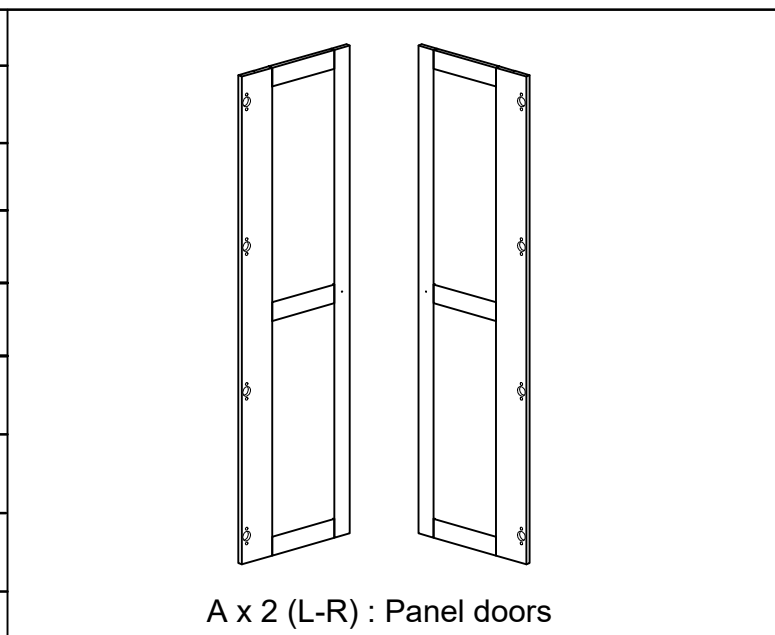


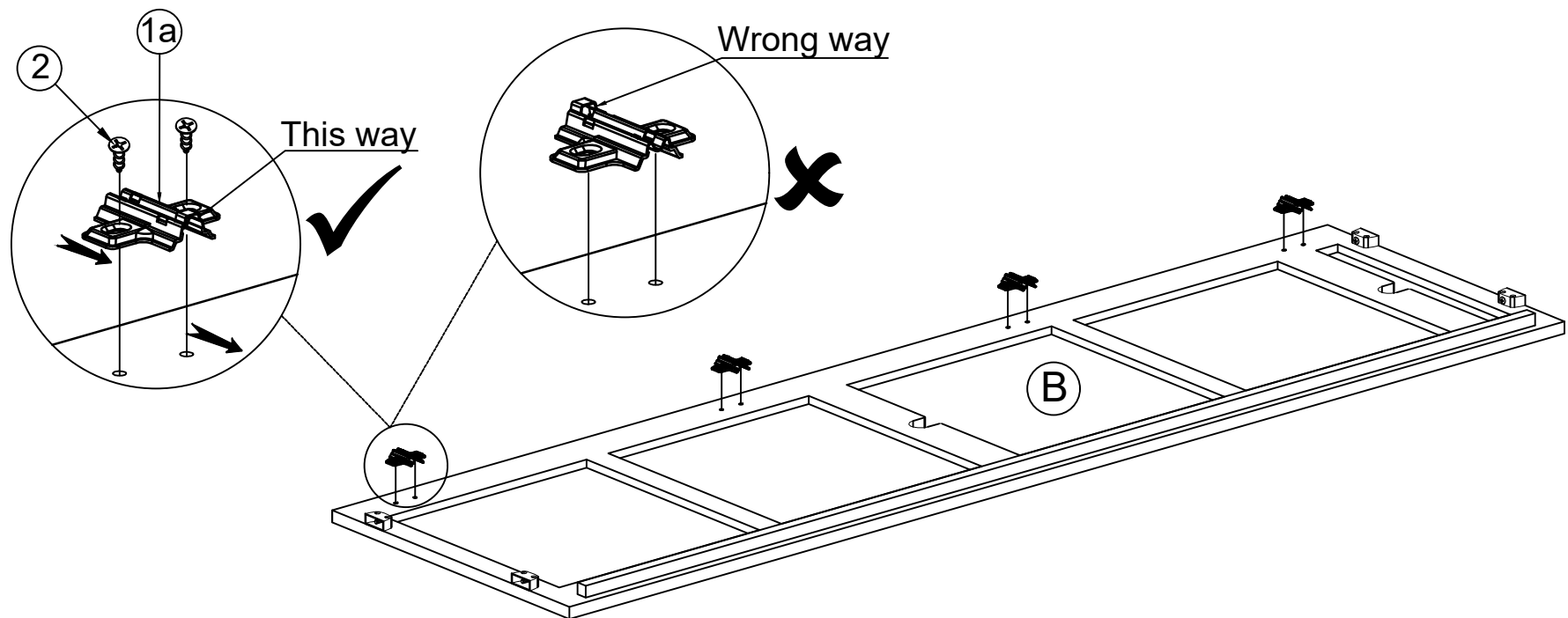
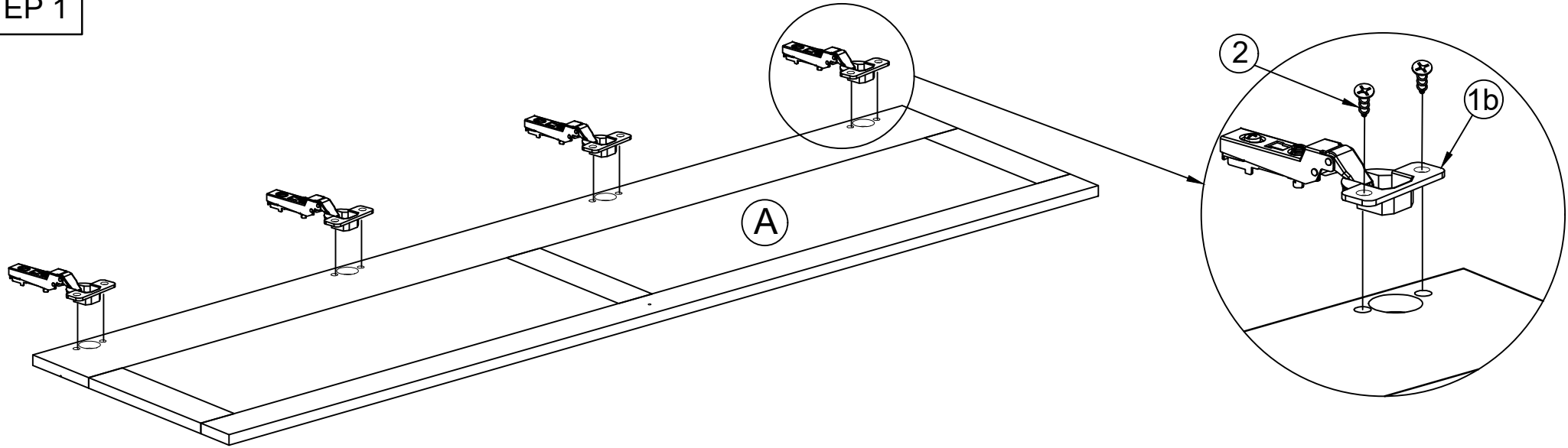
# ASSEMBLY INSTRUCTION FULL HANGING WARDROBE

No	Hardware	Qty
1	Hinge set 	8
2	Flats head Screw Ø3.5 x 15 	32
3	Screw M 5x18 	10
4	Round head Screw Ø4 x 15 	44
5	Handle with bolt 	2
6	Screw Ø4 x 30 	8
7	Bracket 	4
8	Tie 	2
9	Screw Ø4 x 20 	4
10	Plastic nut 	4



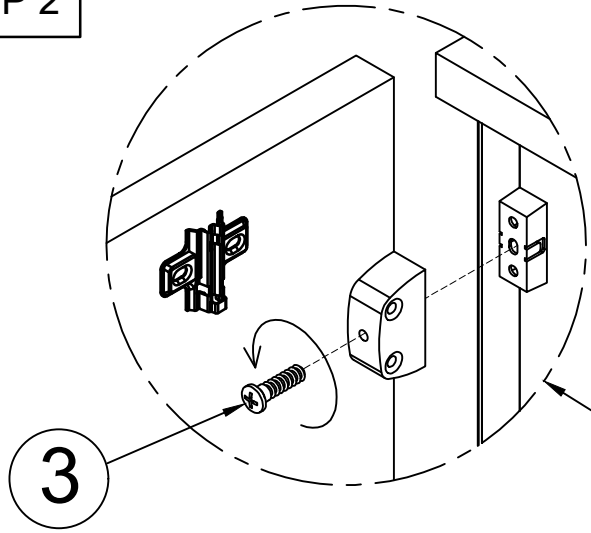
# ASSEMBLY INSTRUCTION FULL HANGING WARDROBE

STEP 1

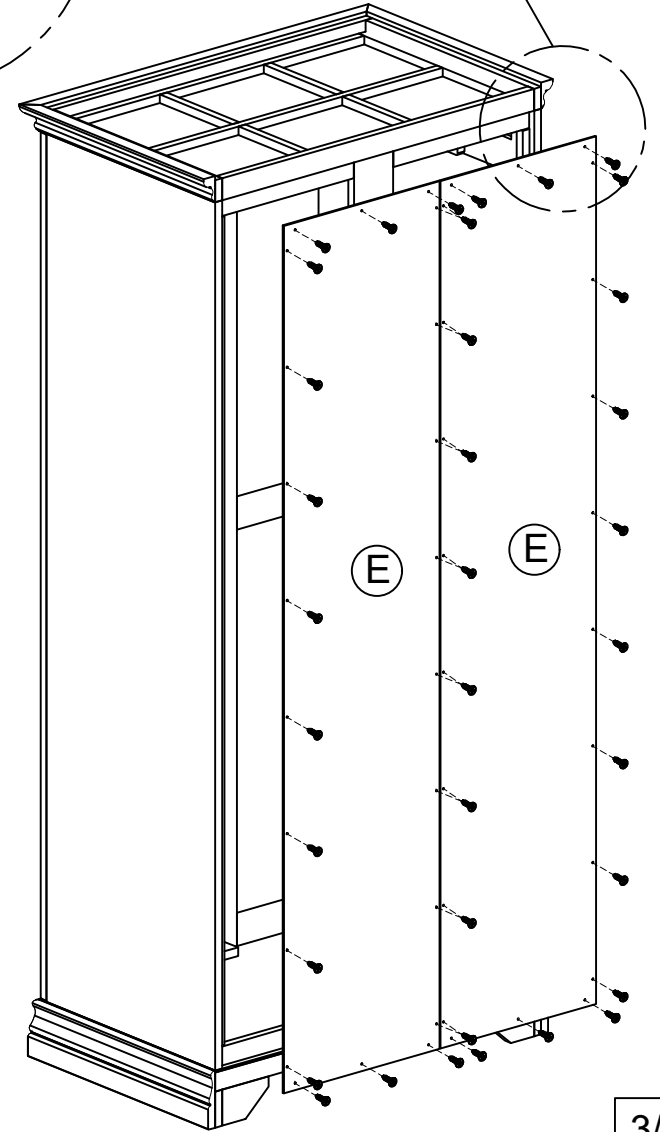
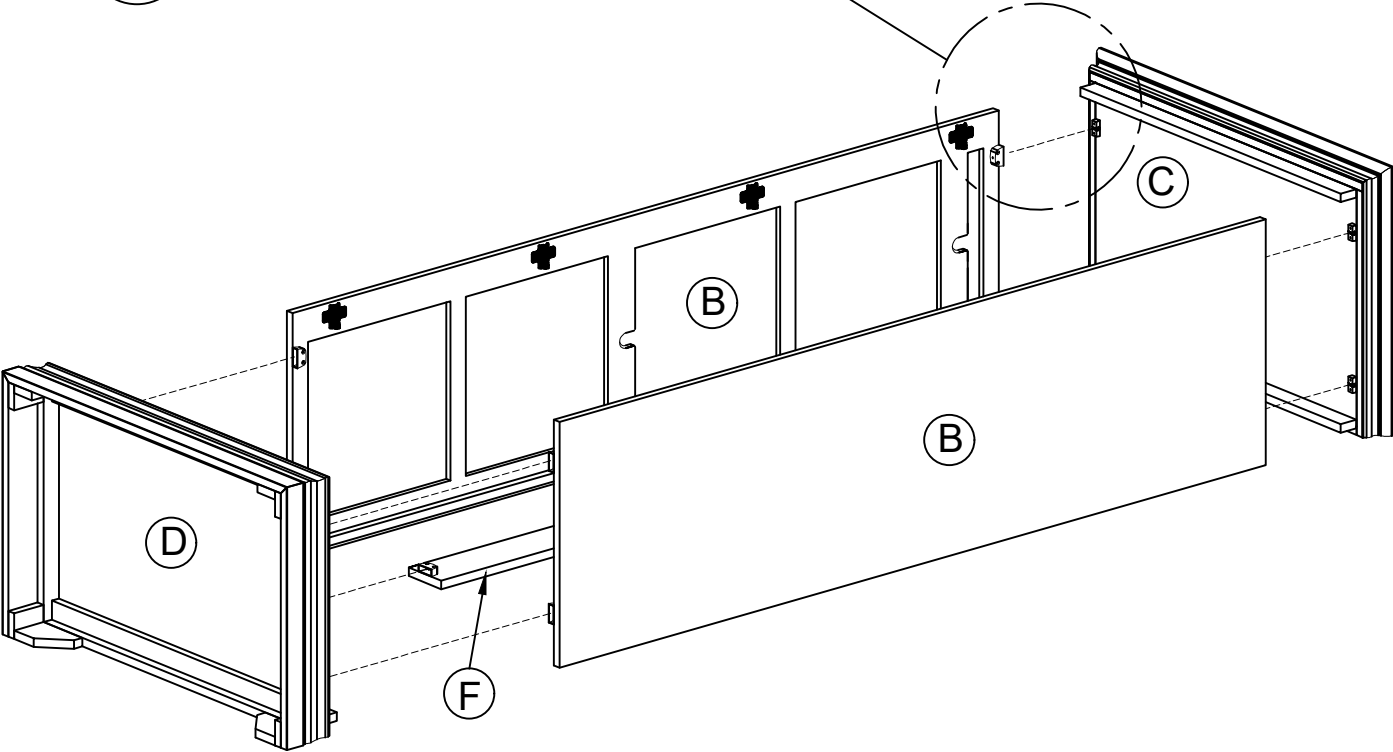
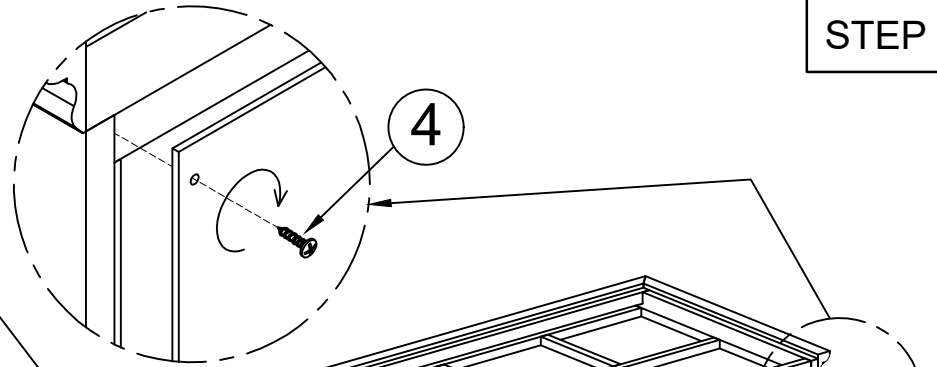


# ASSEMBLY INSTRUCTION FULL HANGING WARDROBE

STEP 2

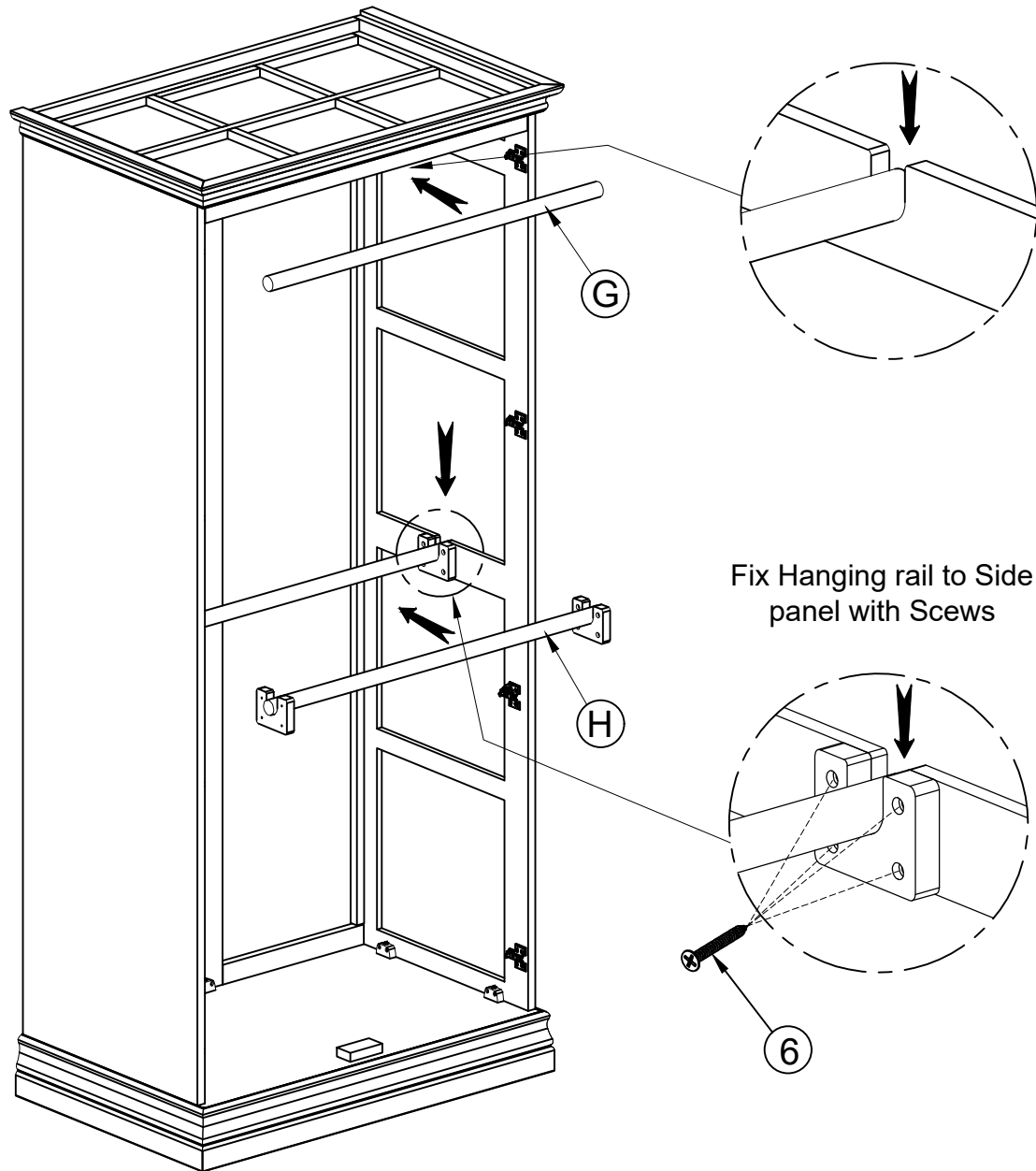


STEP 3

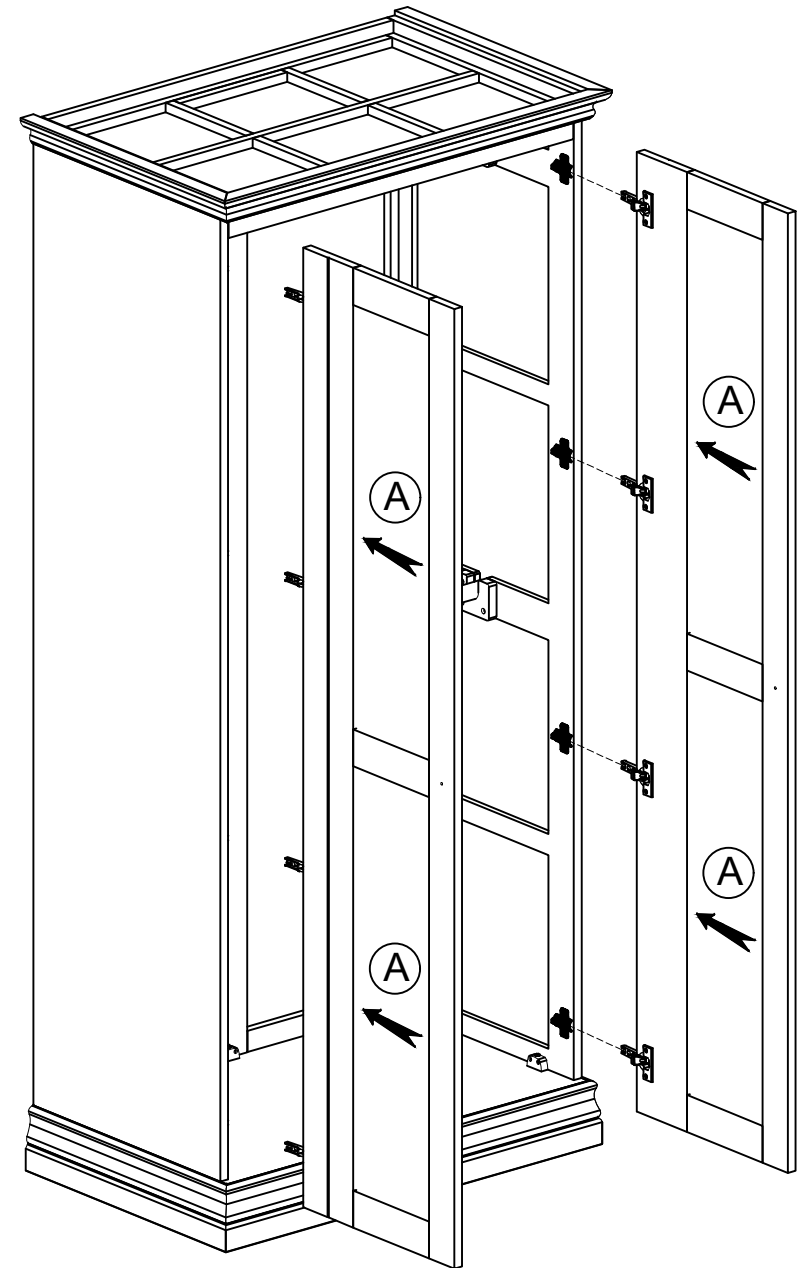


# ASSEMBLY INSTRUCTION FULL HANGING WARDROBE

STEP 4

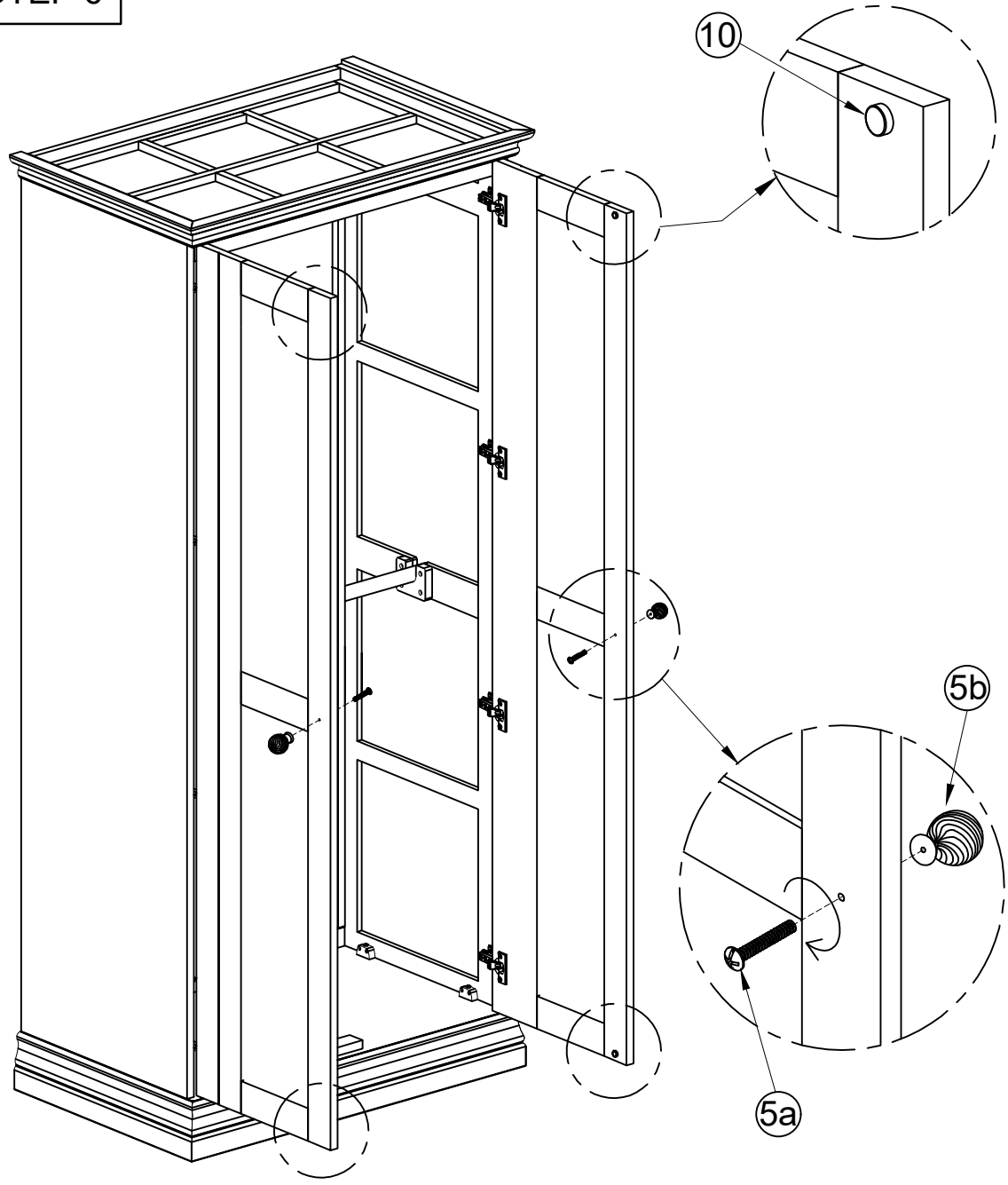


STEP 5

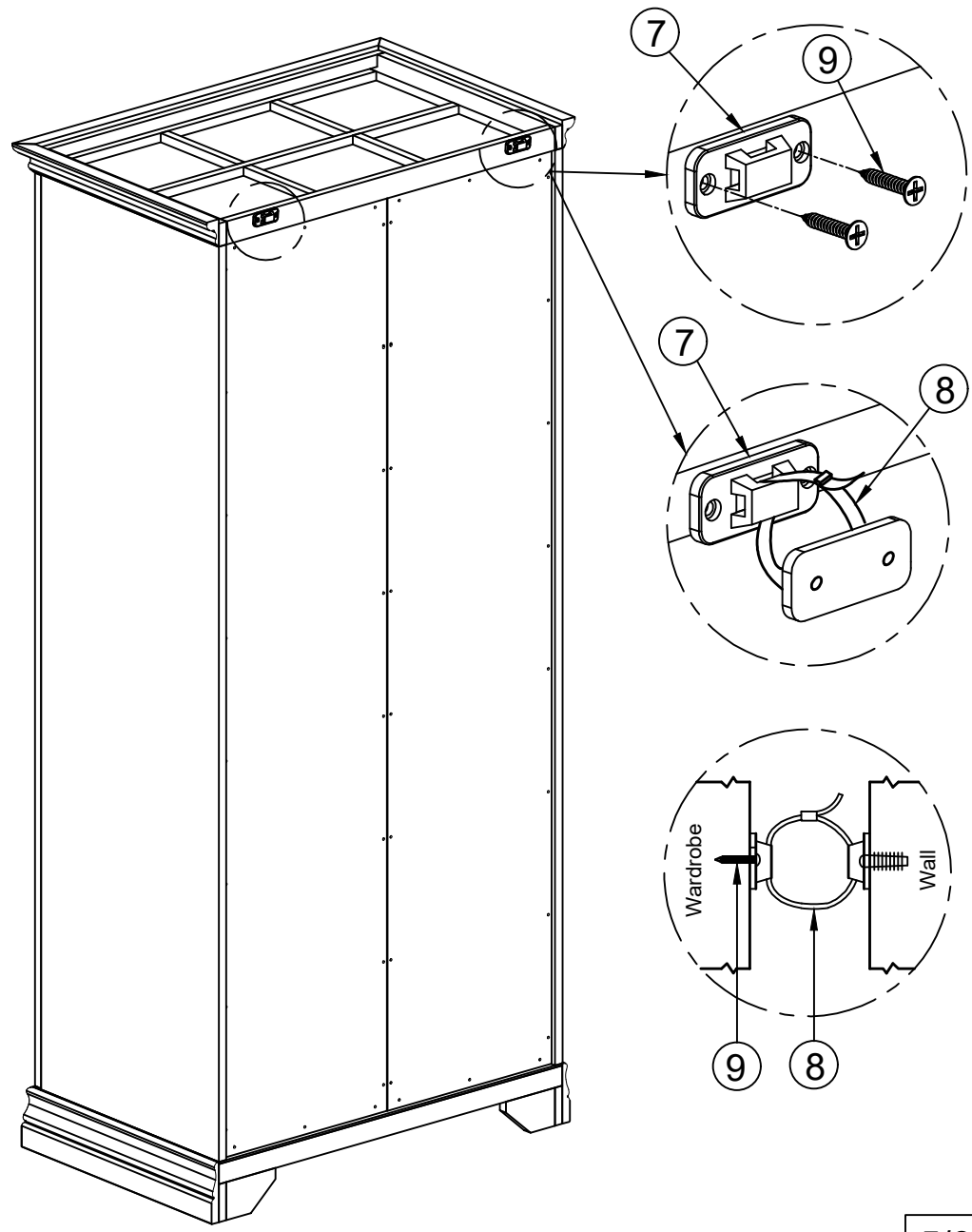


# ASSEMBLY INSTRUCTION FULL HANGING WARDROBE

STEP 6



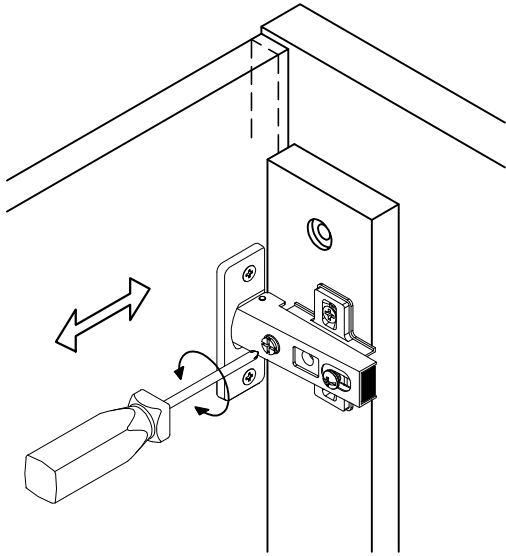
STEP 7



# HINGE ADJUSTMENT INSTRUCTIONS

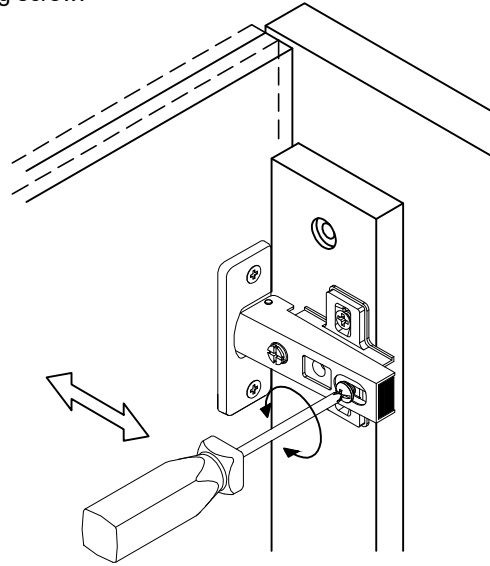
## LATERAL ADJUSTMENT

by screw adjustment.



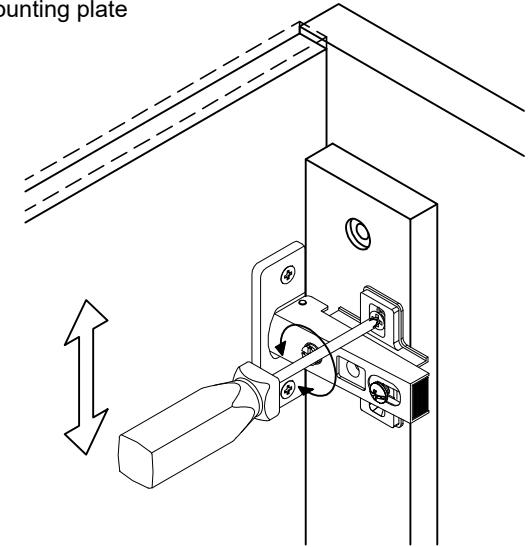
## FRONT-TO-BACK

by slackening and retightening the hinge-arm mounting screw.

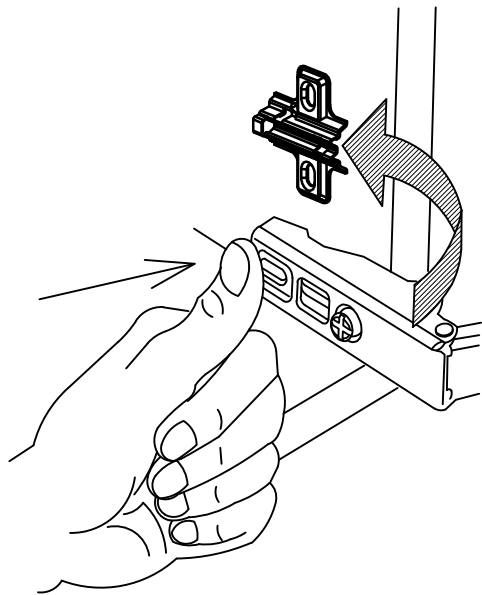


## VERTICAL ADJUSTMENT

via slots on mounting plate by slackening and retightening the screws on mounting plate



## ASSEMBLY



## DISASSEMBLY

