








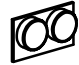
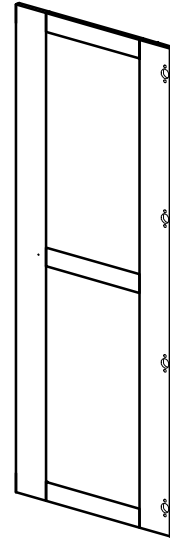
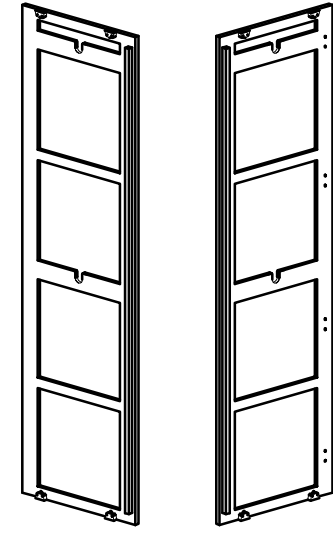


ASSEMBLY INSTRUCTION SINGLE WARDROBE

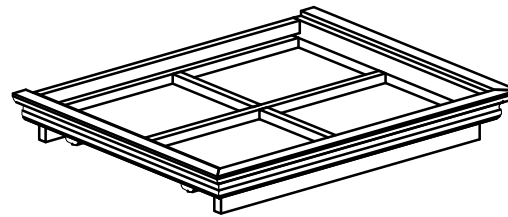
No	Hardware	Qty
1	Hinge set 	4
2	Flats head Screw Ø3.5 x 15 	16
3	Screw M 5x18 	8
4	Round head Screw Ø4 x 15 	22
5	Handle with bolt 	1
6	Screw Ø4 x 30 	8
7	Bracket 	4
8	Tie 	2
9	Screw Ø4 x 20 	4
10	Plastic nut 	2



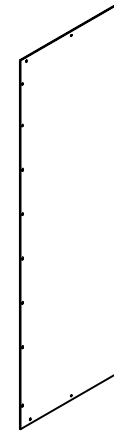
A x 1 : Panel door



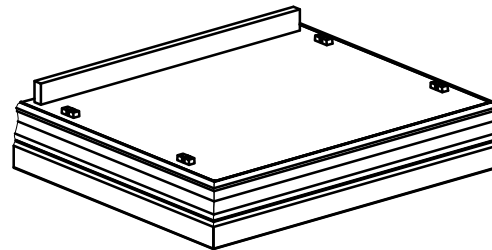
B x 2 (L-R) : Side panel



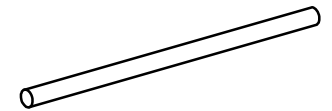
C x 1 : Top frame



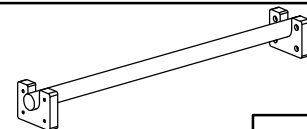
E x 1 : Back panel



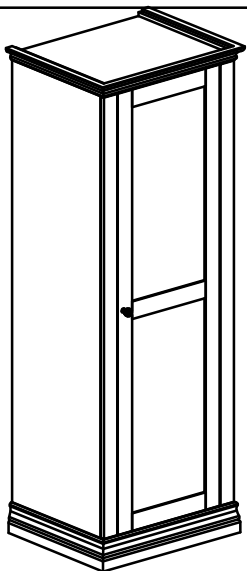
D x 1 : Base



F x 1 : Hanging rail



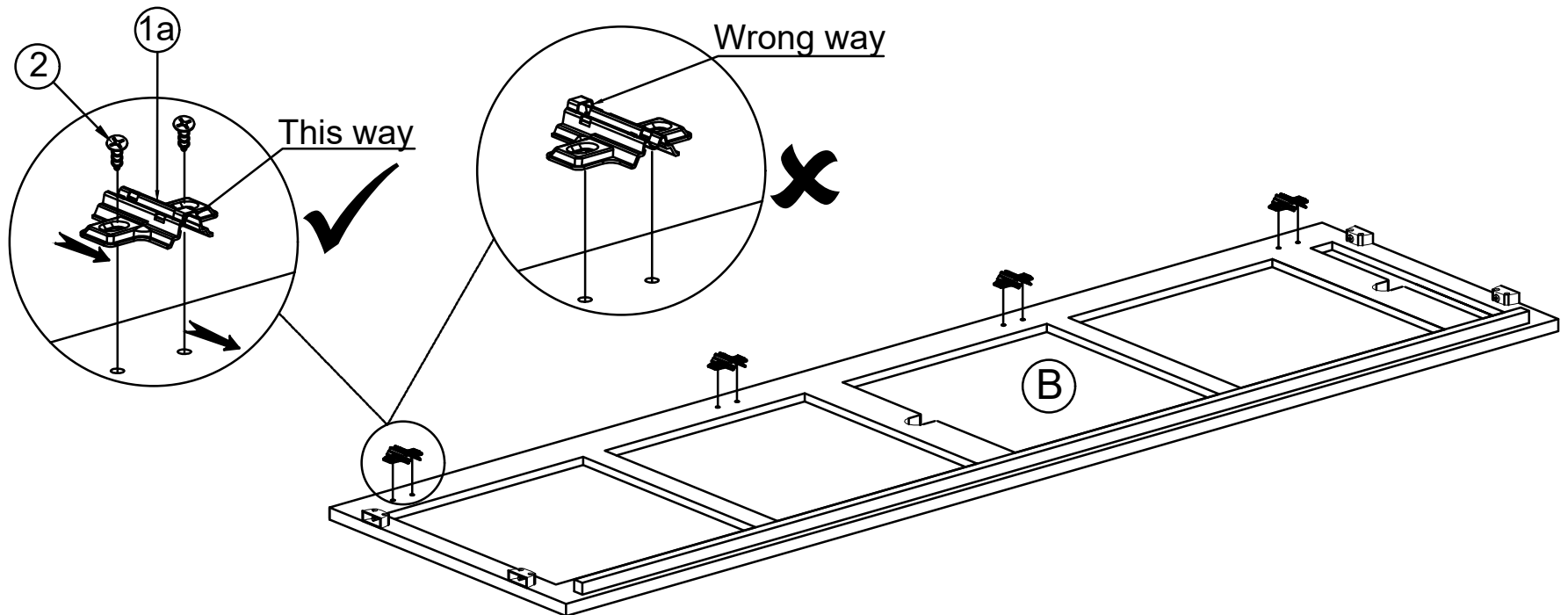
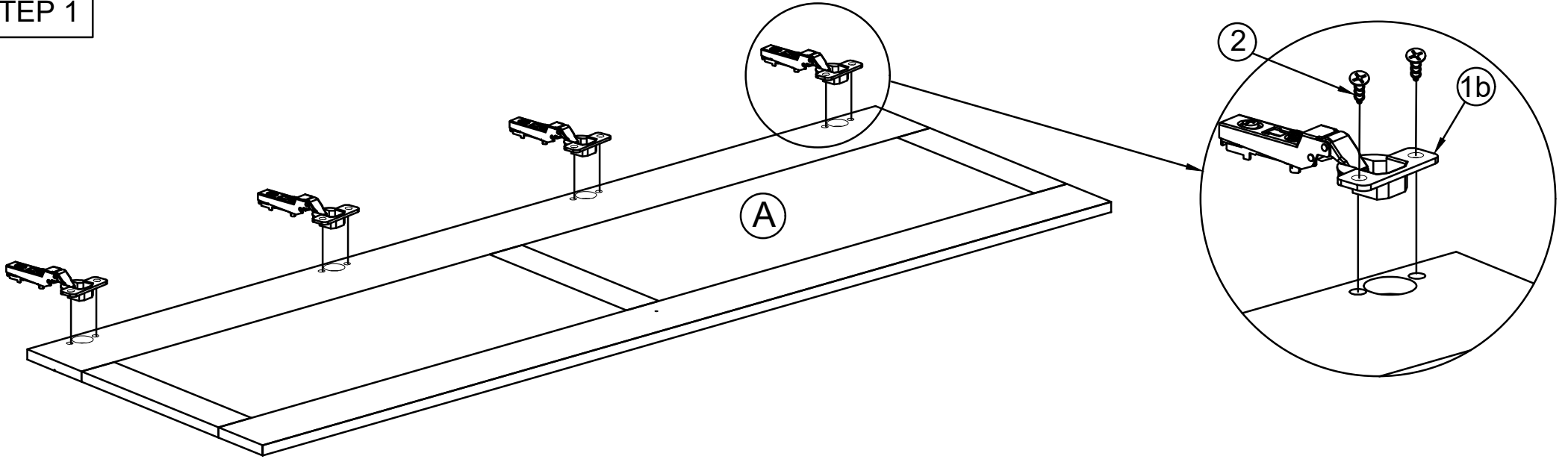
G x 1 : Hanging rail with block



ASSEMBLY INSTRUCTION

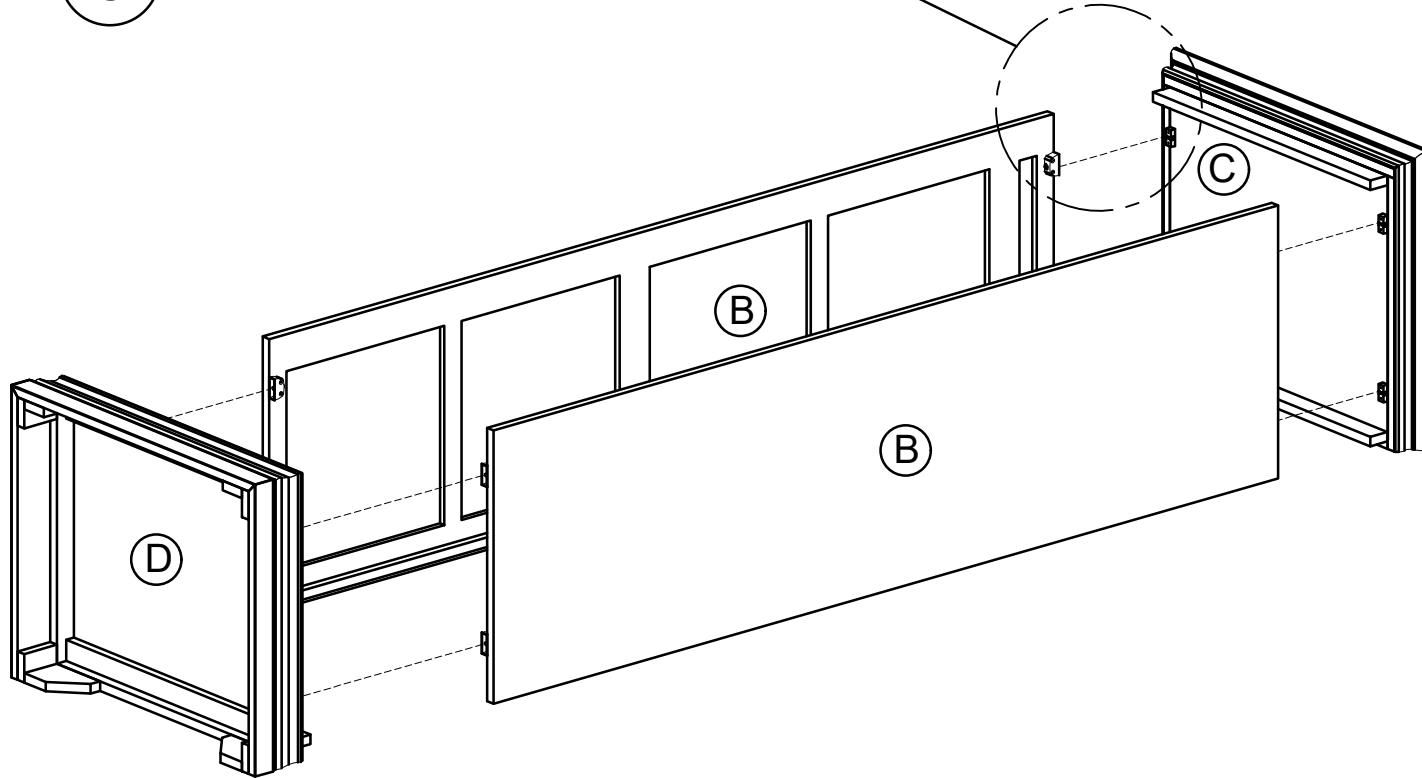
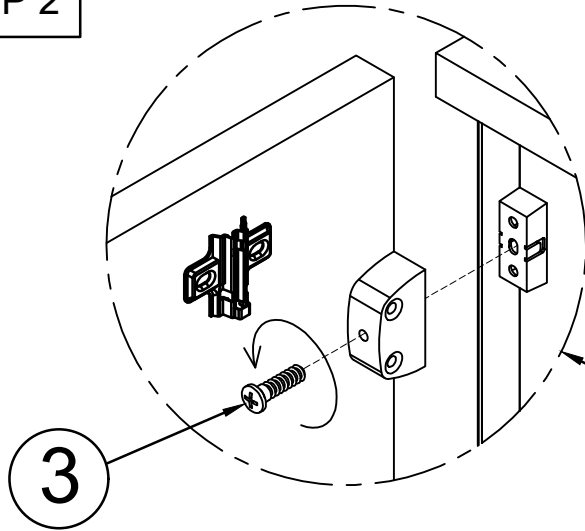
SINGLE WARDROBE

STEP 1

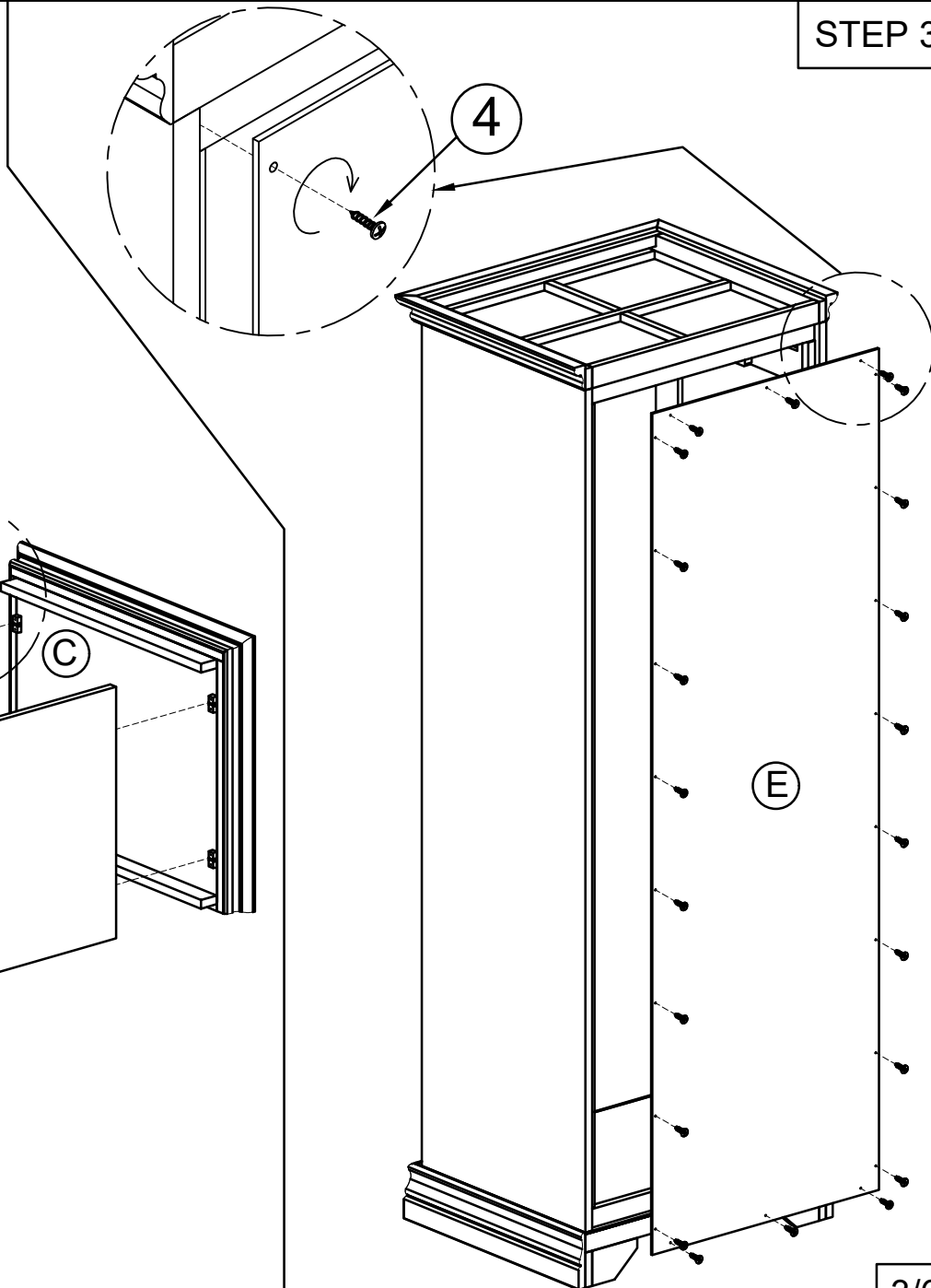


ASSEMBLY INSTRUCTION SINGLE WARDROBE

STEP 2



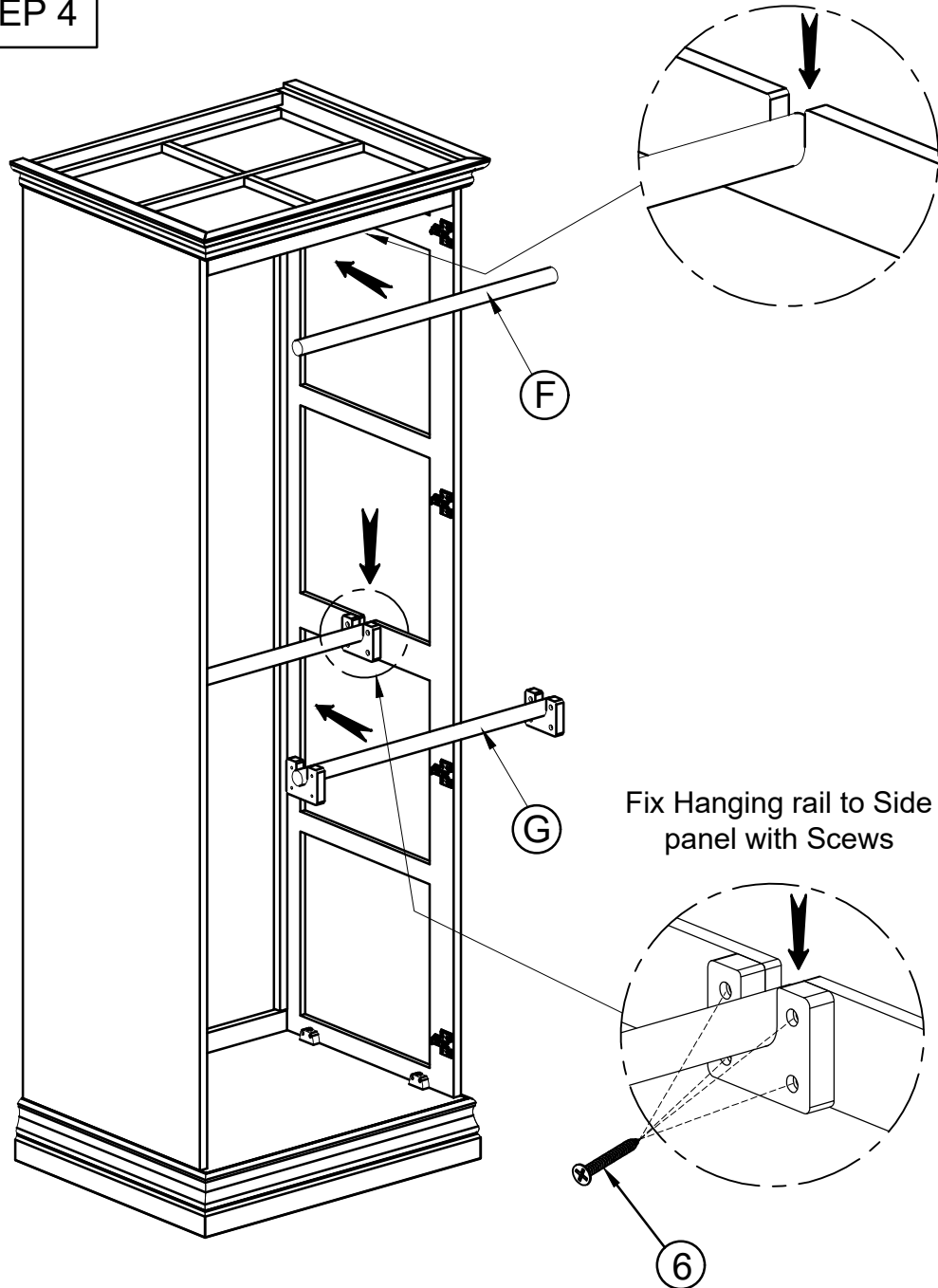
STEP 3



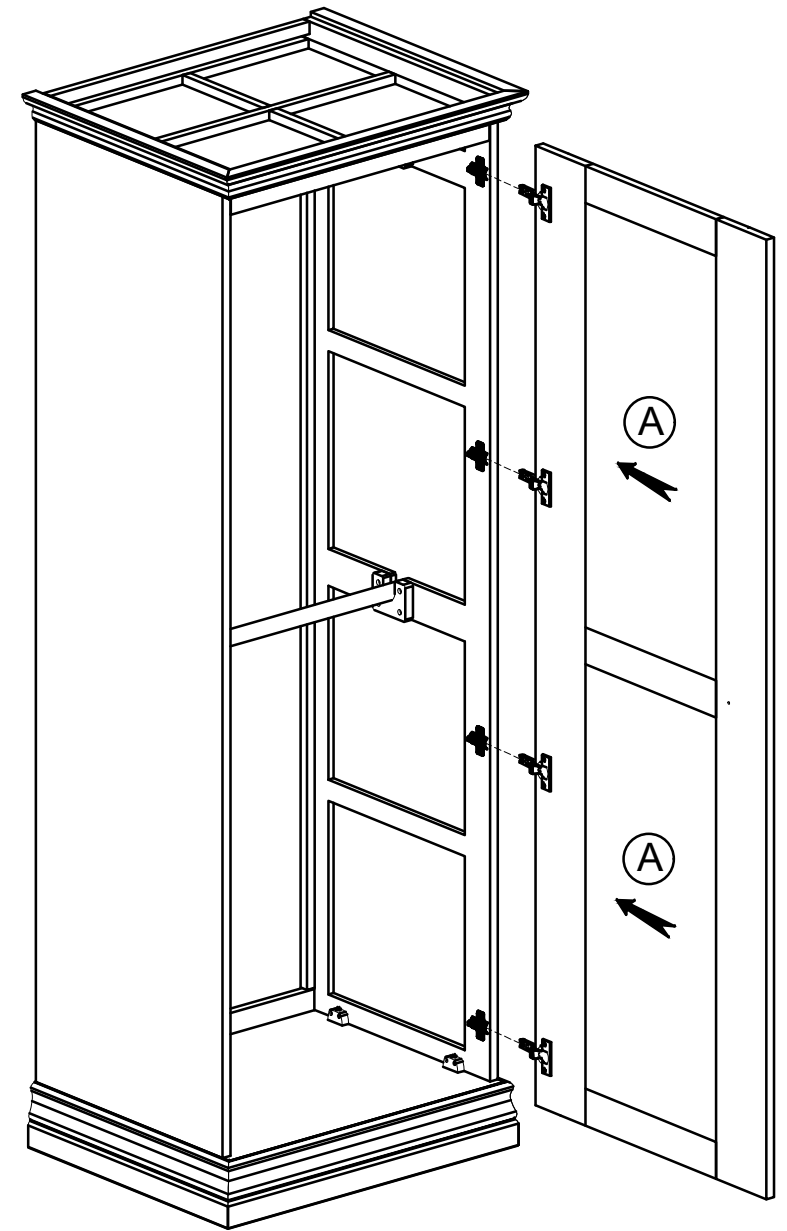
ASSEMBLY INSTRUCTION

SINGLE WARDROBE

STEP 4



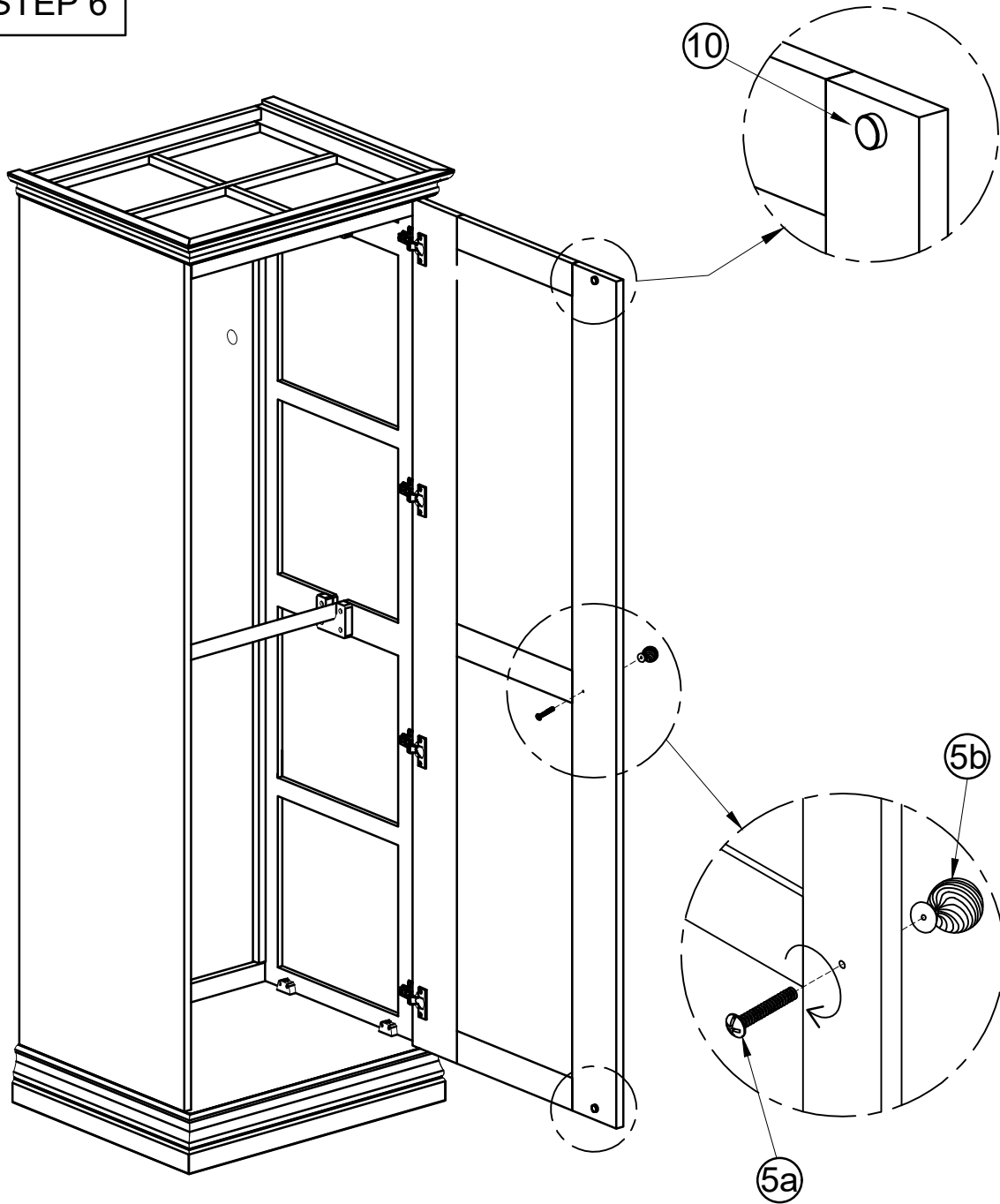
STEP 5



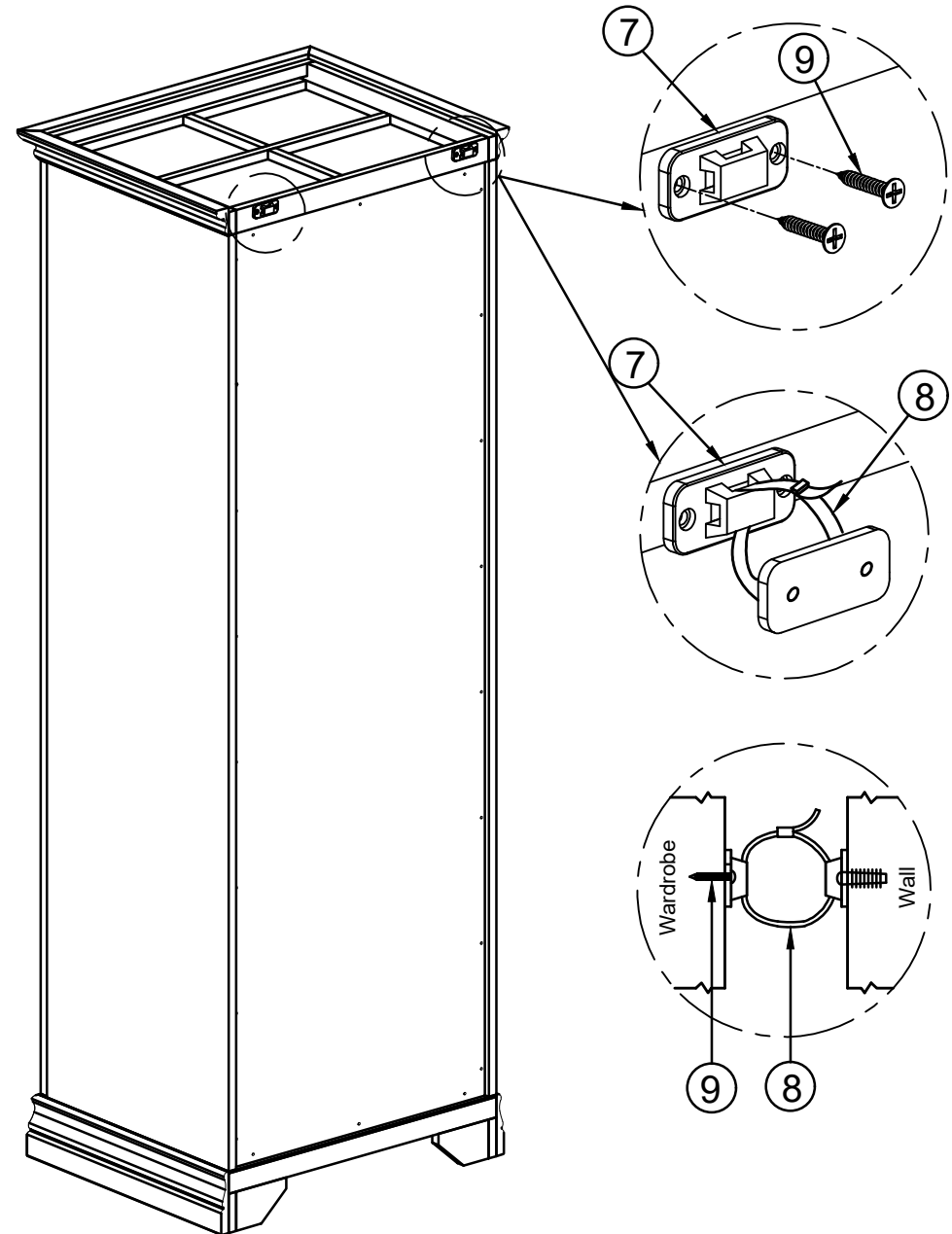
ASSEMBLY INSTRUCTION

SINGLE WARDROBE

STEP 6



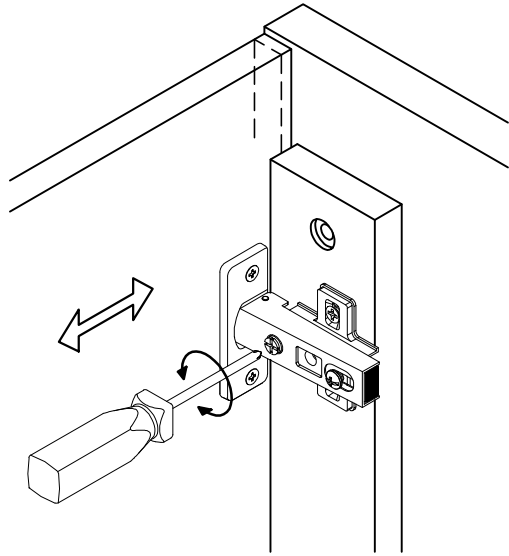
STEP 7



HINGE ADJUSTMENT INSTRUCTIONS

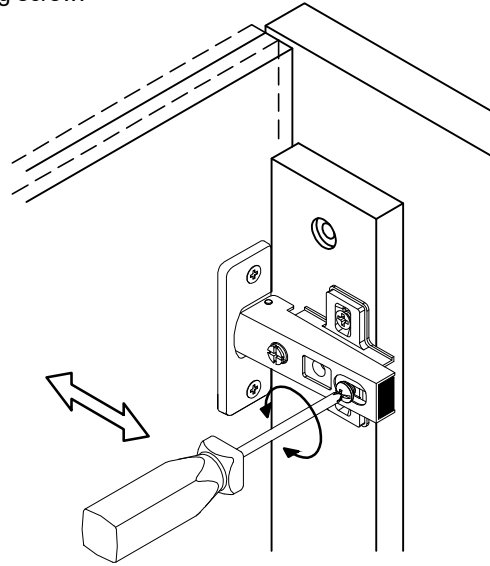
LATERAL ADJUSTMENT

by screw adjustment.



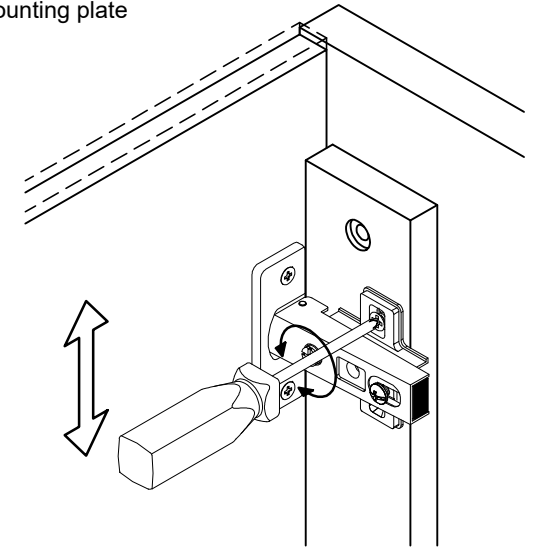
FRONT-TO-BACK

by slackening and retightening the hinge-arm mounting screw.

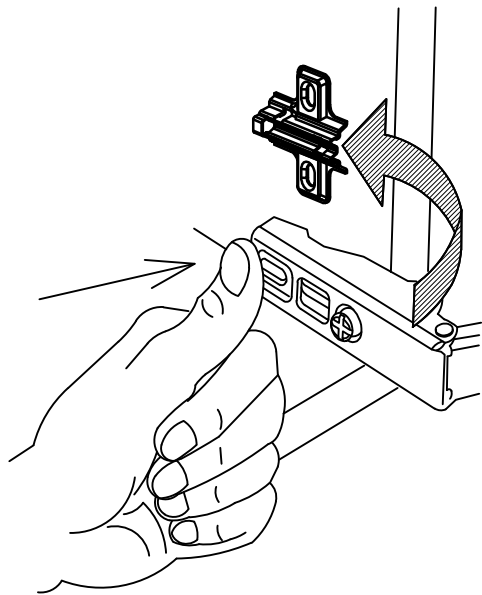


VERTICAL ADJUSTMENT

via slots on mounting plate by slackening and retightening the screws on mounting plate



ASSEMBLY



DISASSEMBLY

