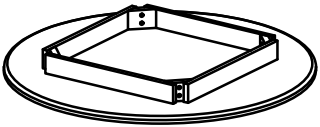
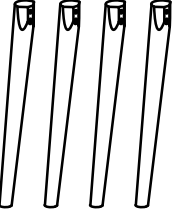
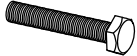





ASSEMBLY INSTRUCTION

G6914 - ROUND DINING TABLE

No	PARTS NAME	Q.ty
(A)	 Top Frame	1
(B)	 Legs	4
No	LIST OF HARDWARE	Q.ty (pcs)
①	Bolts M8x60 	8
②	Spring Washers 	8
③	Flat Washers 	8
④	Wrench 	1

