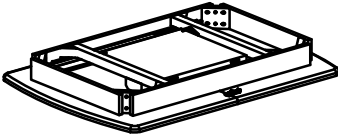
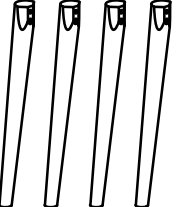
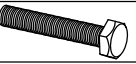



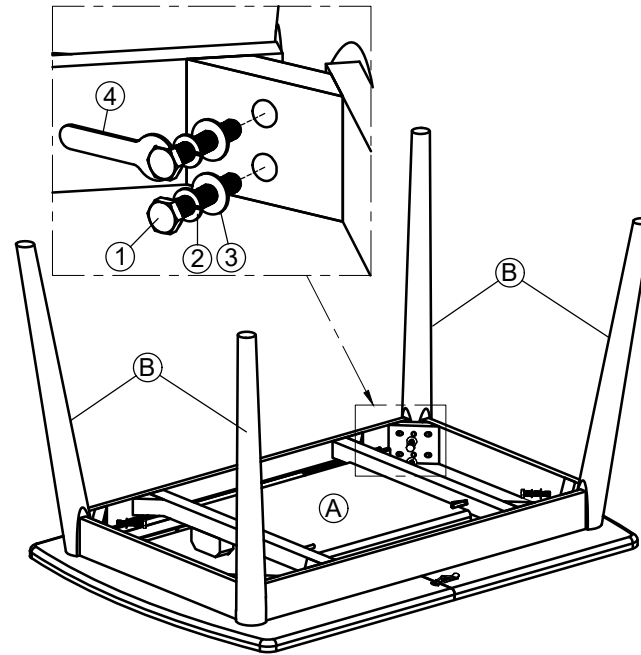


ASSEMBLY INSTRUCTION

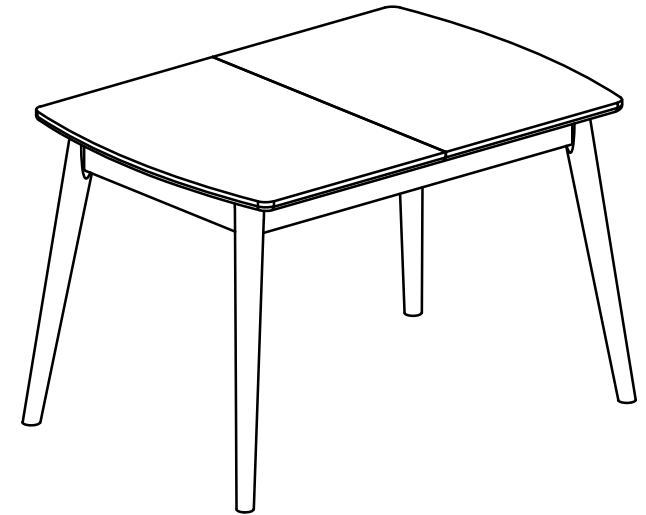
G6913- EXTENSION DINING TABLE

No		Q.ty
(A)	 Top Frame	1
(B)	 Legs	4
No	LIST OF HARDWARE	Q.ty (pcs)
(1)	Bolts M8x60 	8
(2)	Spring Washers 	8
(3)	Flat Washers 	8
(4)	Wrench 	1

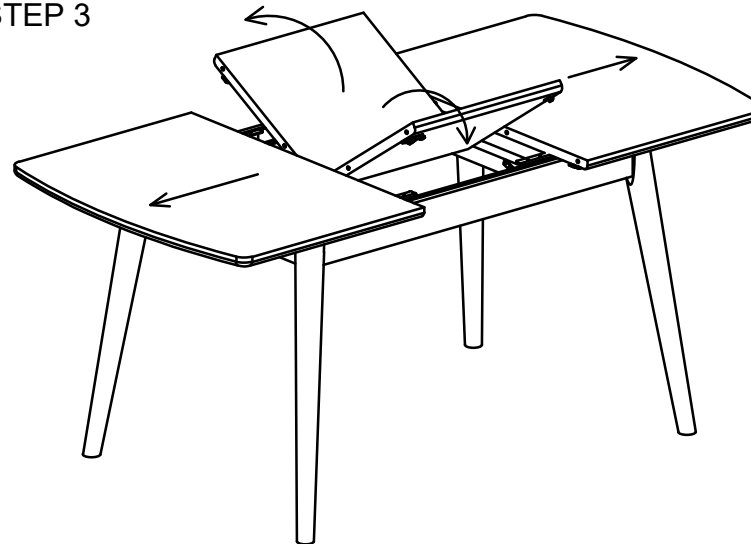
STEP 1



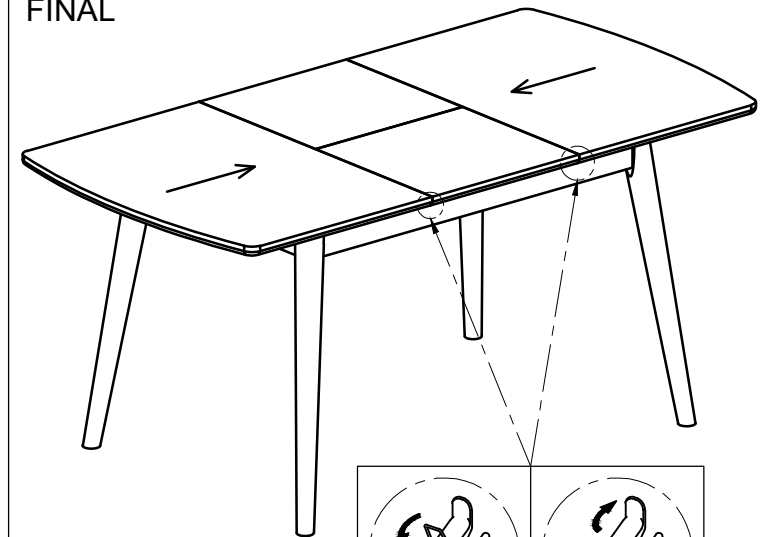
STEP 2



STEP 3



FINAL



When opening or closing the table :
Please pull/push with both hands using equal strength, while standing at the head of the table

