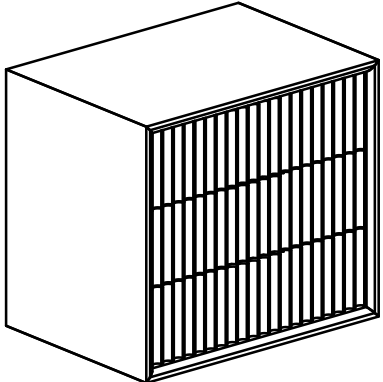
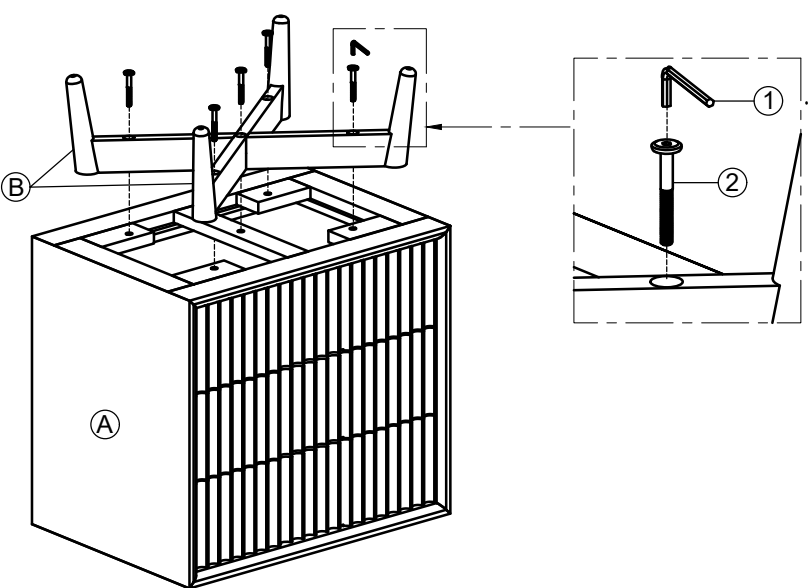


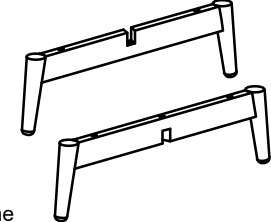
# ASSEMBLY INSTRUCTION

## G6772- BEDSIDE

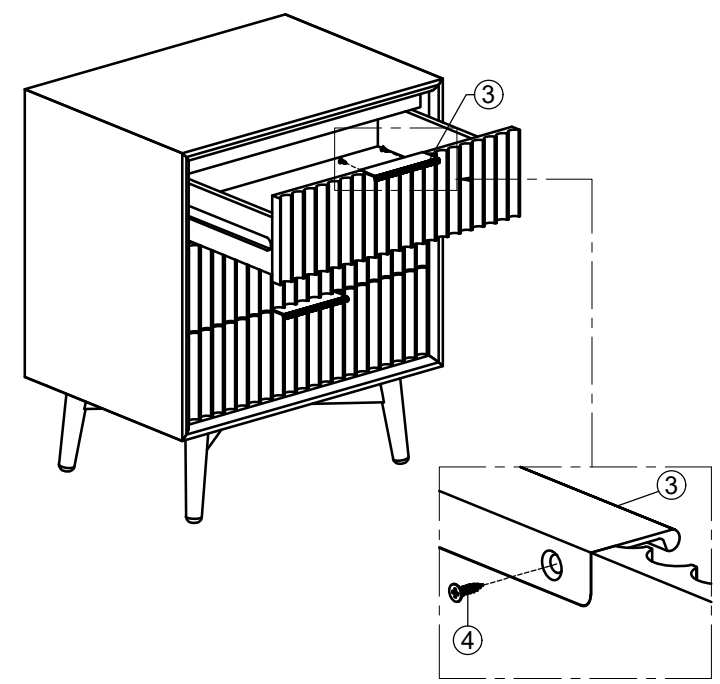
No	PARTS NAME	Q.ty (pcs)
(A)	 Bedside	1

**STEP 1**



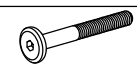

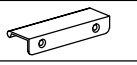

(B)	 Legs Frame	1 Set
-----	---	-------

**STEP 2**



**FINAL**



No	LIST OF HARDWARE	Q.ty (pcs)
(1)	Bolts M6x60 	5
(2)	Allen key K4 	1
(3)	Handles 	3
(4)	Flat screw Ø3.5 x 12 	6
Screwdriver (not included) 