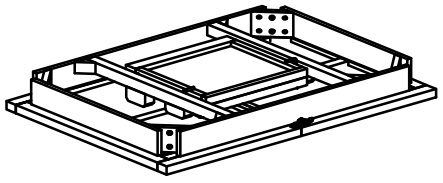
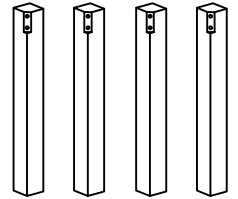
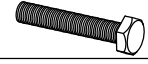



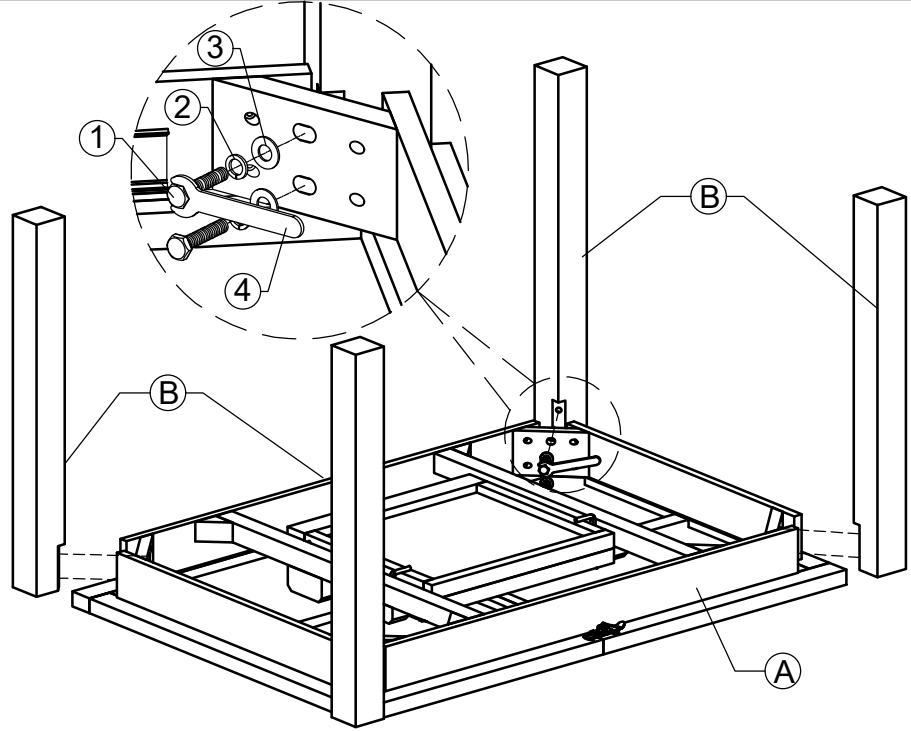


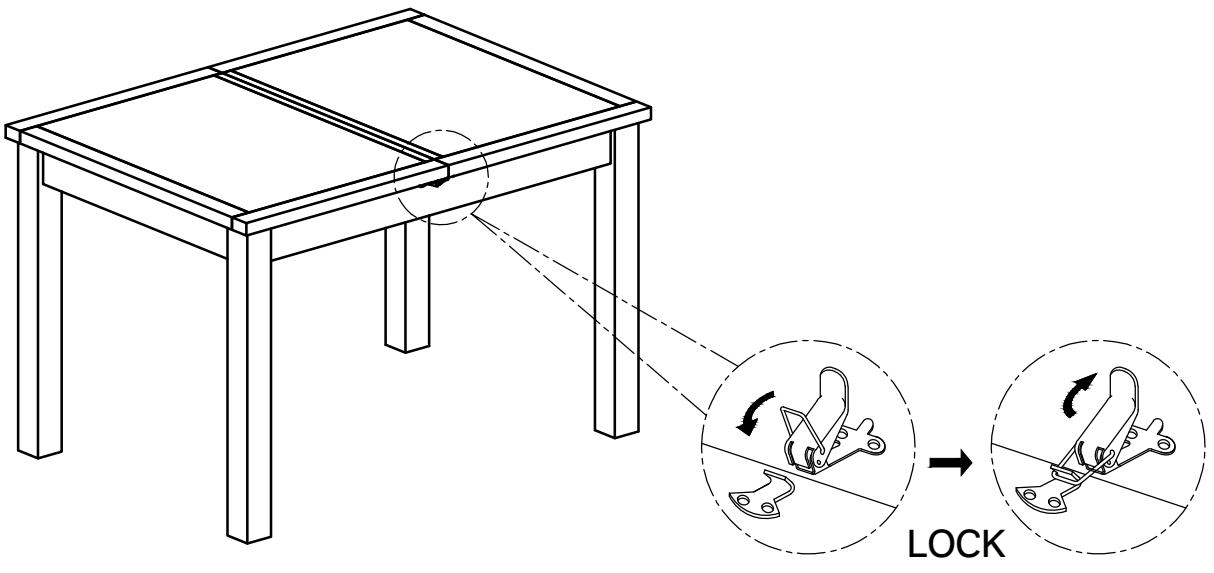
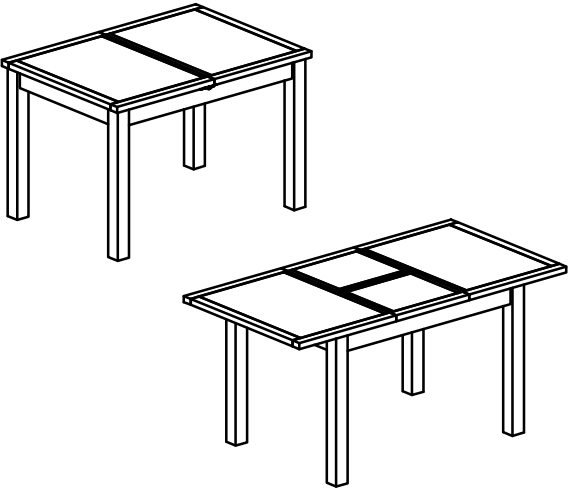
# ASSEMBLY INSTRUCTION COMPACT EXT. TABLE

No	PARTS NAME	Q.ty (pcs)
A	 Table top	1
B	 Legs	4
No	LIST OF HARDWARE	Q.ty (pcs)
①	Bolts M8x60 	8
②	Spring Washers 	8
③	Flat Washers 	8
④	Wrench 	1

**STEP 1**



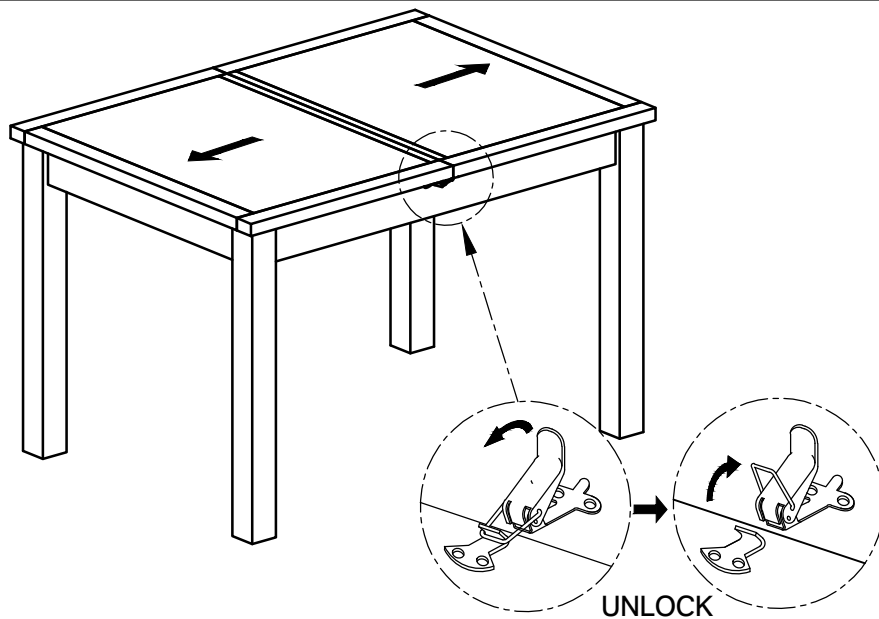
**FINAL**



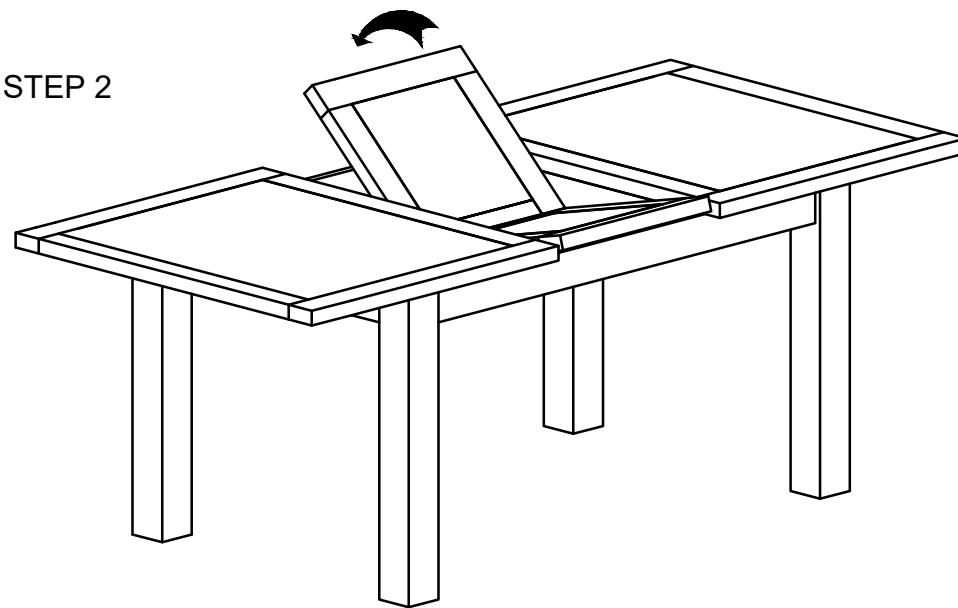
# ASSEMBLY INSTRUCTION COMPACT EXT. TABLE

EXTEND THE TABLE: When opening or closing the table :  
Please pull/push with both hands using equal strength, while standing at the head of the table

STEP 1



STEP 2



FINAL

