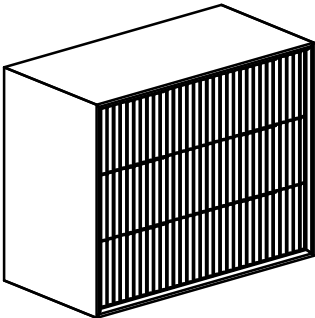
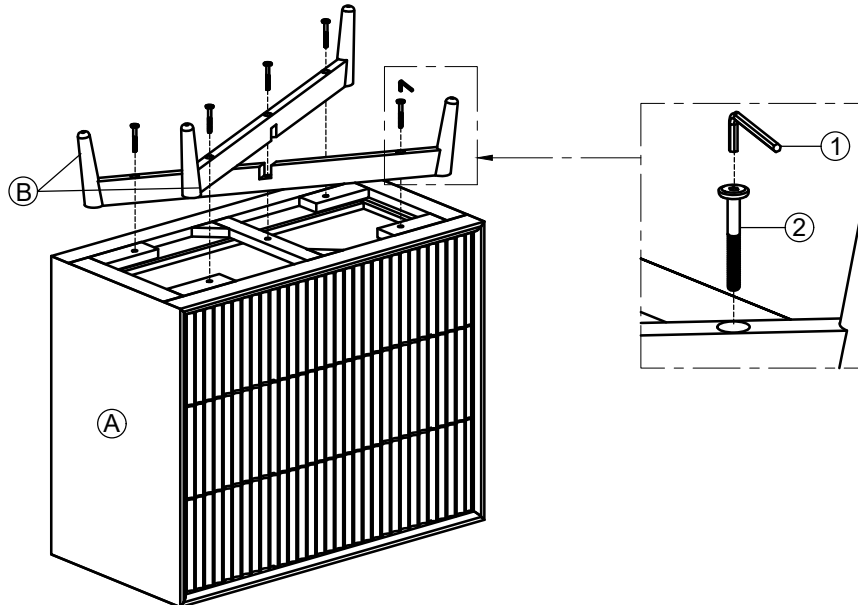
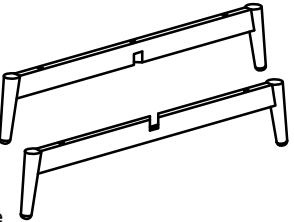


ASSEMBLY INSTRUCTION G6773- 3 DRAWER CHEST

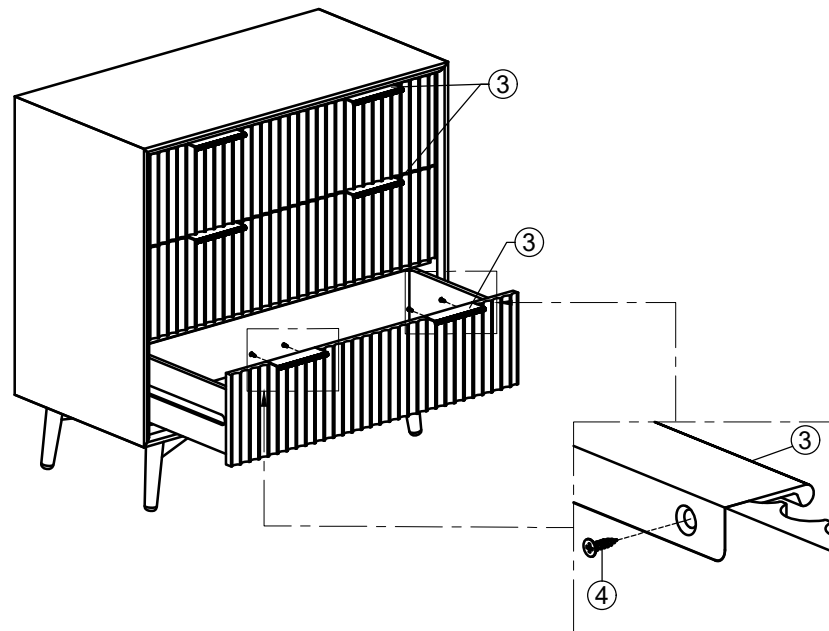
No	PARTS NAME	Q.ty (pcs)
A	 3Drawer chest	1



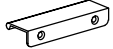




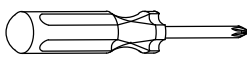
STEP 1



B	 Legs Frame	1 Set
---	---	-------

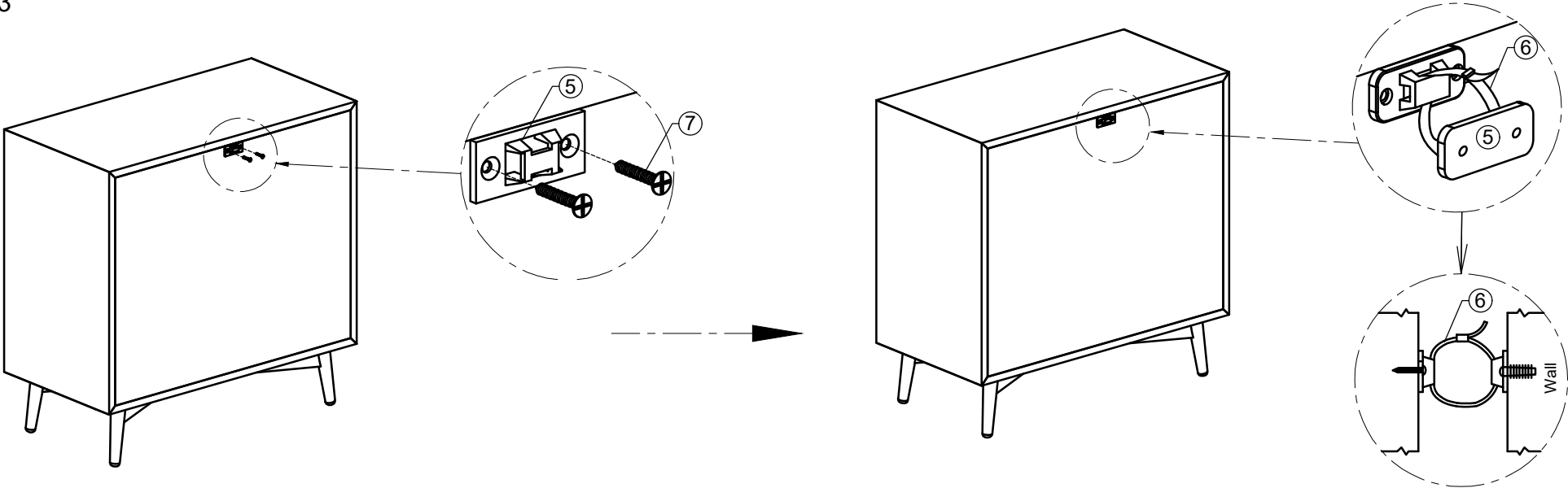
STEP 2



No	LIST OF HARDWARE	Q.ty (pcs)
①	Bolts M6x60 	5
②	Allen key K4 	1
③	Handles 	6
④	Flat screw Ø3.5 x 12 	12
⑤	Plastic bracket 	2
⑥	Tie 	1
⑦	Screw Ø4x20 	2
Screwdriver (not included) 		

ASSEMBLY INSTRUCTION
G6773- 3 DRAWER CHEST

STEP 3



FINAL

