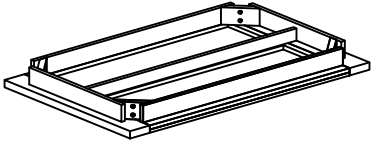
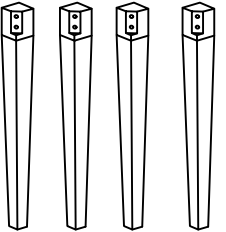






ASSEMBLY INSTRUCTION FIX DINING TABLE 1200

| No | Name of Component | Q.ty |
|----|--|------|
| Ⓐ |  Top Frame | 1 |

| | | |
|---|---|---|
| Ⓑ |  Legs | 4 |
|---|---|---|

| No | Name of Hardware | Q.ty |
|----|--|------|
| ① | Bolts M8x60  | 8 |
| ② | Spring Washers  | 8 |
| ③ | Flat Washers  | 8 |
| ④ | Allen key K4  | 1 |

