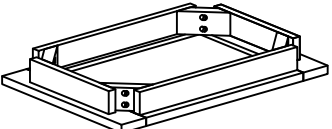
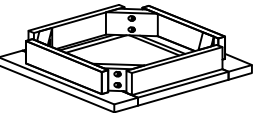
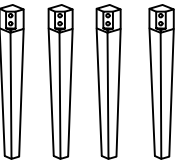
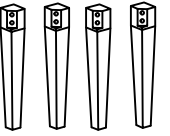
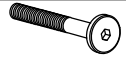





ASSEMBLY INSTRUCTION NETS OF TABLE SET

No	Name of Component	Q.ty
(A)	 Large Frame	1
(B)	 Small Frame	1
(C)	 Hight Legs	4
(D)	 Short Legs	4
No	Name of Hardware	Q.ty
(1)	 Bolts M6x60	16
(2)	 Spring Washers	16
(3)	 Flat Washers	16
(4)	 Allen key K4	1

