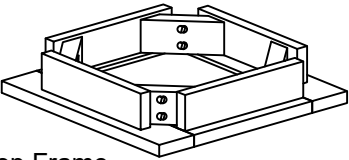
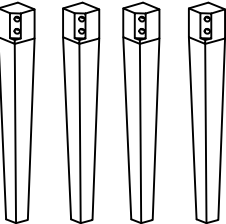
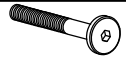





# ASSEMBLY INSTRUCTION END TABLE

No	Name of Component	Q.ty
Ⓐ	 Top Frame	1
Ⓑ	 Legs	4
No	Name of Hardware	Q.ty
①	Bolts M6x60 	8
②	Spring Washers 	8
③	Flat Washers 	8
④	Allen key K4 	1

