



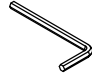


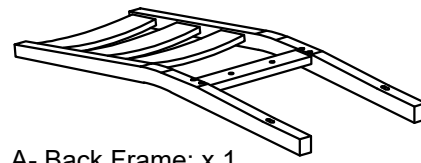


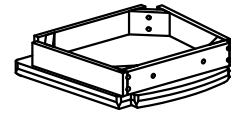
# ASSEMBLY INSTRUCTION

## G5901KD- LADDER CHAIR\_KD

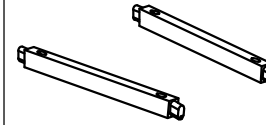
No	Name of Hardware	Q.ty
①	Bolt M6 x 70 	8
②	Bolt M8 x 40 	2
③	Spring Washer Ø9/Ø11 	10
④	Washer Ø9/Ø18x 1 	10
⑤	Allen key (K4) 	1
⑥	Round head Screw Ø4 x 50 	4
⑦	Round head Screws Ø4 x 30 	2



A- Back Frame: x 1



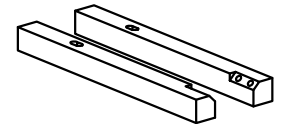
B- Seat Frame x 1



C- Side Stretcher x 2  
(Left-right)

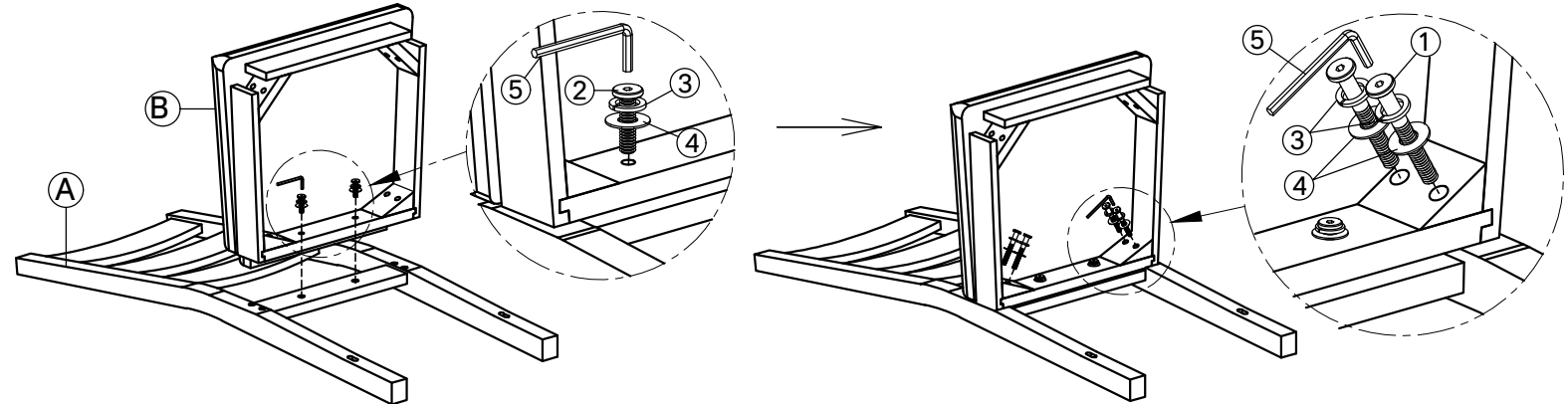


D- Middle Stretcher x 1

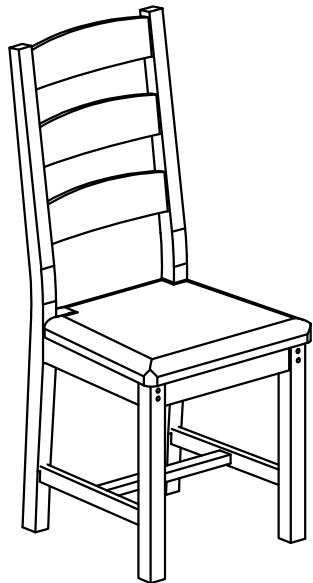
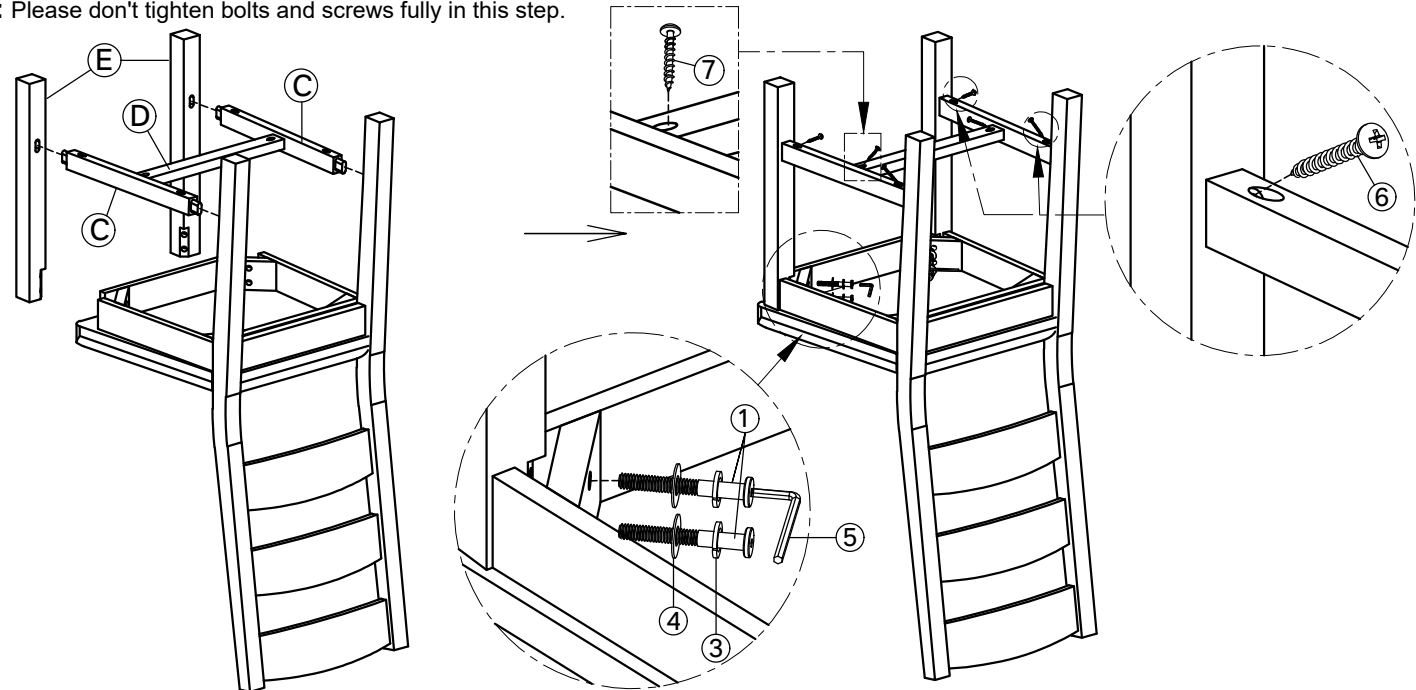


E- Front leg x 2  
(left-right)

**STEP 1:** Please don't tighten bolts fully in this step.



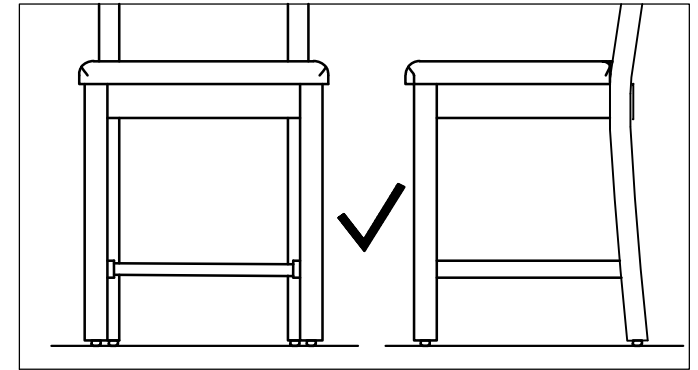
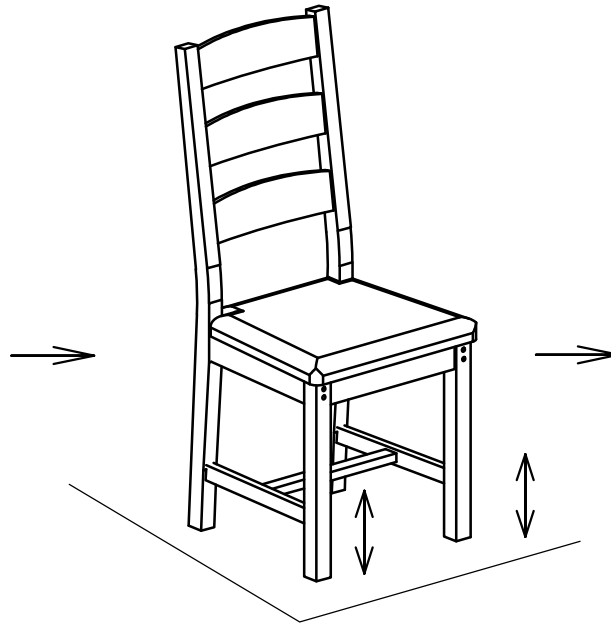
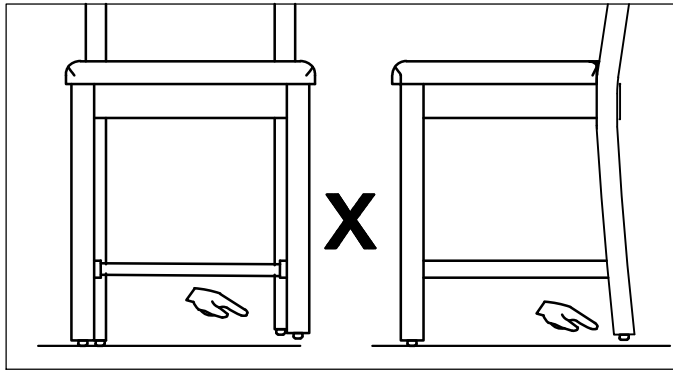
**STEP 2:** Please don't tighten bolts and screws fully in this step.



# ASSEMBLY INSTRUCTION

## G5901KD- LADDER CHAIR\_KD

**STEP 3:** Check all legs are in the same level, as shown,  
then tighten all bolts and screws fully.



**FINAL**

