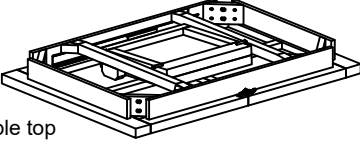
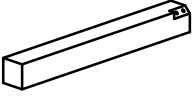


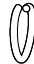

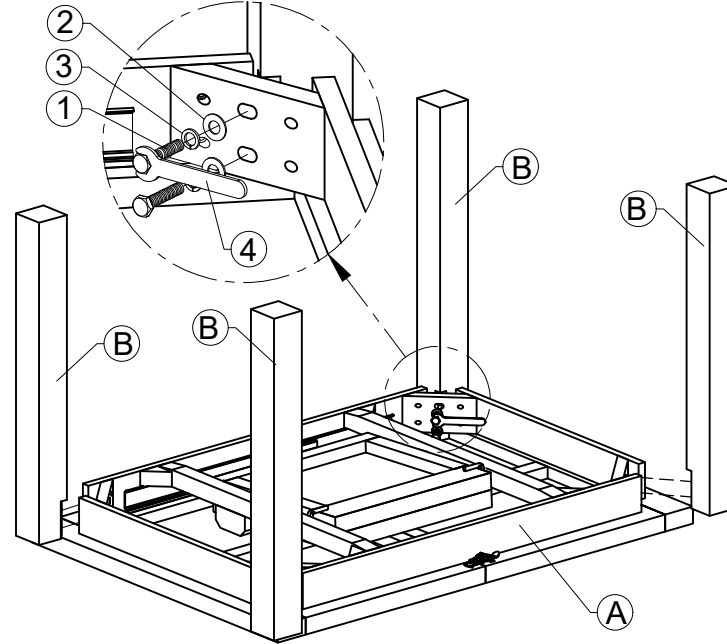


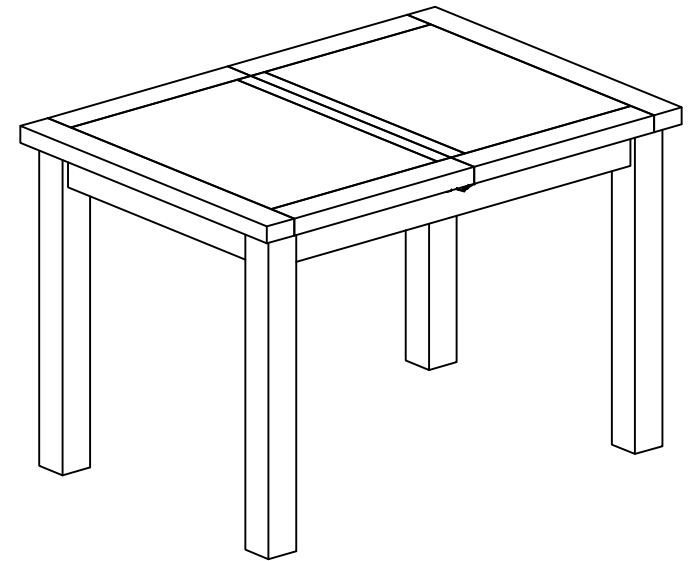
ASSEMBLY INSTRUCTION BUTTERFLY EXT. TABLE

No	Name of Component	Q.ty
Ⓐ	 Table top	1
Ⓑ	 Leg	4
No	Name of Hardware	Q.ty
①	 Bolt M10 x 60	8
②	 Washer Ø20/Ø11 x 2	8
③	 Spring Washer M10	8
④	 Spanner	1

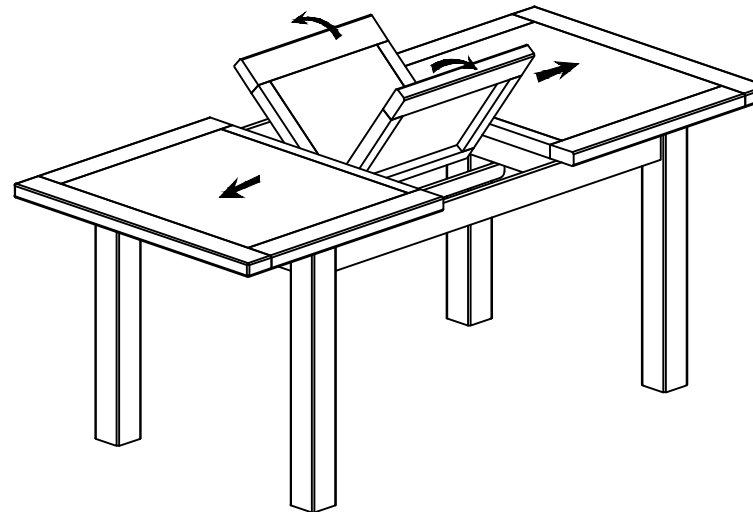
STEP 1



STEP 2



STEP 3



When opening or closing the table :
Please pull/push with both hands using equal strength, while standing at the head of the table

FINAL

