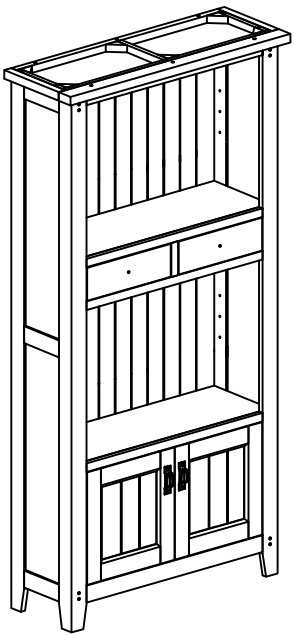
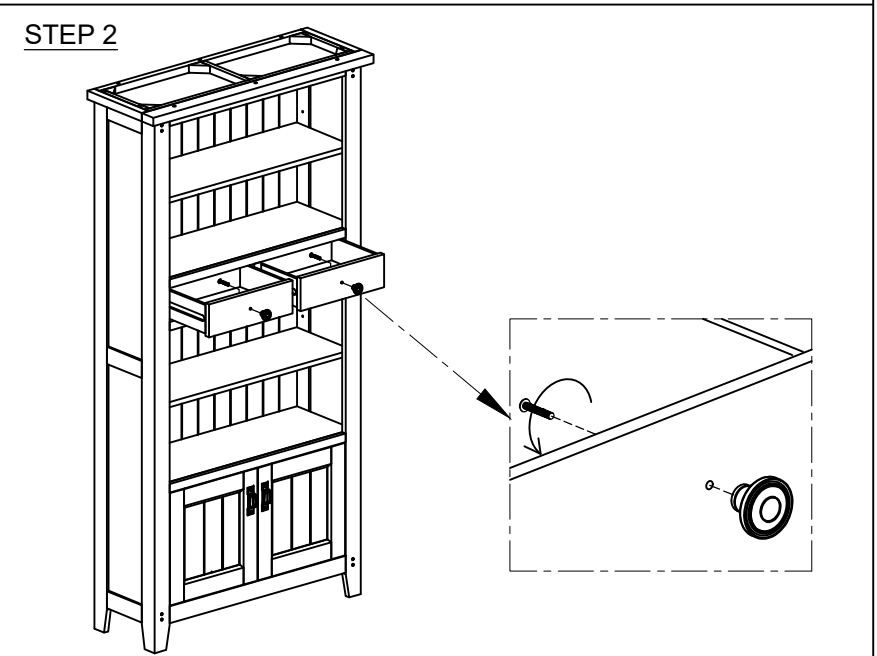
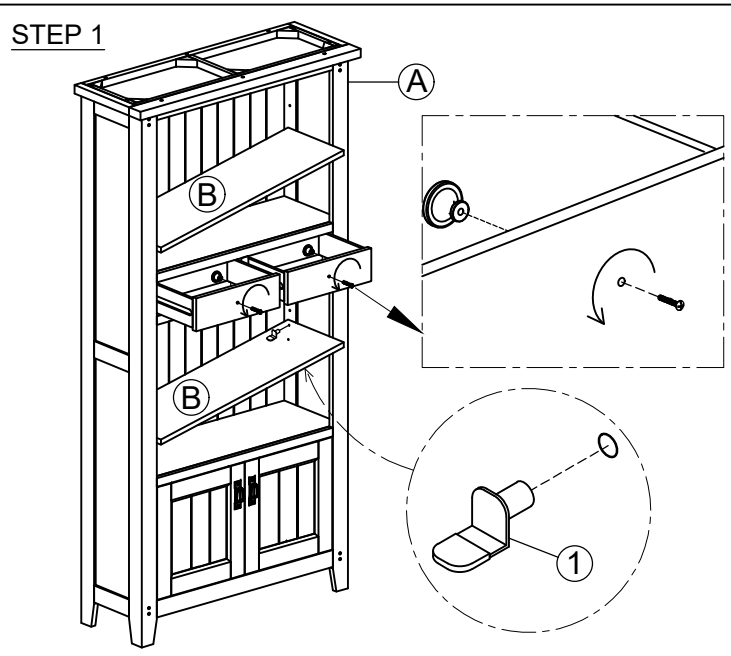






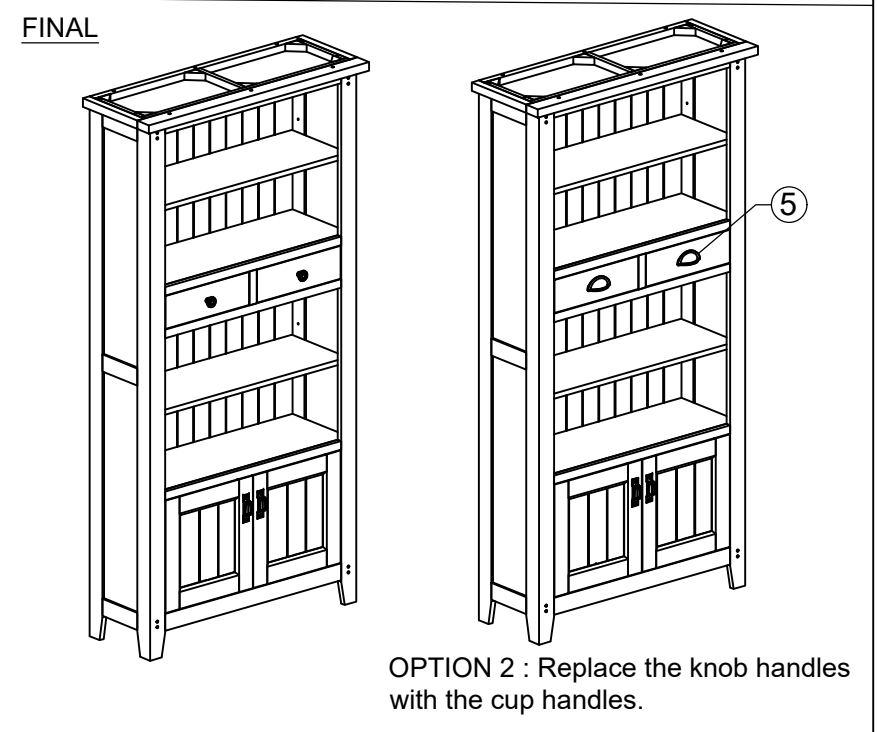
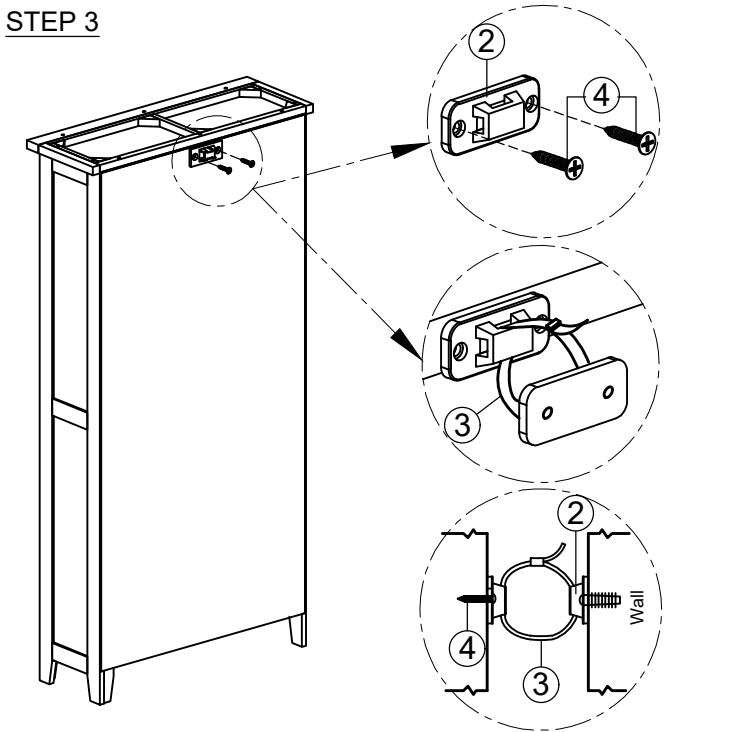


# ASSEMBLY INSTRUCTION G5895 - DISPLAY BOOKCASE

No	Name of Component	Q.ty
(A)		1
Bookcase		



(B)		2
Shelve		
No	Name of Hardware	Q.ty
(1)	Shelf support 	8
(2)	Bracket 	2
(3)	Tie 	1
(4)	Screw M4 x 20 	2
(5)	Handle with bolt 	2 (Sets)



OPTION 2 : Replace the knob handles with the cup handles.