







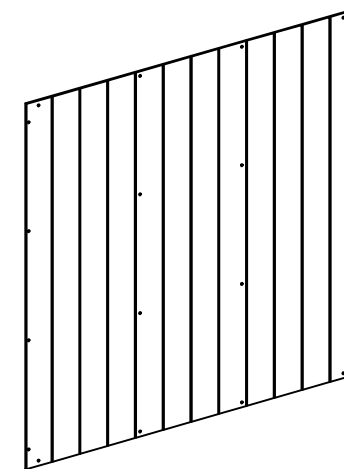
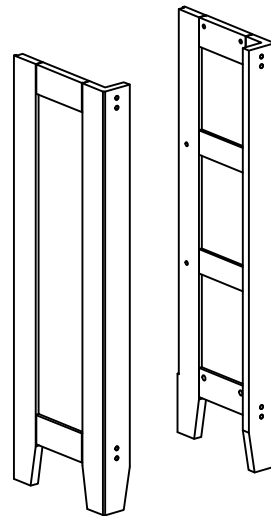


ASSEMBLY INSTRUCTION LOW BOOKCASE _ KD

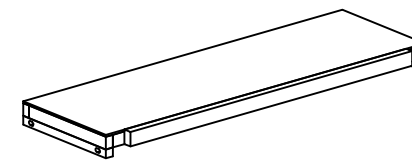
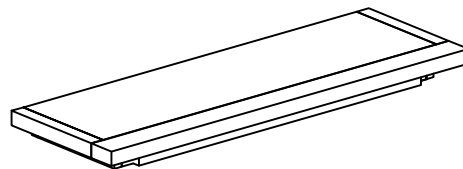
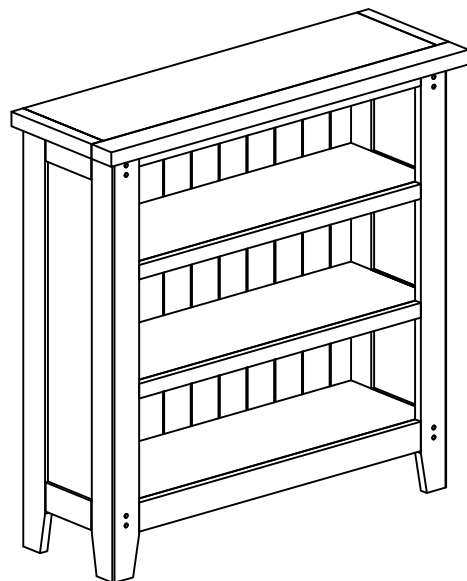
No	LIST OF HARDWARE	FIG	Q.ty (pcs)
①	Bolts M6x35		16
②	Spring Washers		16
③	Flat Washers		16
④	Allen key K4		1
⑤	Round head Screws Ø3.5x15		20
⑥	Screws Ø4x20		2
⑦	Brackets		2
⑧	Tie		1

Screwdriver (not included) 



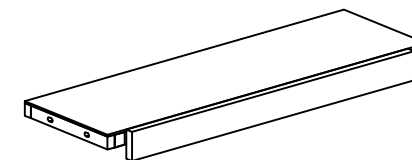
Ⓐ Side frame (Left - Right): x 2

Ⓑ Back panel: x 1



Ⓓ Shelves: x 2

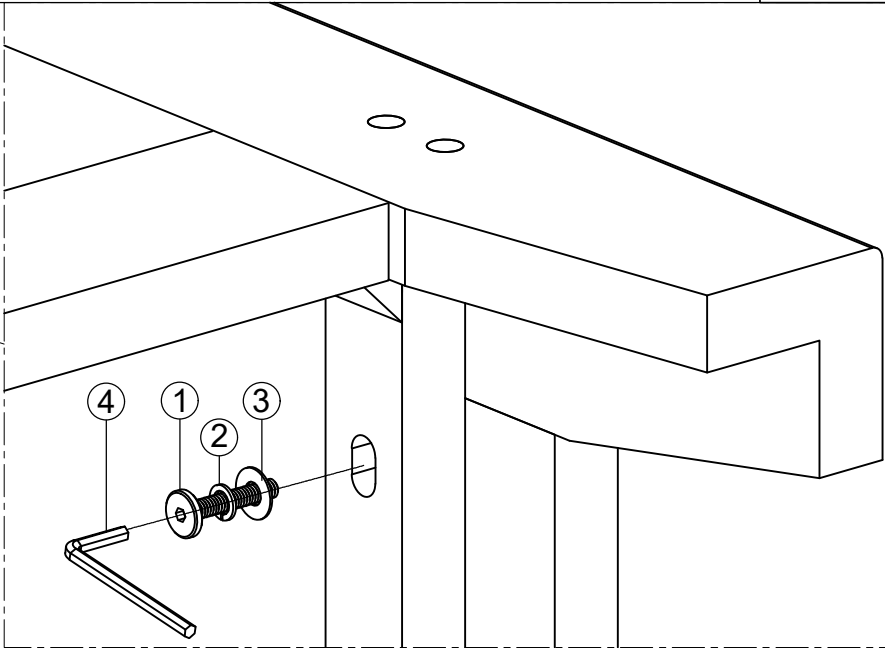
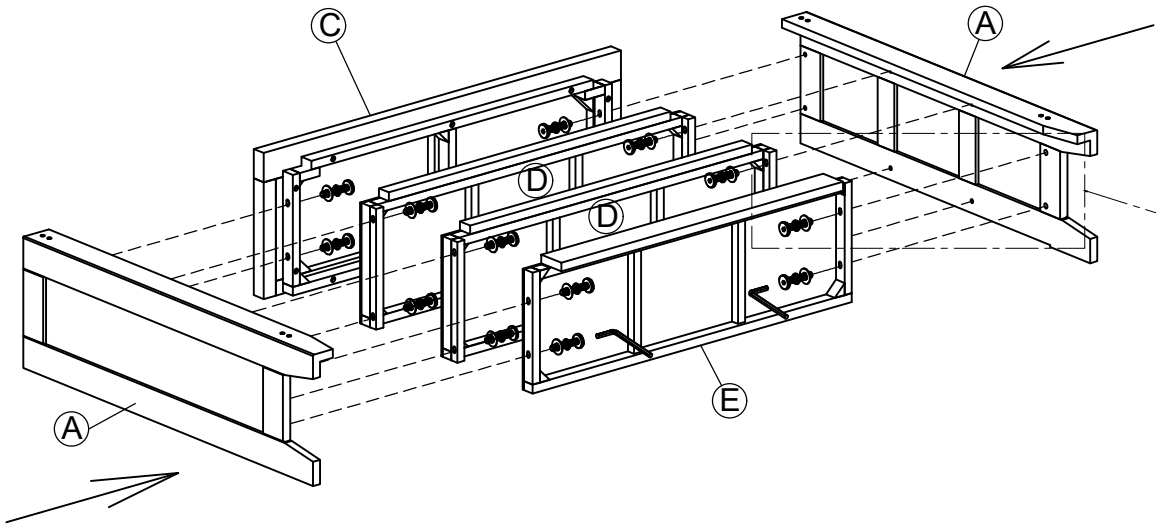
Ⓒ Top Frame: x 1



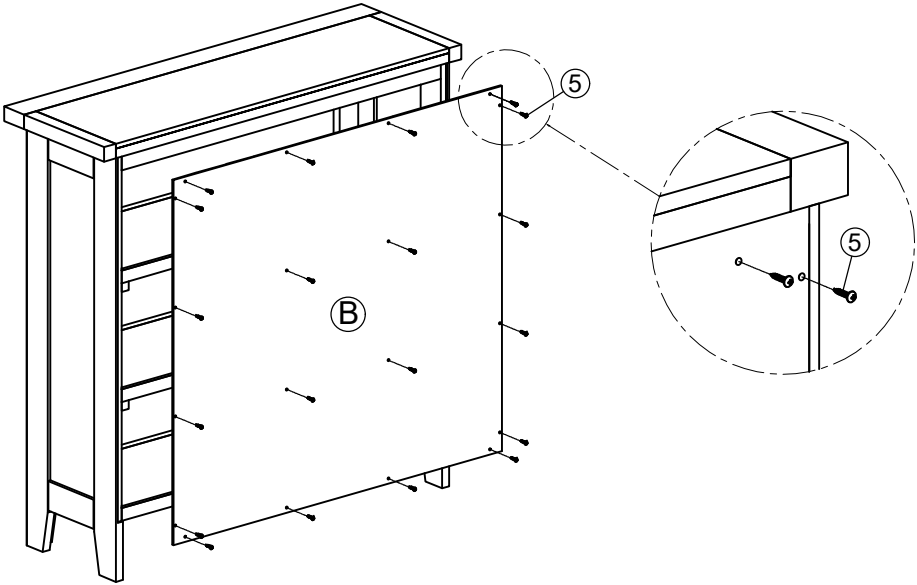
Ⓔ Bottom Frame: x 1

ASSEMBLY INSTRUCTION LOW BOOKCASE_KD

STEP 1



STEP 2



STEP 3

