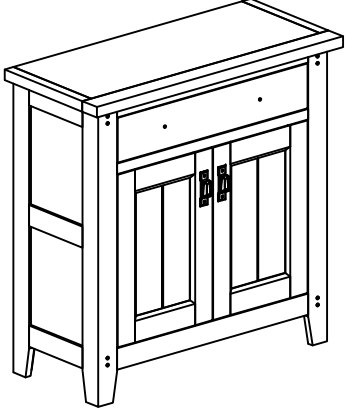
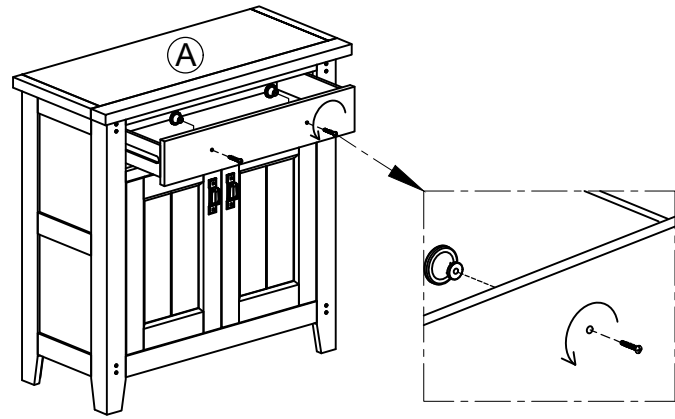


# ASSEMBLY INSTRUCTION

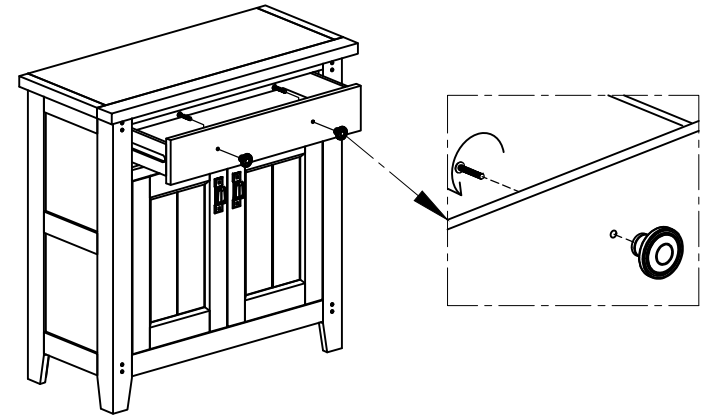
## G5889 - MINI SIDEBOARD WITH TOP DRAWER





No	Name of Component	Q.ty
A		1

### STEP 1

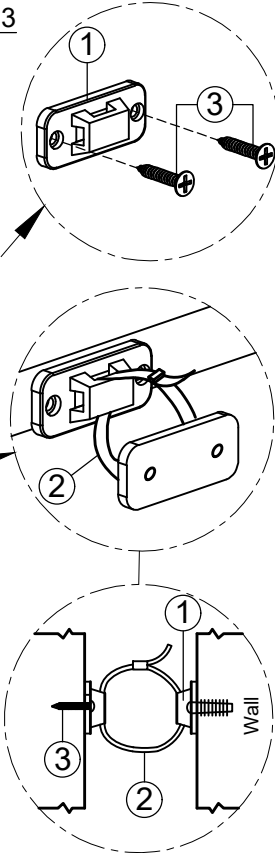


### STEP 2

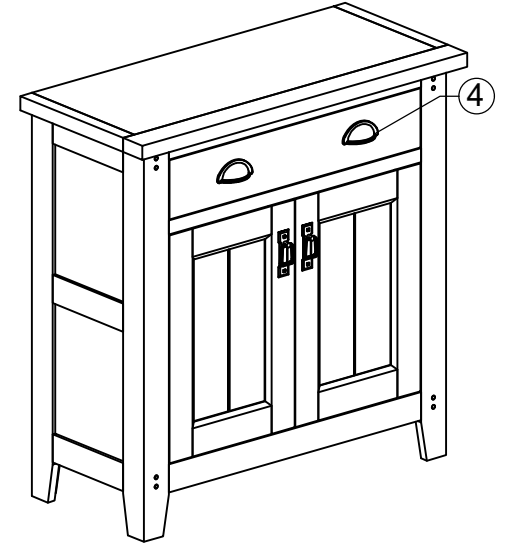
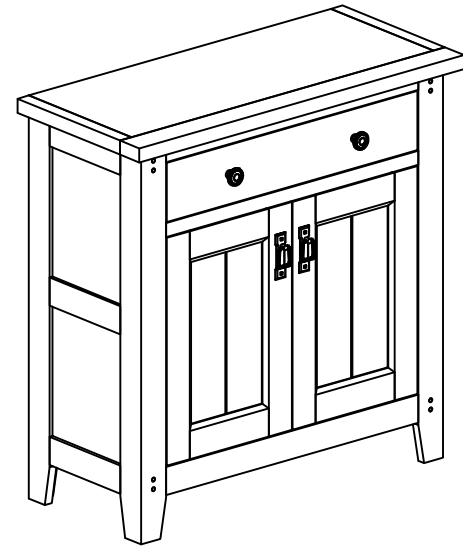


No	Name of Hardware	Q.ty
①	Bracket 	2
②	Tie 	1
③	Screw M4 x 20 	2
④	Handle with bolt 	2 (Sets)

### STEP 3



### FINAL



OPTION 2 : Replace the knob handles with the cup handles.