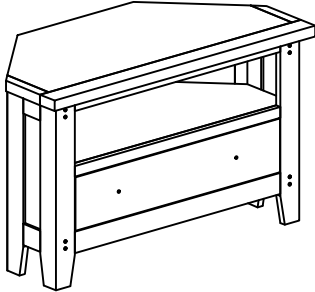

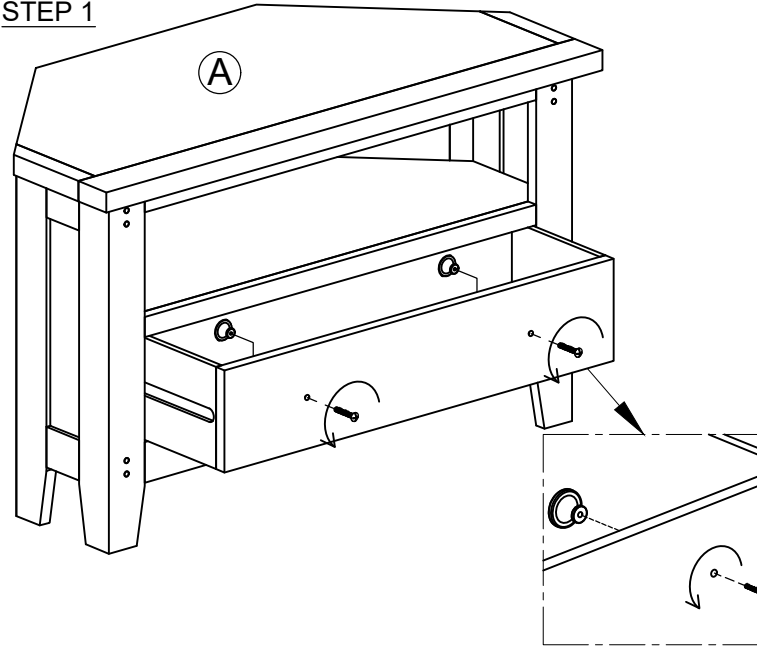


ASSEMBLY INSTRUCTION

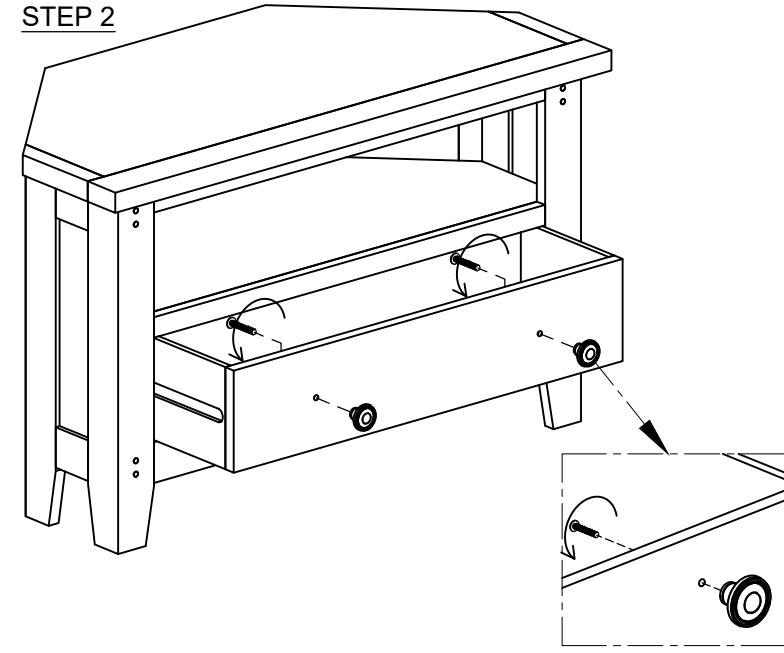
G5886 - CORNER TV UNIT WITH DRAWER

No	Name of Component	Q.ty
A		1
Name of Hardware		Q.ty
①	Handle with bolt 	2 (Sets)

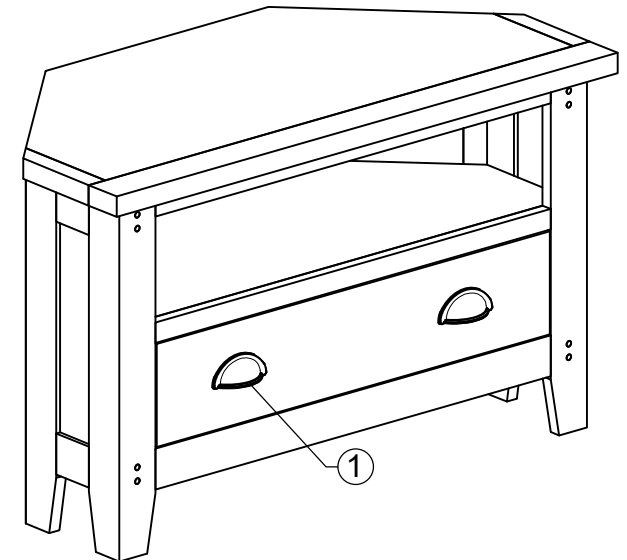
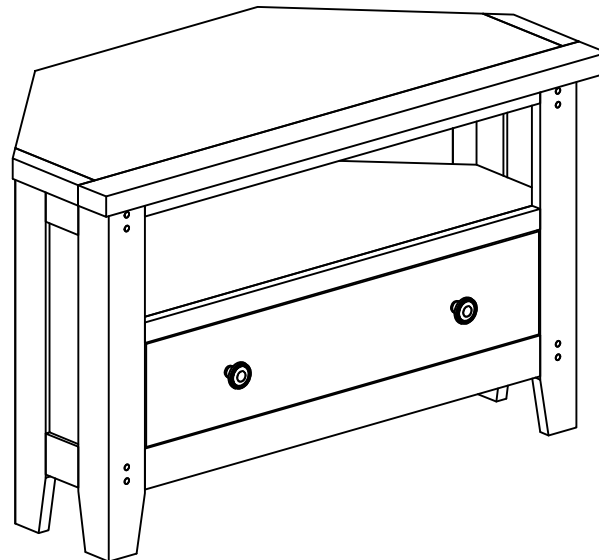
STEP 1



STEP 2



FINAL



OPTION 2 : Replace the knob handles with the cup handles.