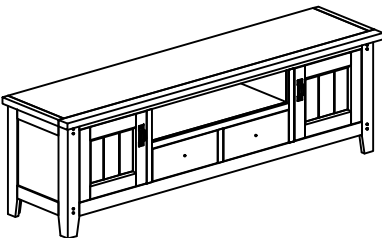

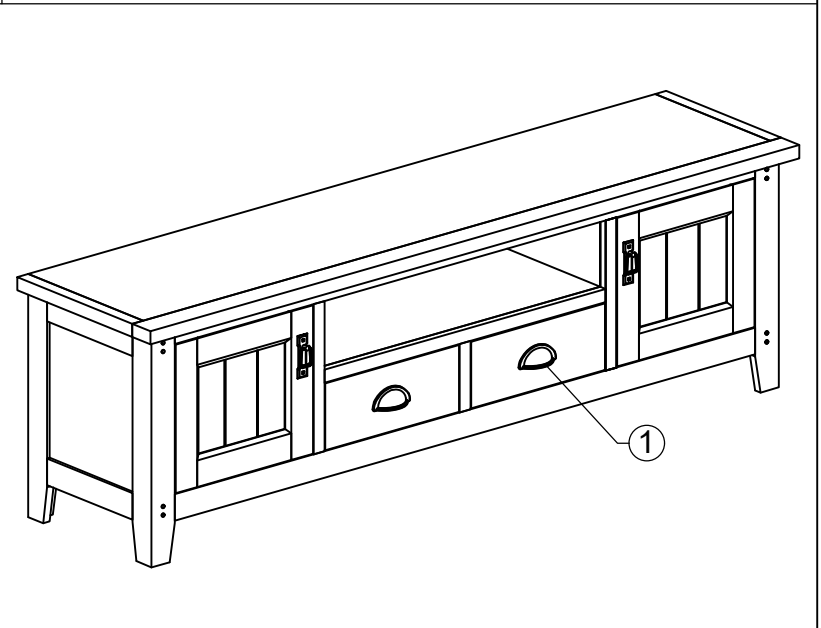
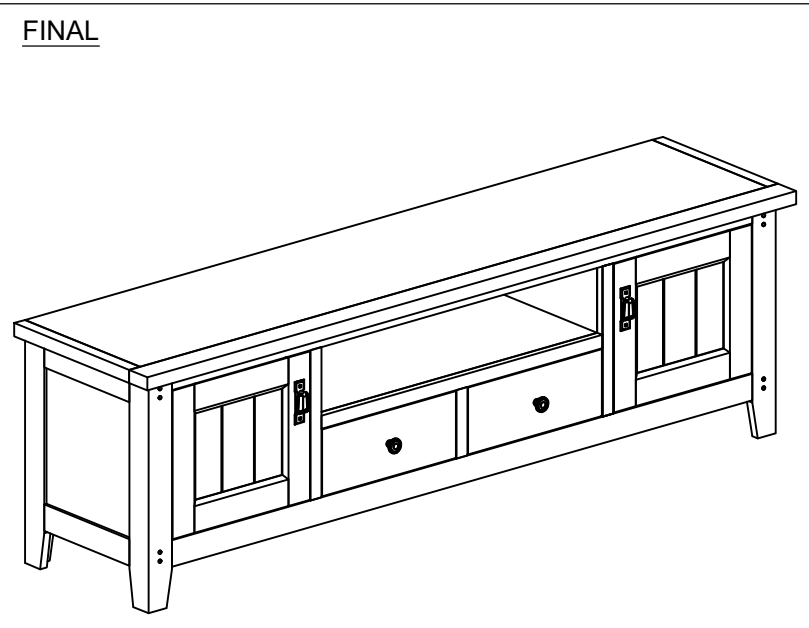
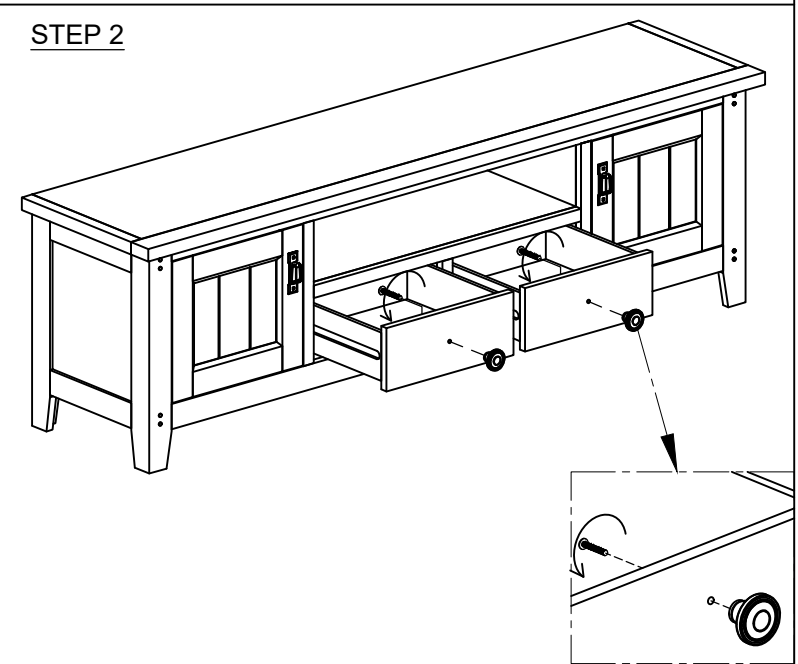
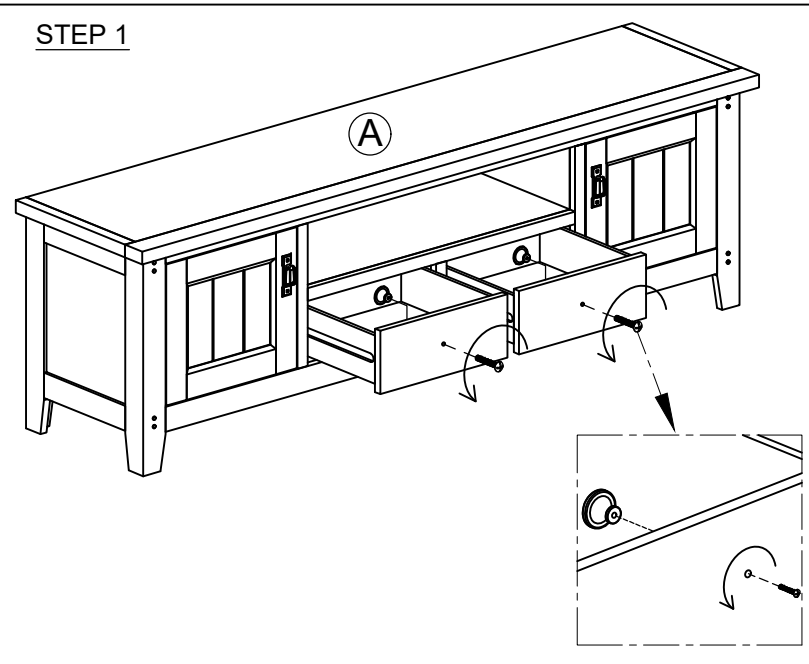


ASSEMBLY INSTRUCTION

G5884 - LARGE TV UNIT 1800

No	Name of Component	Q.ty
A		1
Name of Hardware		Q.ty
1	Handle with bolt 	2 (Sets)



OPTION 2 : Replace the knob handles with the cup handles.