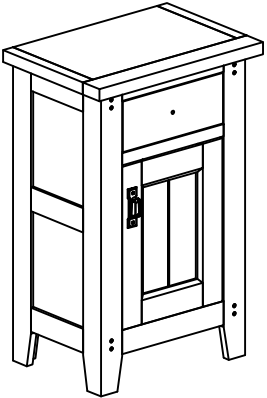
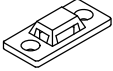

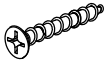

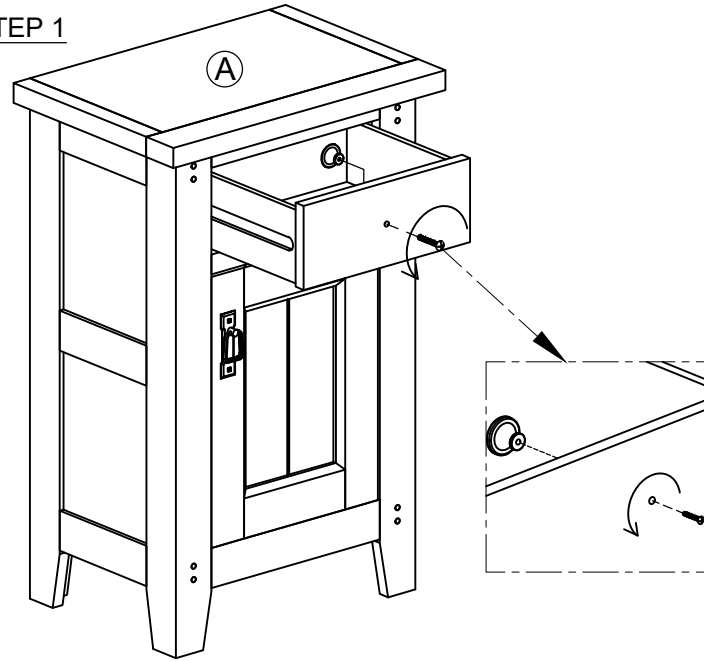


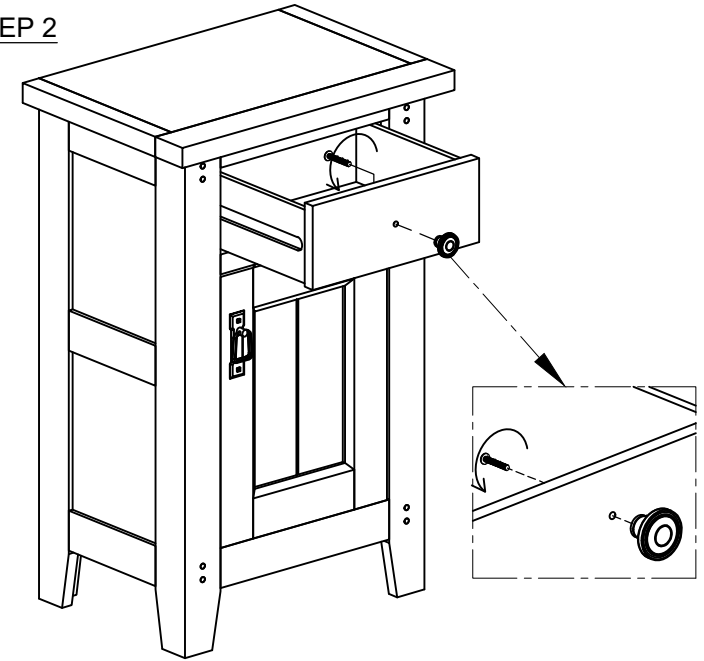
ASSEMBLY INSTRUCTION G5877 - TELEPHONE TABLE

No	Name of Component	Q.ty
A		1
Name of Hardware		Q.ty
①	Bracket 	2
②	Tie 	1
③	Screw M4 x 20 	2
④	Handle with bolt 	1 (Sets)

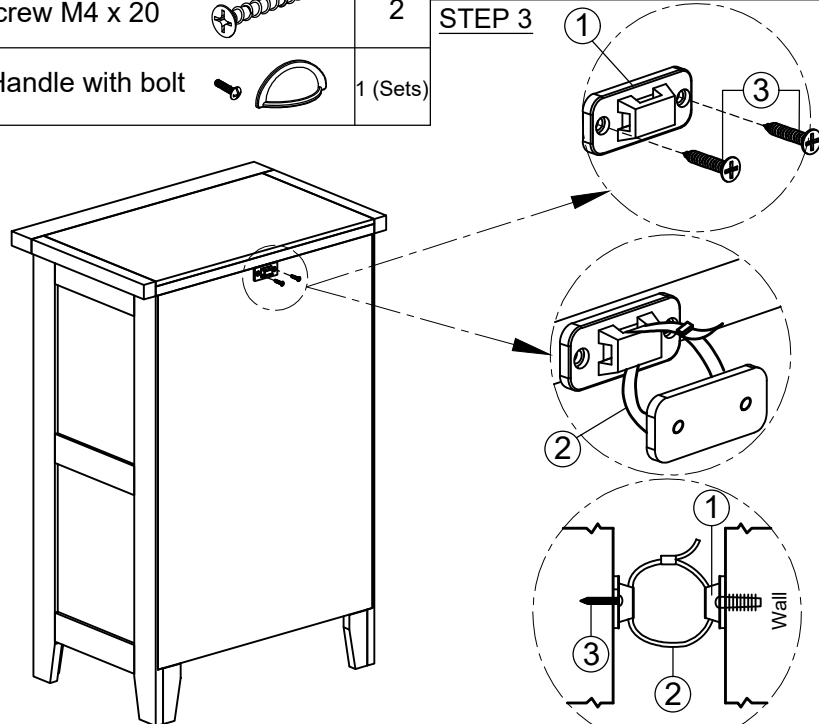
STEP 1



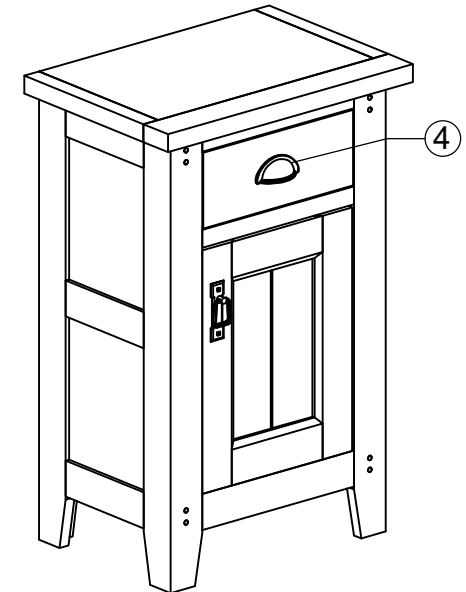
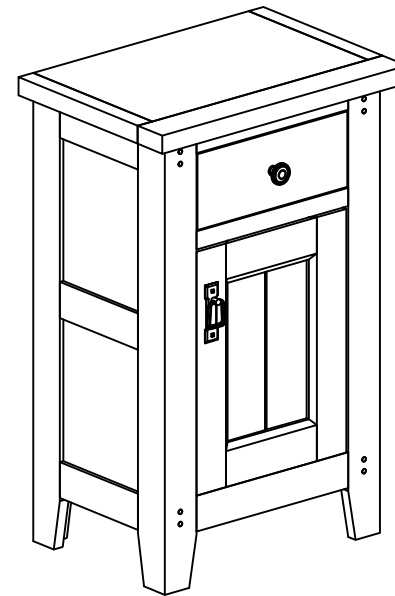
STEP 2



STEP 3



FINAL



OPTION 2 : Replace the knob handles with the cup handles.