

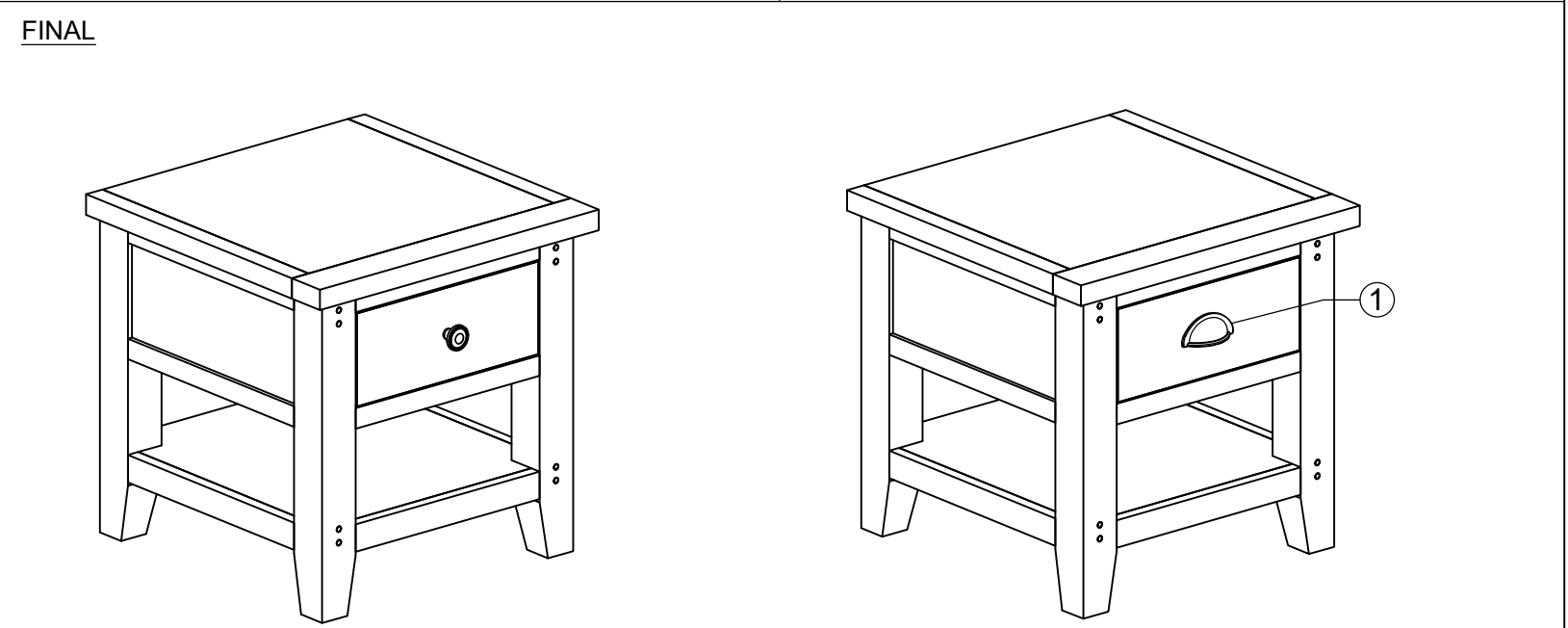
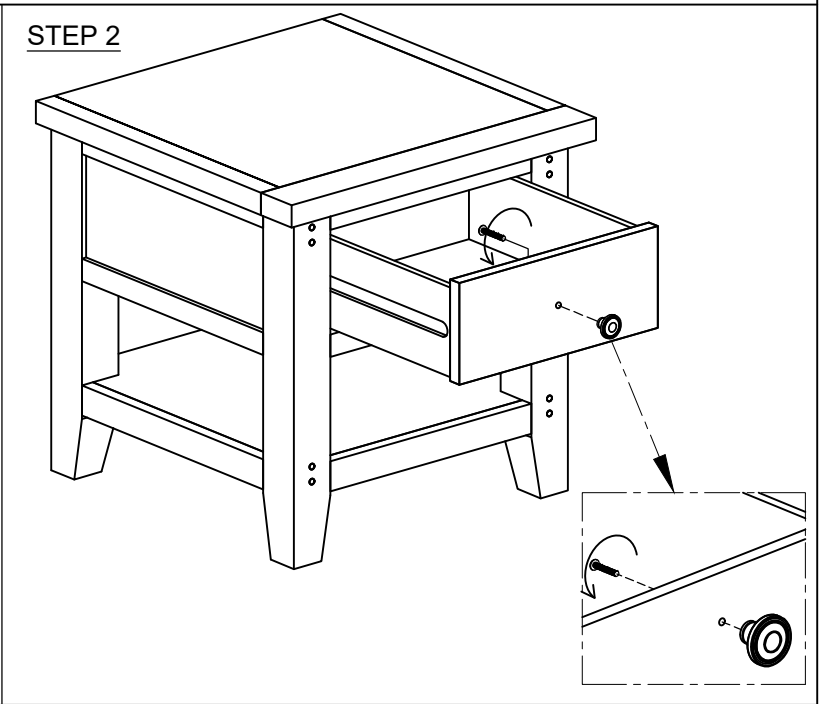
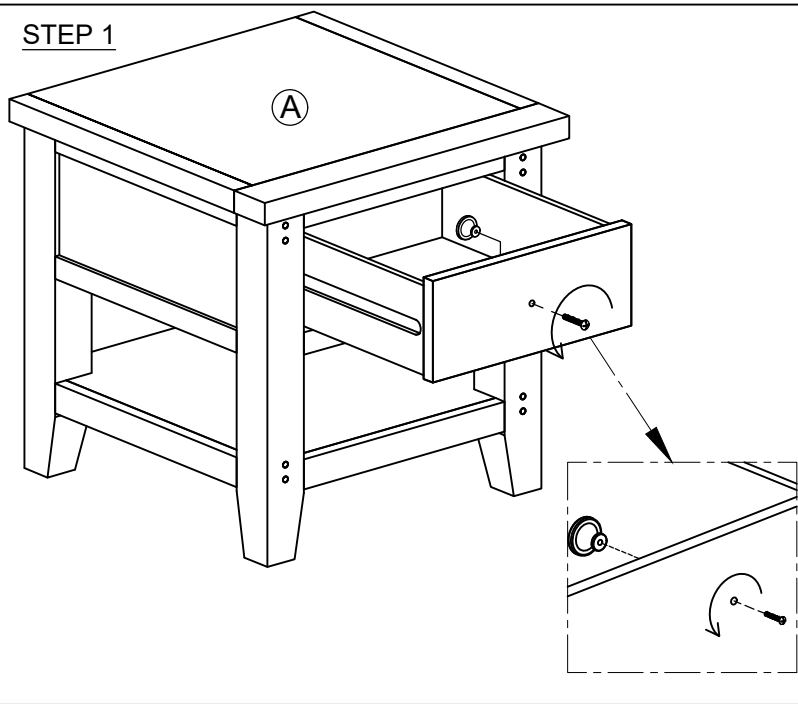


# ASSEMBLY INSTRUCTION

## G5876 - LAMP TABLE WITH DRAWER

No	Name of Component	Q.ty
A		1
Name of Hardware		Q.ty
①	Handle with bolt 	1 (Sets)



OPTION 2 : Replace the knob handles with the cup handles.