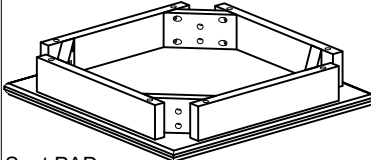
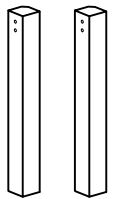
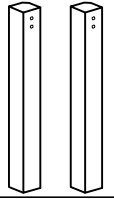



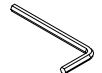
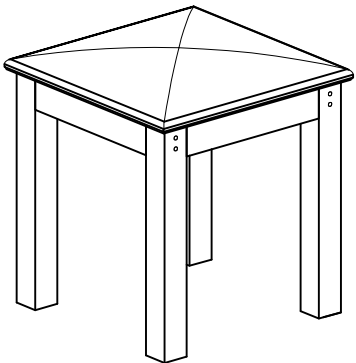
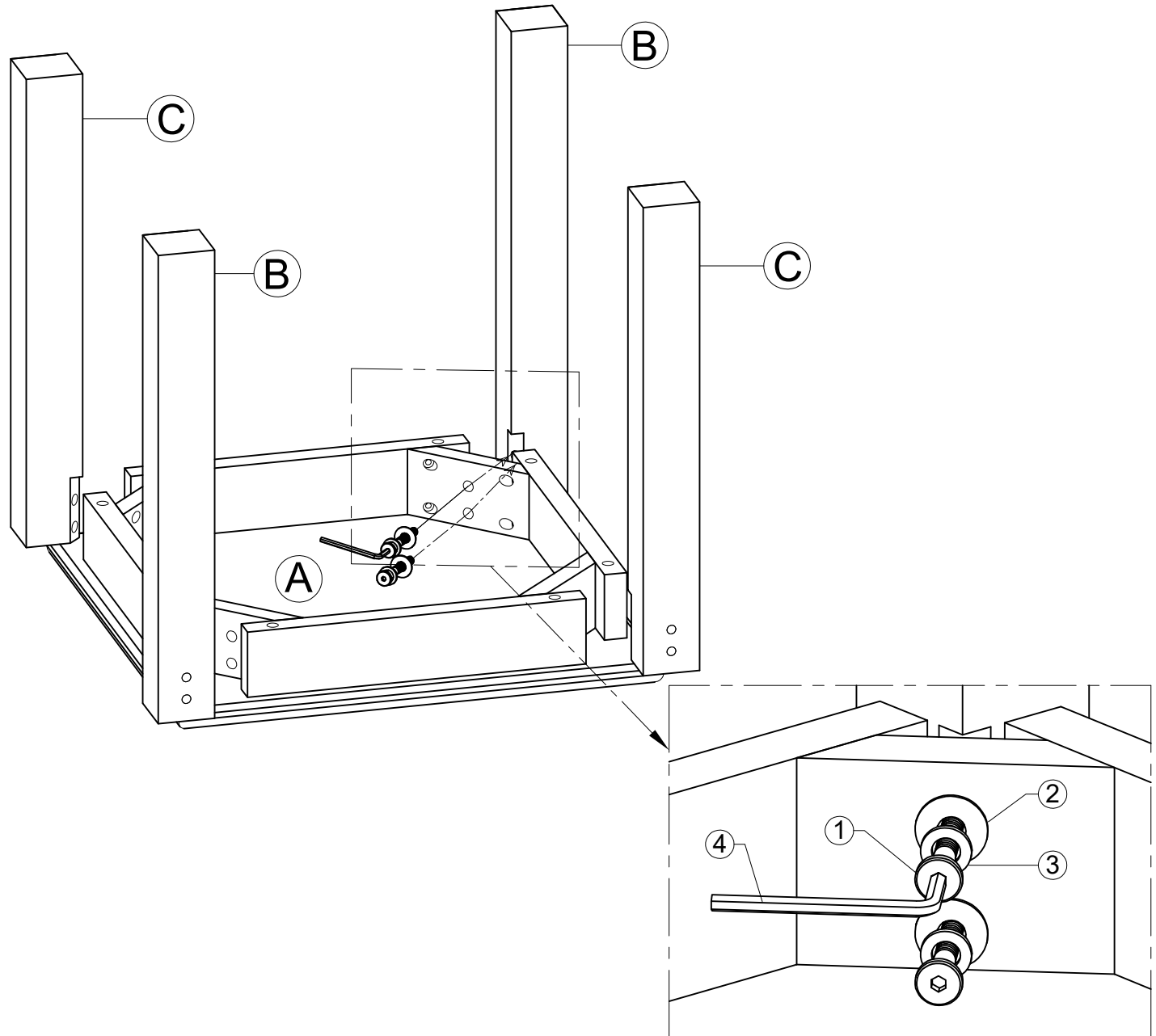


ASSEMBLY INSTRUCTION

G5875 - STOOL

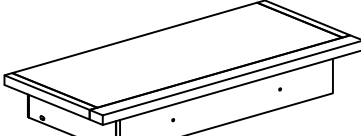
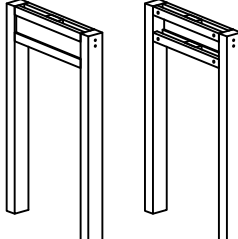
No	Name of Component	Q.ty
A	 Seat PAD	1
B	 Legs (Left)	2
C	 Legs (Right)	2
No	Name of Hardware	Q.ty
1	 Bolt M6 x 50	8
2	 Washer Ø7/Ø15 x 1	8
3	 Spring washer M6	8
4	 Allen key (K4)	1

STEP 1

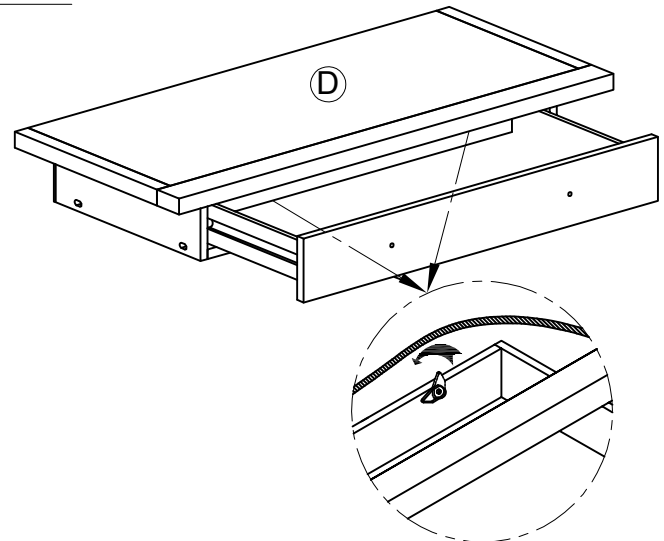


ASSEMBLY INSTRUCTION

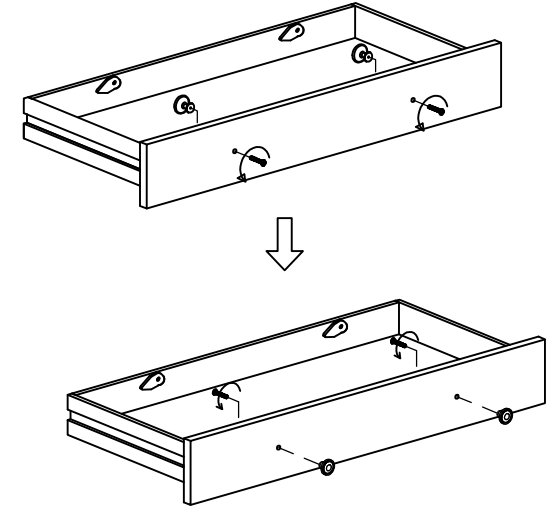
G5875 - TABLE + MIRROR







No	Name of Component	Q.ty
Ⓓ	 Table top frame	1
Ⓔ	 Leg Frame	2

STEP 2 : Take out Drawers

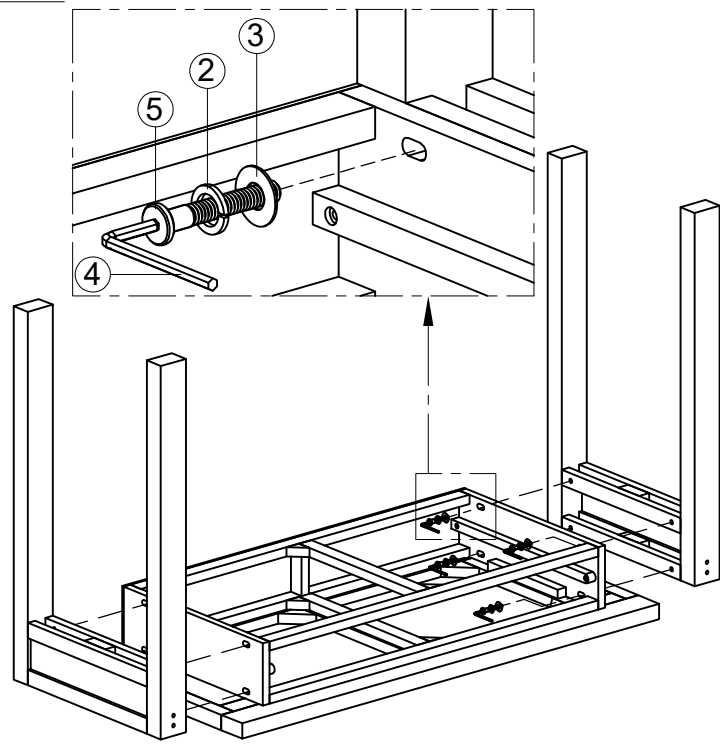


STEP 3

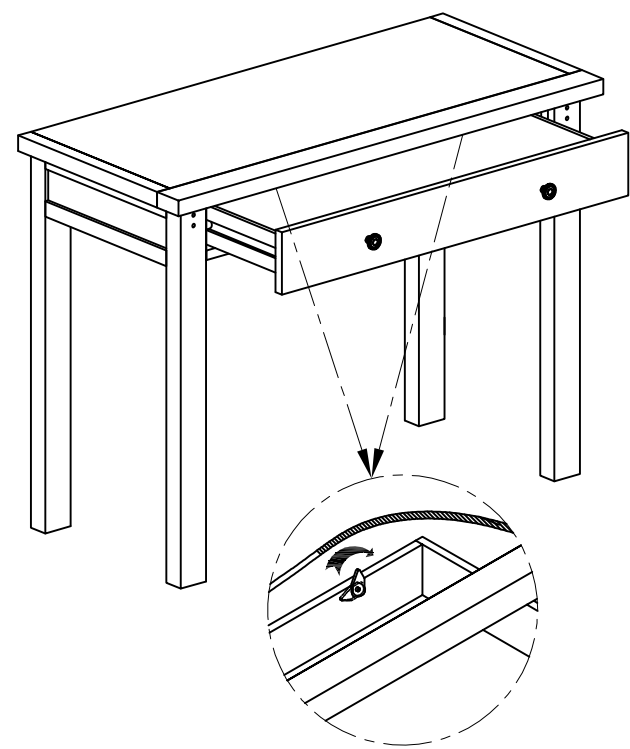


No	Name of Hardware	Q.ty
Ⓐ	Washer $\varnothing 7/\varnothing 15 \times 1$ 	8
Ⓑ	Spring Washer $\varnothing 7/\varnothing 10$ 	8
Ⓒ	Allen key (K4) 	1
Ⓓ	Bolt M6 x 40 	8
Ⓔ	Bracket 	2
Ⓕ	Tie 	1
Ⓖ	Screw $\varnothing 4 \times 20$ 	4
Ⓗ	Handle with bolt 	2 (Sets)

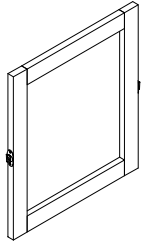
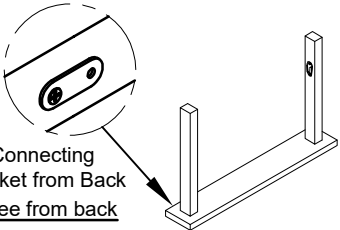
STEP 4



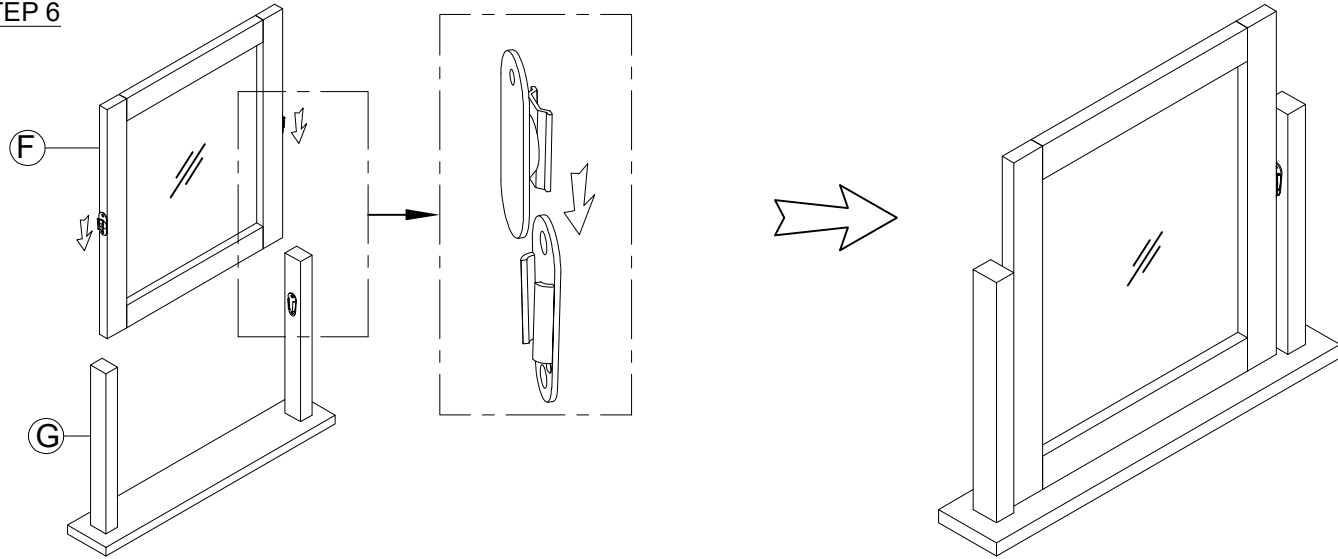
STEP 5



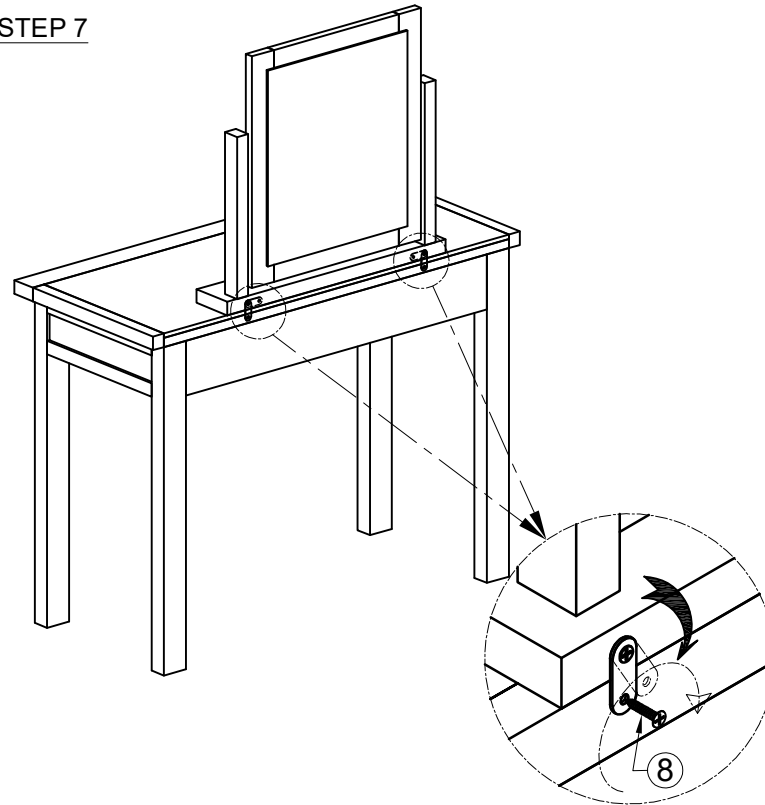
ASSEMBLY INSTRUCTION G5875 - TABLE + MIRROR

No	Name of Component	Q.ty
F	 Mirror frame	1
G	 Fix Connecting Bracket from Back <u>See from back</u> Support mirror	1

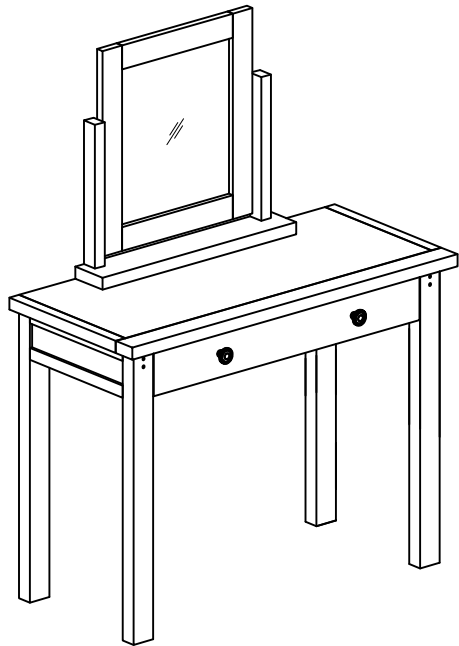
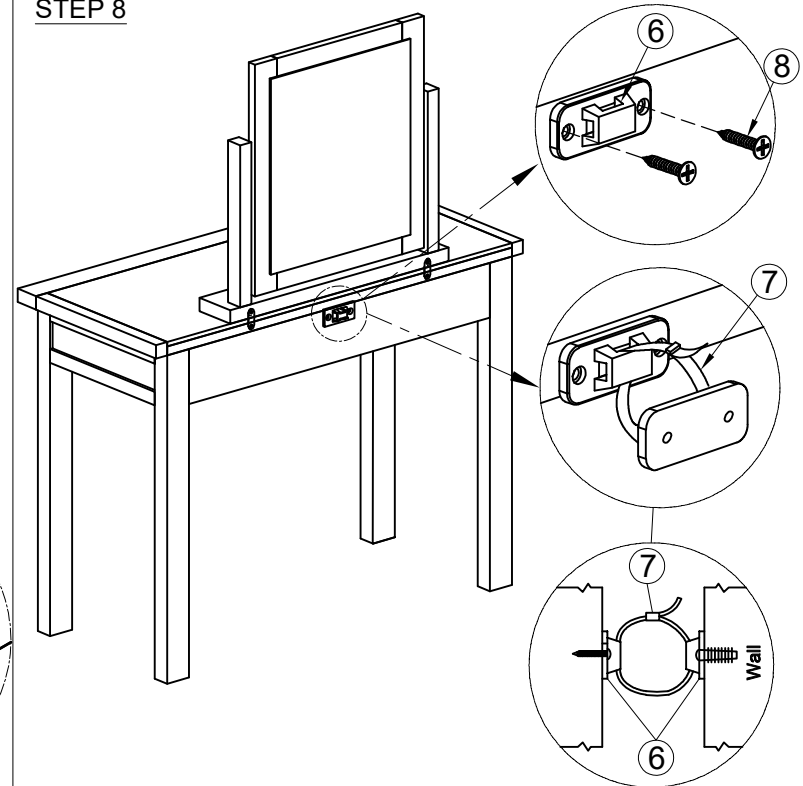
STEP 6



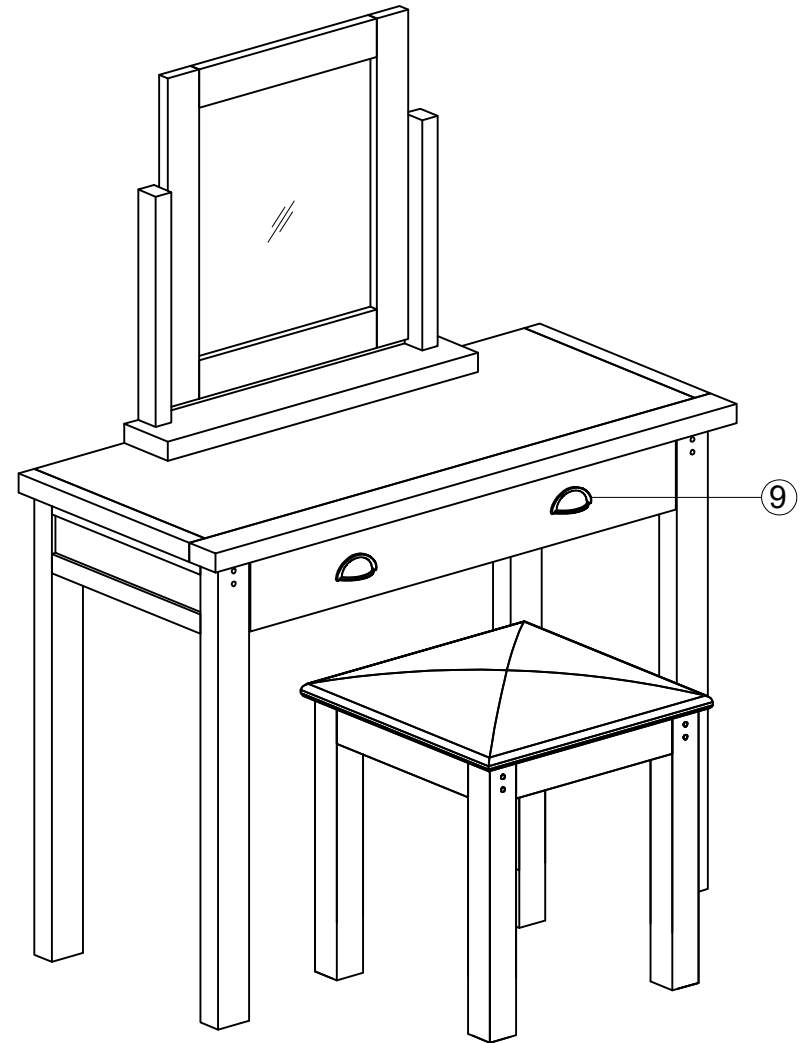
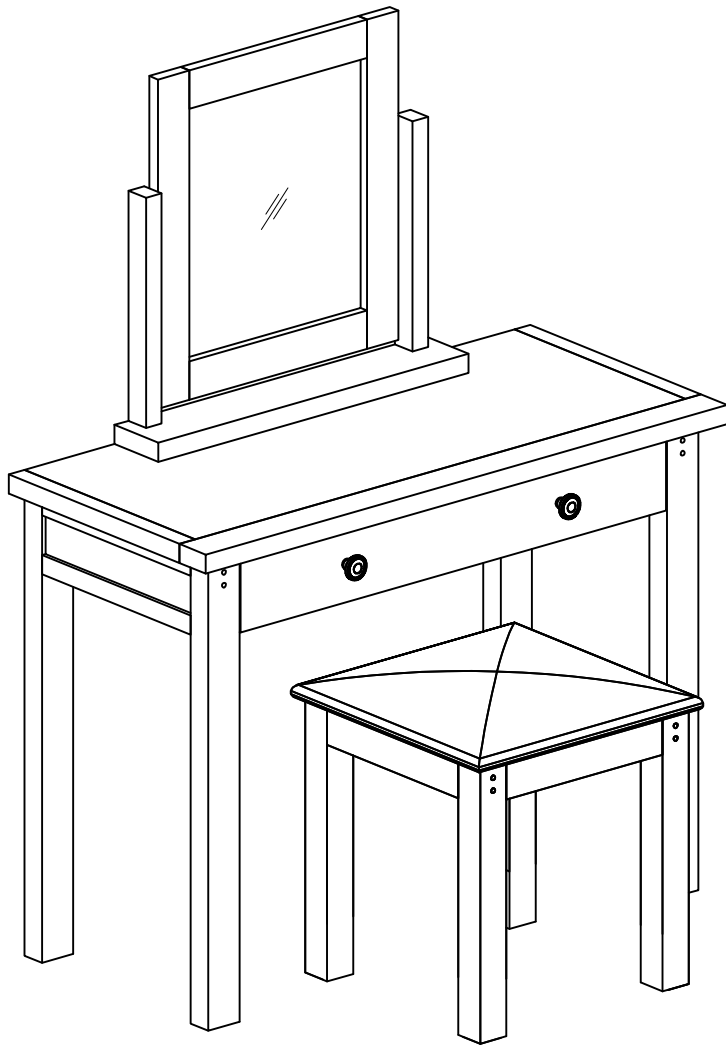
STEP 7



STEP 8



FINAL



OPTION 2 : Replace the knob
handles with the cup handles .