









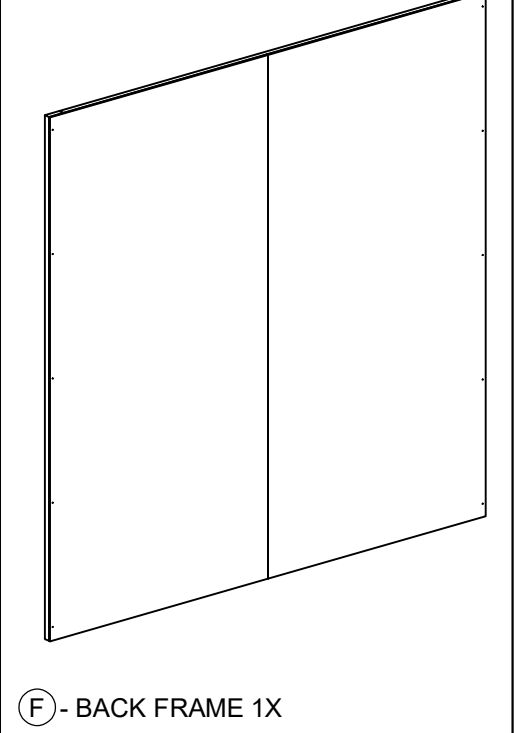
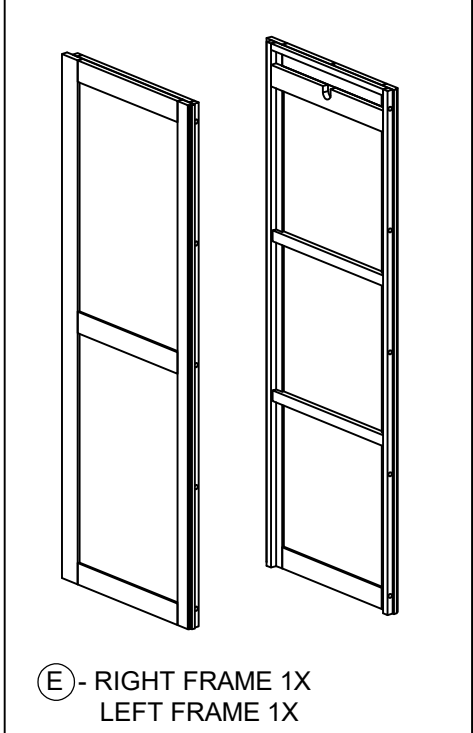
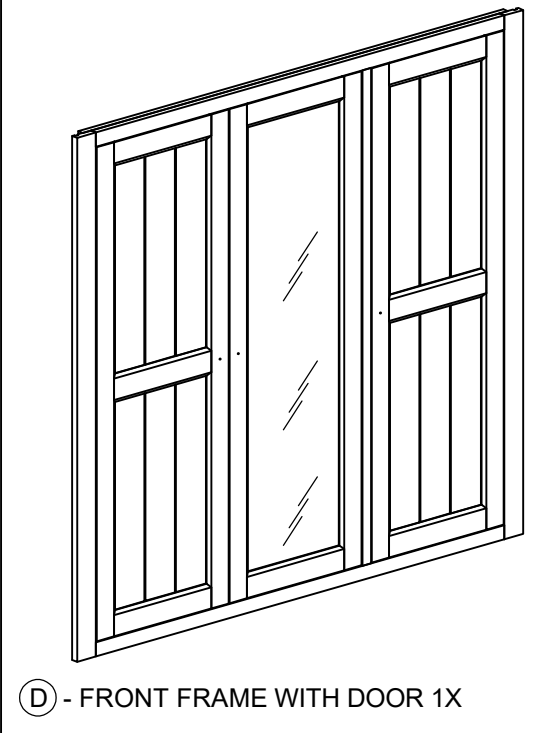
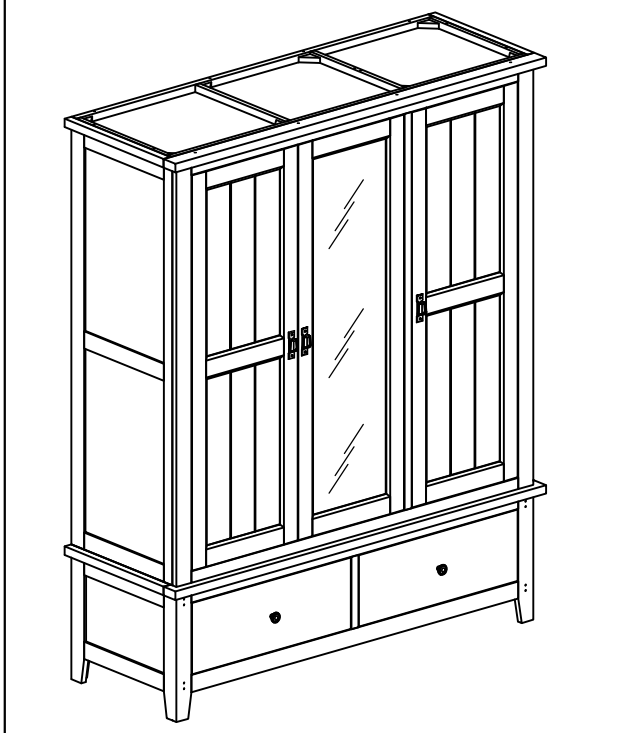
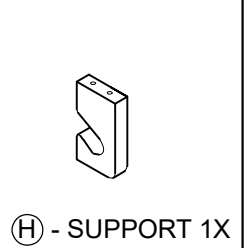
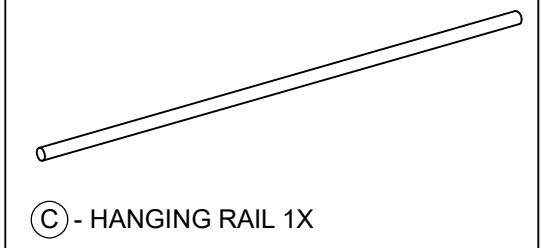
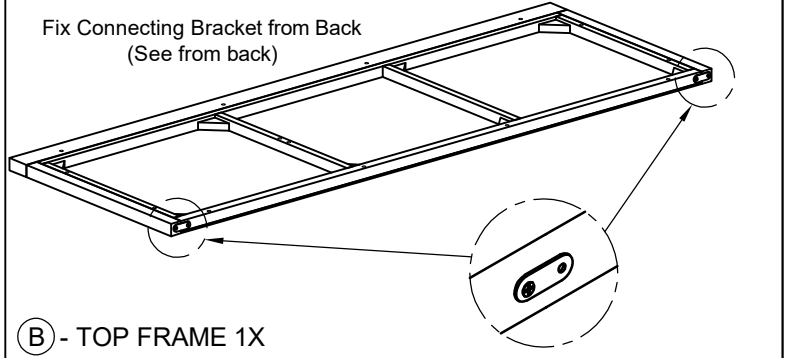
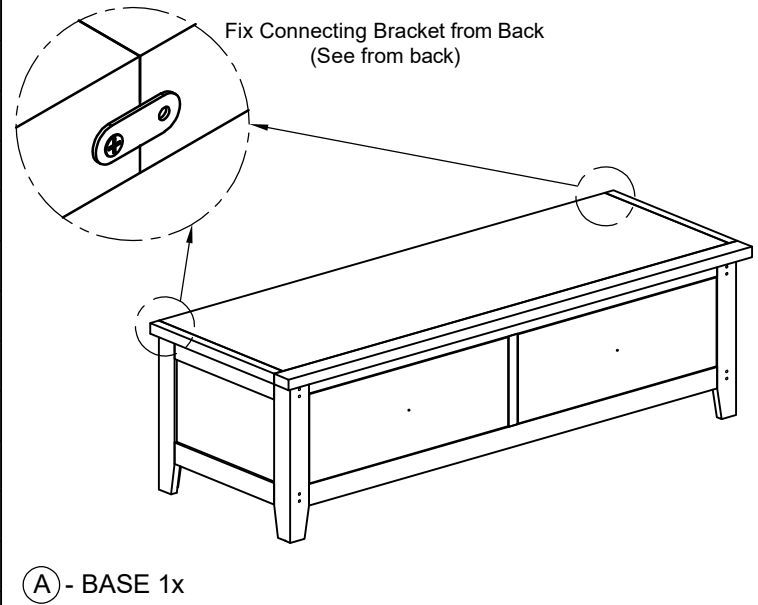


# ASSEMBLY INSTRUCTION

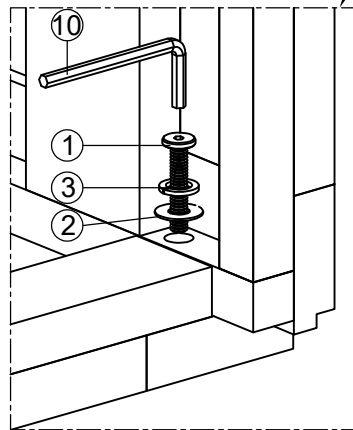
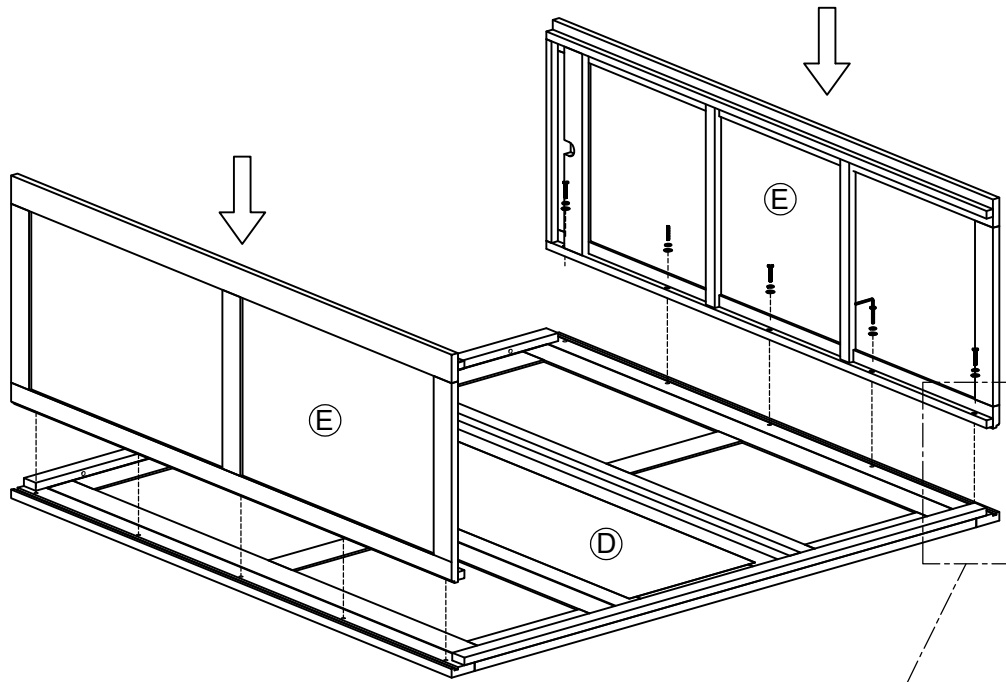
## G5873 - TRIPBLE WARDROBE

No	HARDWARE LIST	Q.TY
①	Bolt M6x35 	10
②	Washer 	10
③	Spring Washer 	10
④	Screw Ø4x45 	4
⑤	Screw Ø4x35 	24
⑥	Screw Ø4x20 	6
⑦	Wooden Dowel Ø8x30 	1
⑧	Handle with bolt 	3 (Sets)
⑨	Handle with bolt 	2 (Sets)
⑩	Allen key K4 	1
⑪	Bracket 	2
⑫	Tie 	1

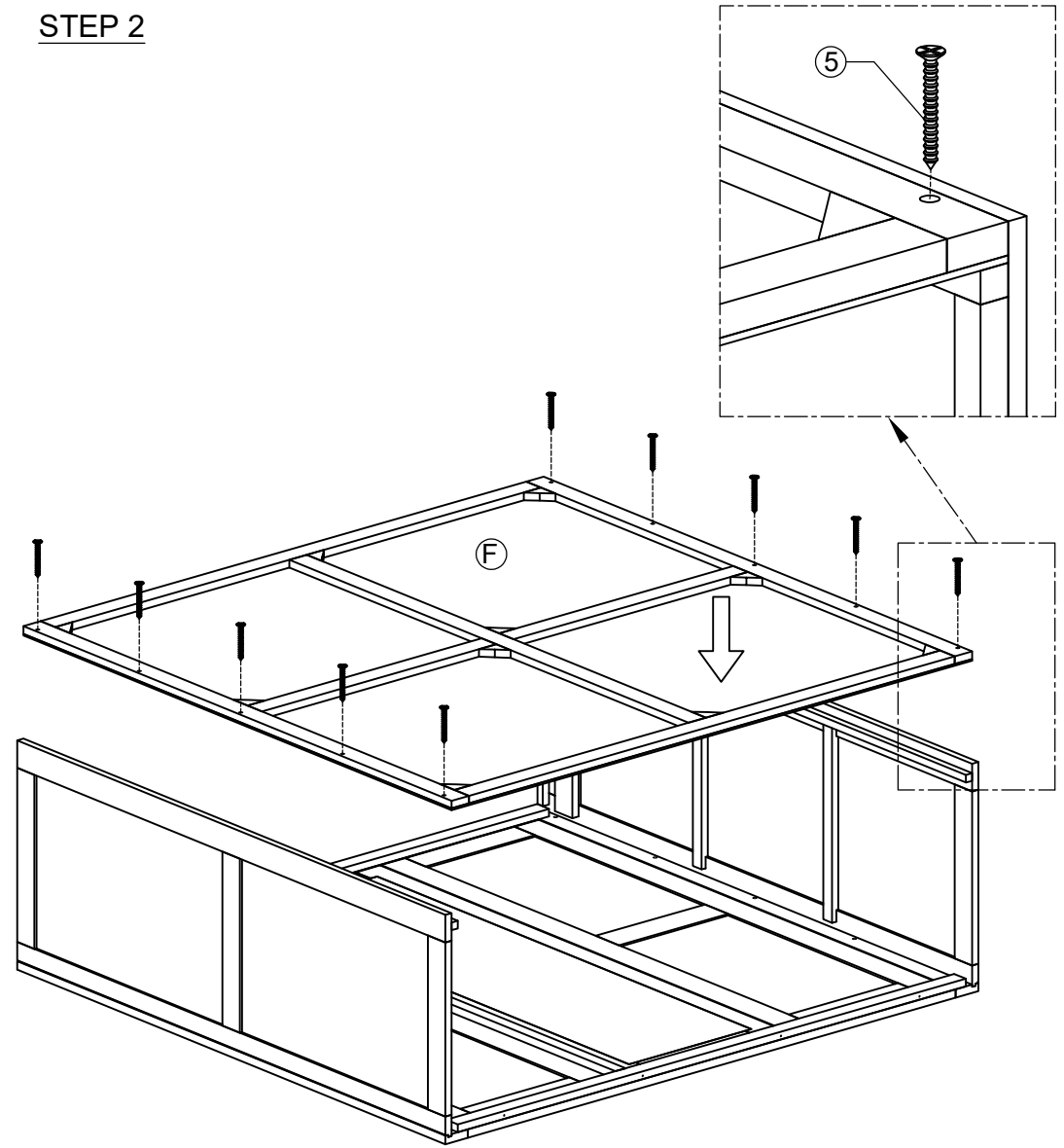


# ASSEMBLY INSTRUCTION G5873 - TRIPBLE WARDROBE

## STEP 1

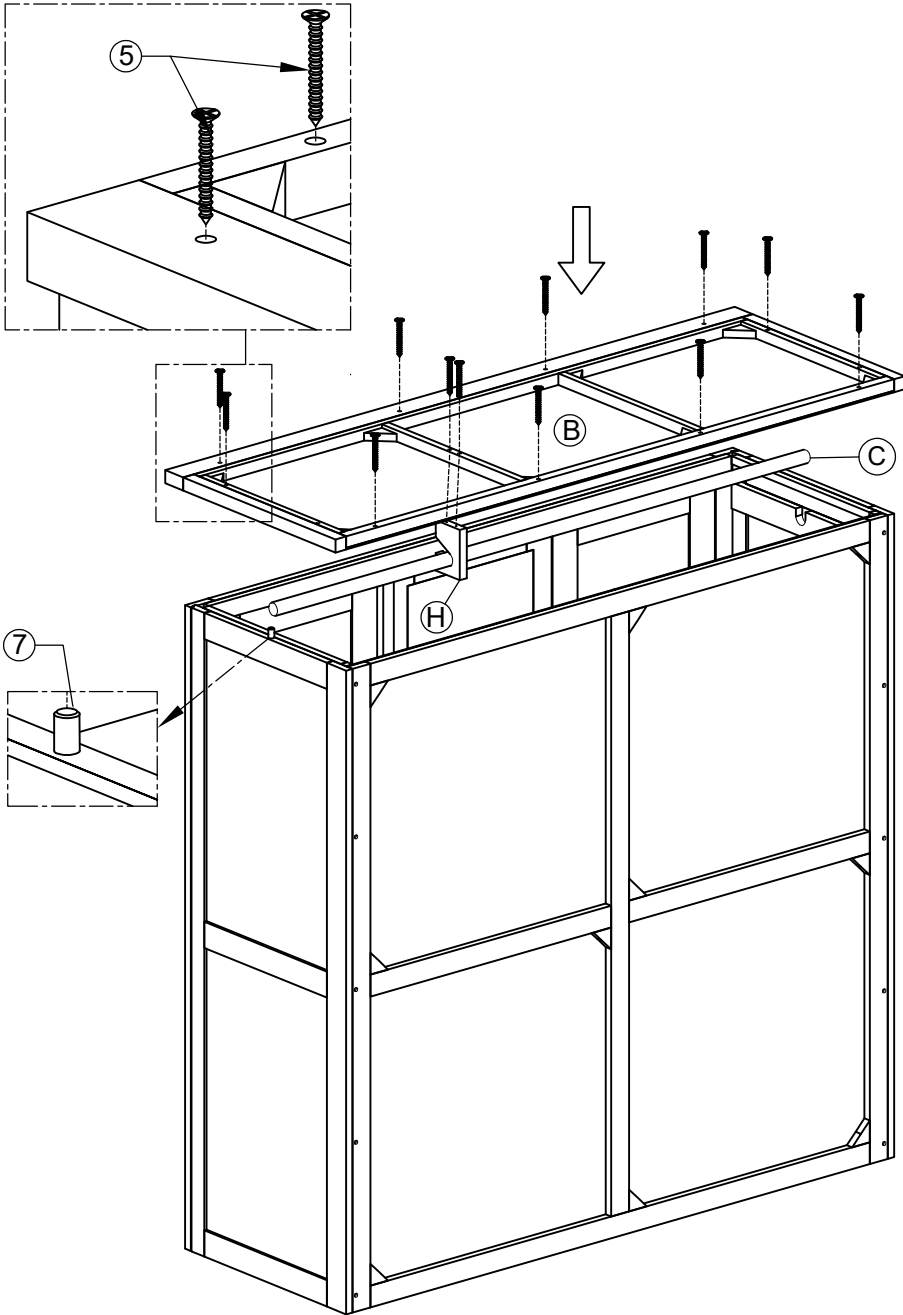


## STEP 2

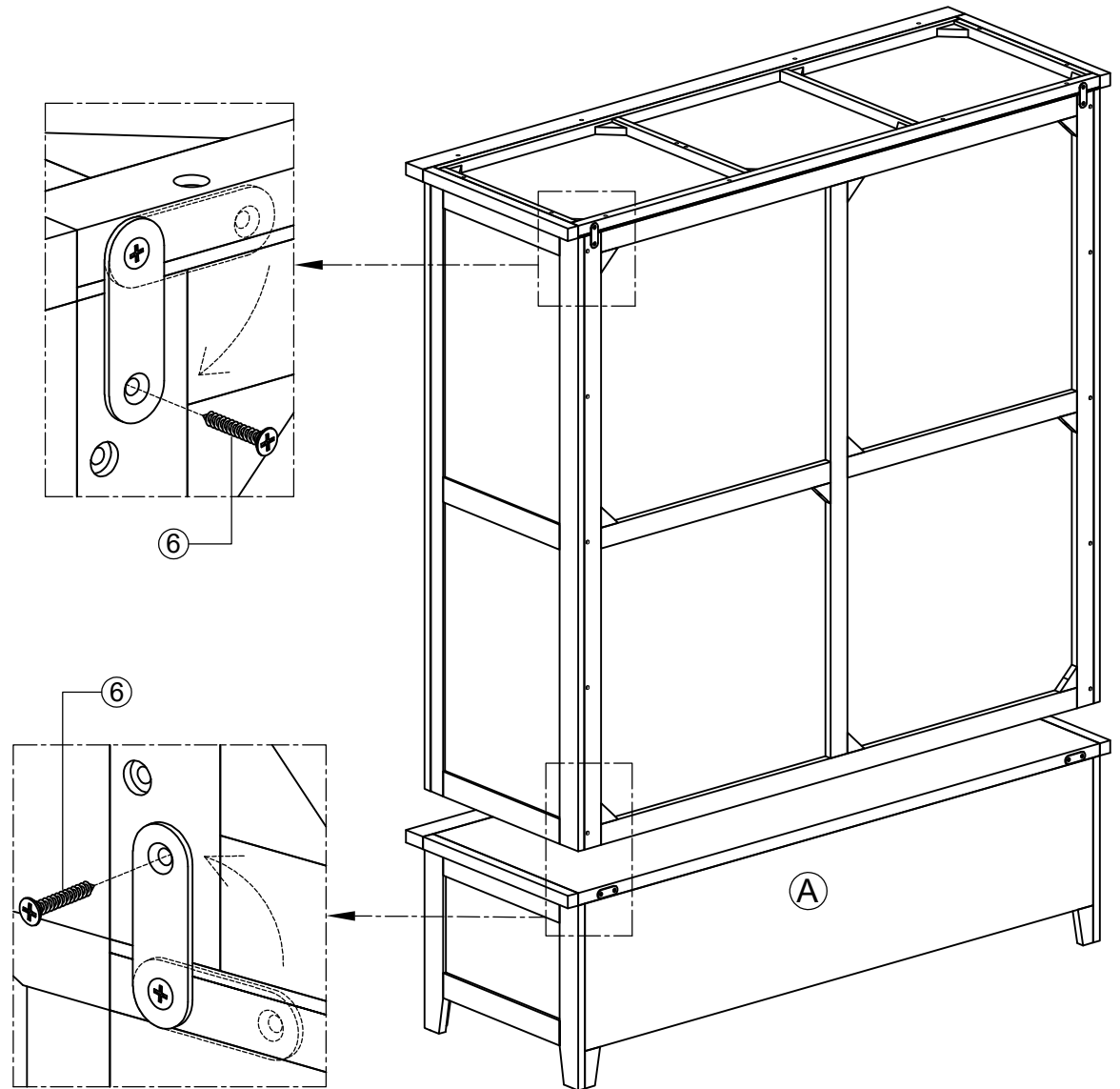


# ASSEMBLY INSTRUCTION G5873 - TRIPBLE WARDROBE

## STEP 3

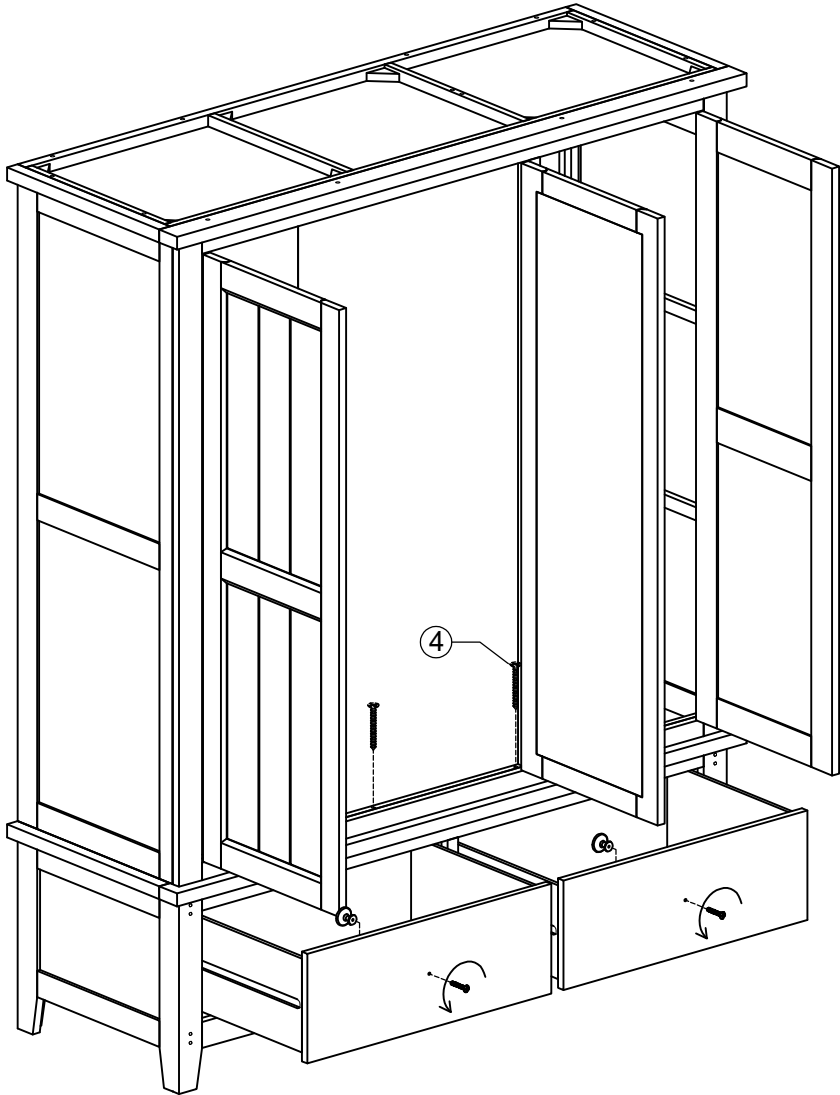


## STEP 4

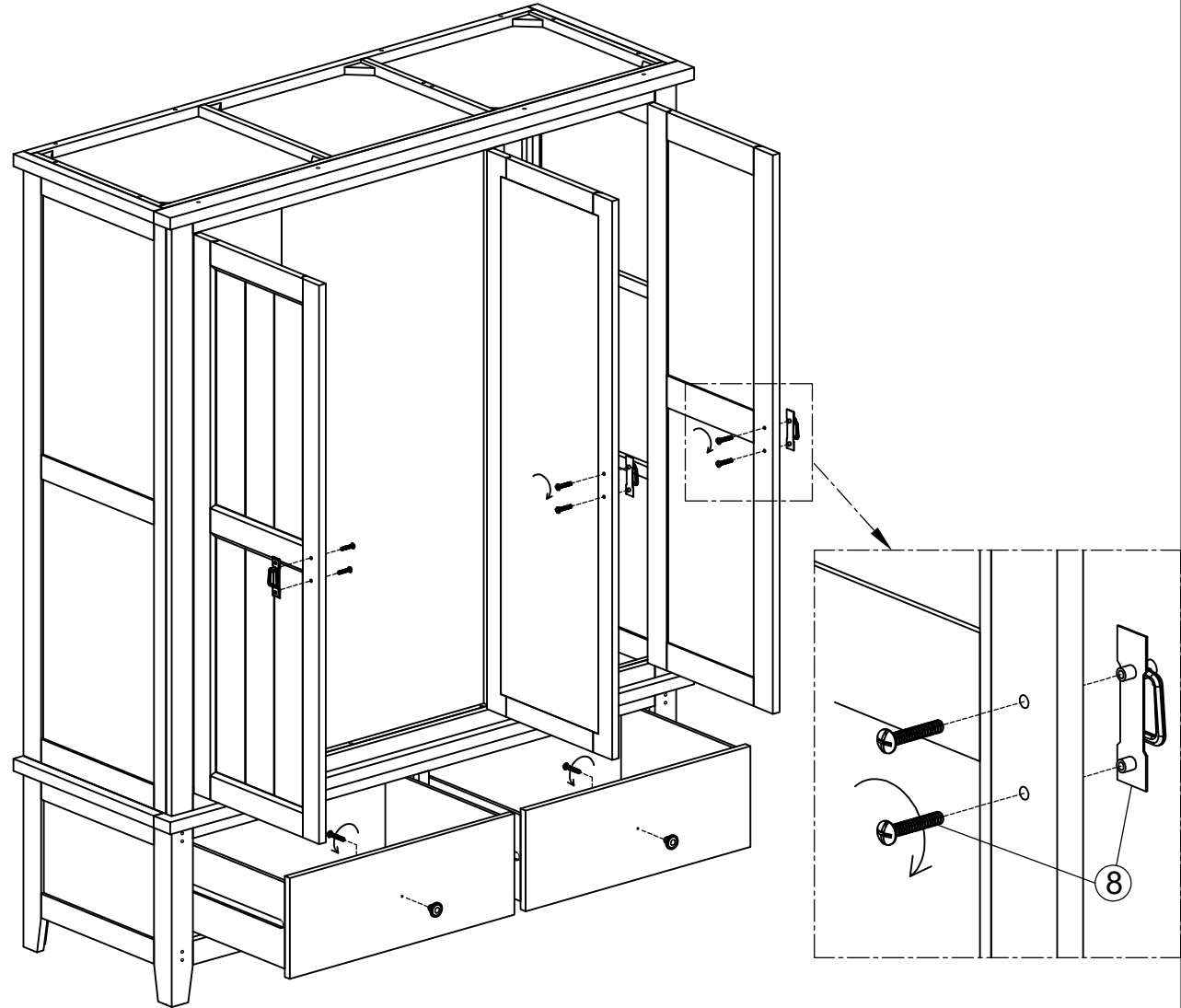


# ASSEMBLY INSTRUCTION G5873 - TRIPBLE WARDROBE

## STEP 5

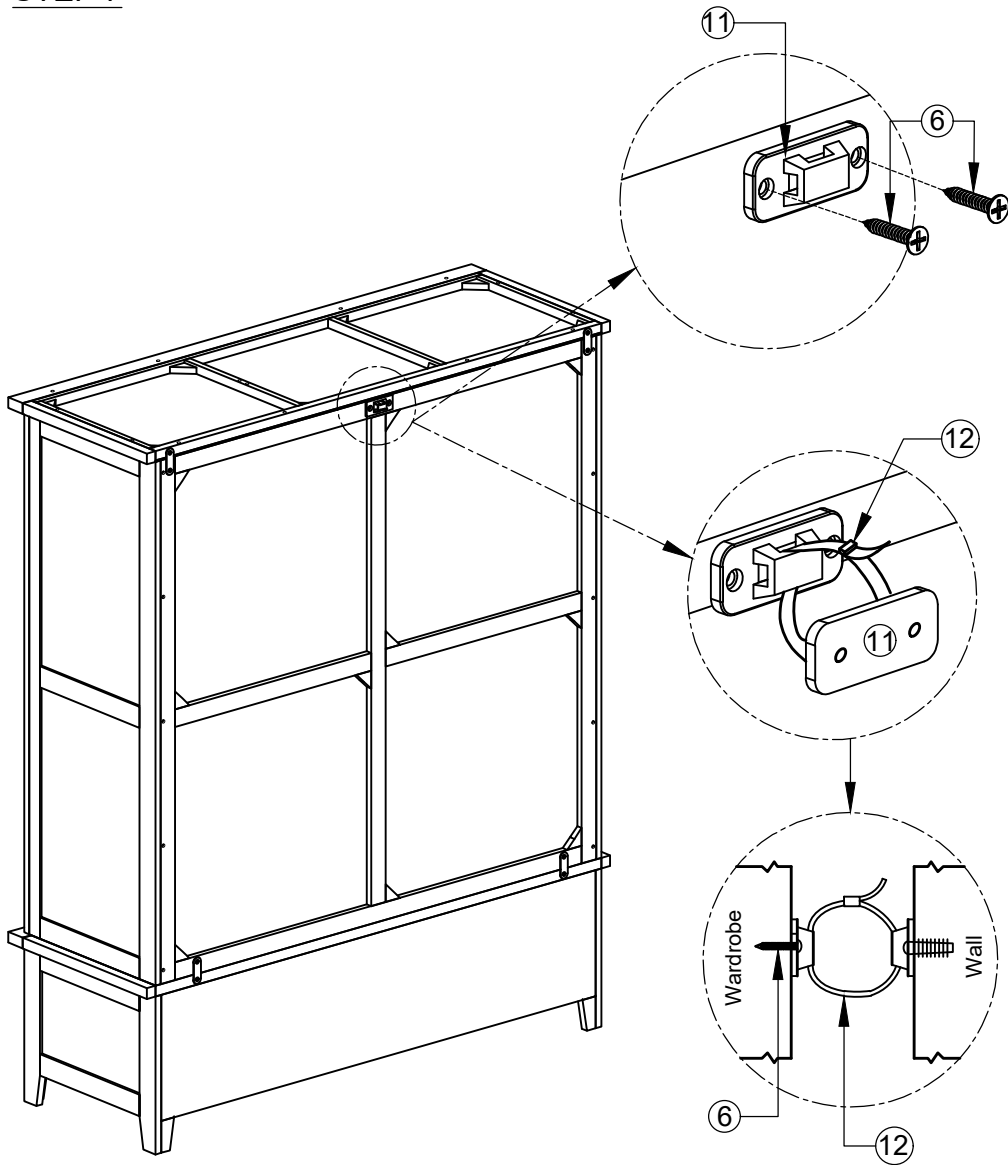


## STEP 6

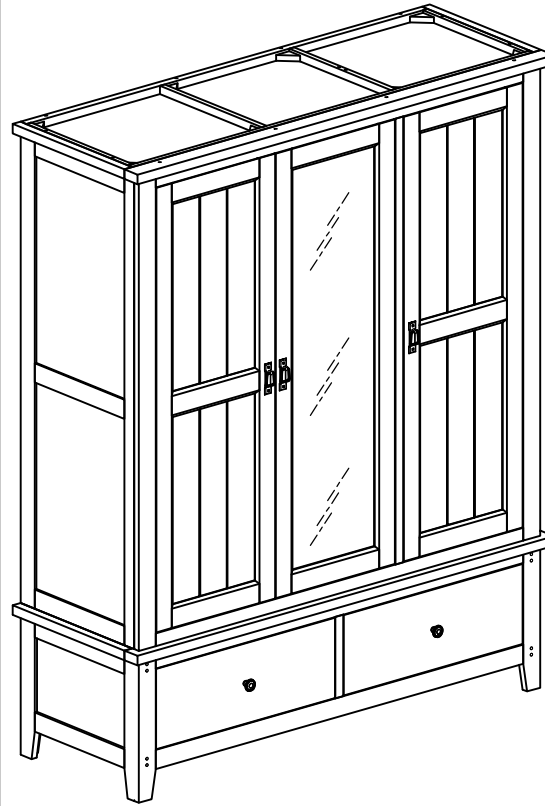


**ASSEMBLY INSTRUCTION**  
**G5873 - TRIPBLE WARDROBE**

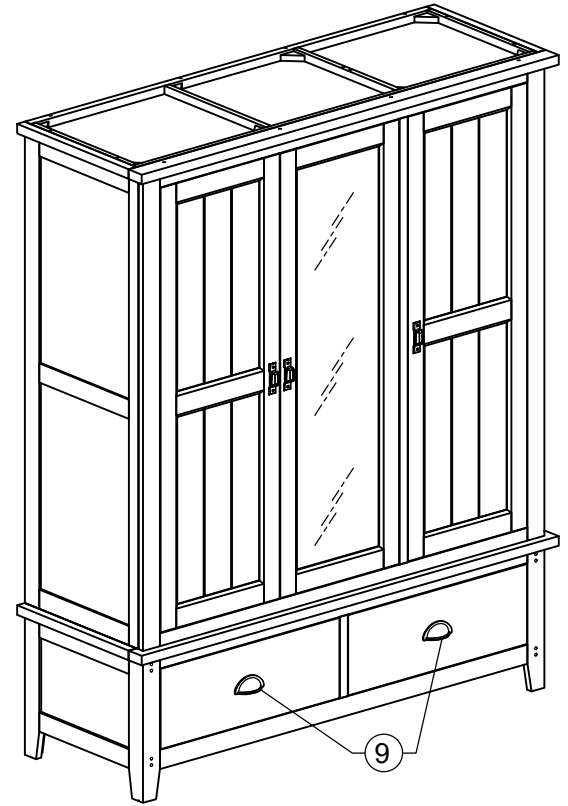
STEP 7



FINAL



OPTION 1



OPTION 2 : Replace the knob handles with the cup handles .