


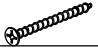






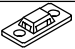

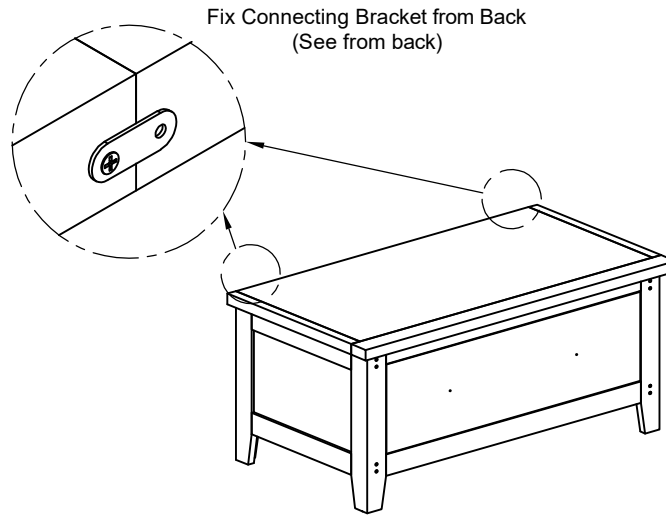


ASSEMBLY INSTRUCTION

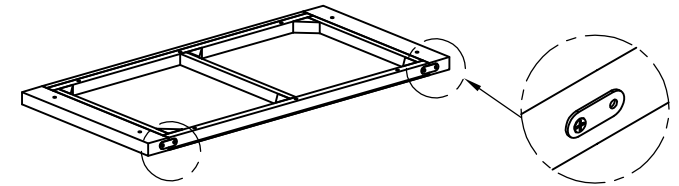
G5872 - GENTS WARDROBE

No	HARDWARE LIST	Q.TY
①	Bolt M6x35 	10
②	Washer 	10
③	Spring Washer 	10
④	Screw Ø4x45 	3
⑤	Screw Ø4x35 	20
⑥	Screw Ø4x20 	6
⑦	Wooden Dowel Ø8x30 	1
⑧	Handle with bolt 	2 (Sets)
⑨	Handle with bolt 	2 (Sets)
⑩	Allen key K4 	1
⑪	Bracket 	2
⑫	Tie 	1

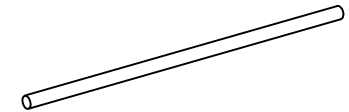


Ⓐ - BASE 1x

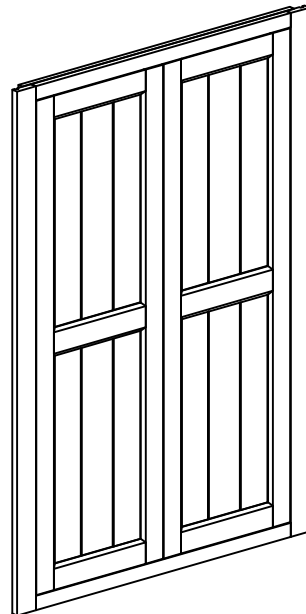
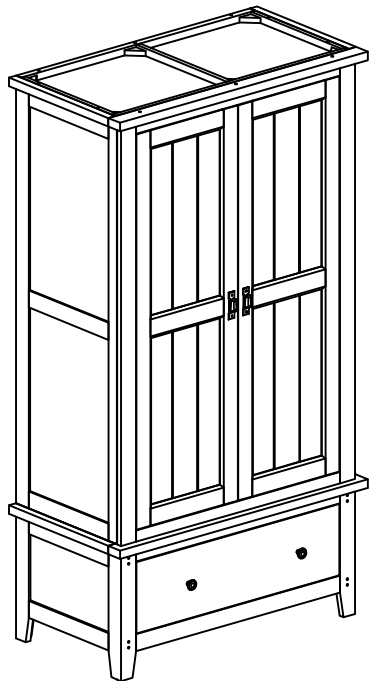
Fix Connecting Bracket from Back
(See from back)



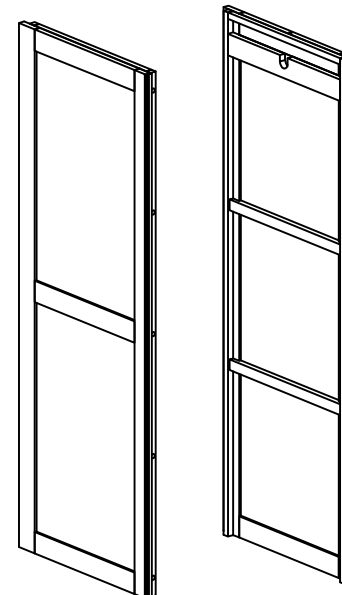
Ⓑ - TOP FRAME 1X



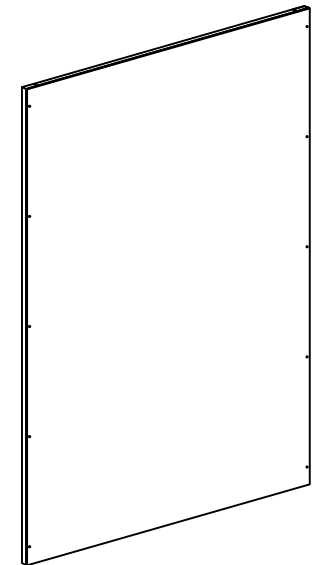
Ⓒ - HANGING RAIL 1X



Ⓓ - FRONT FRAME WITH DOOR 1X



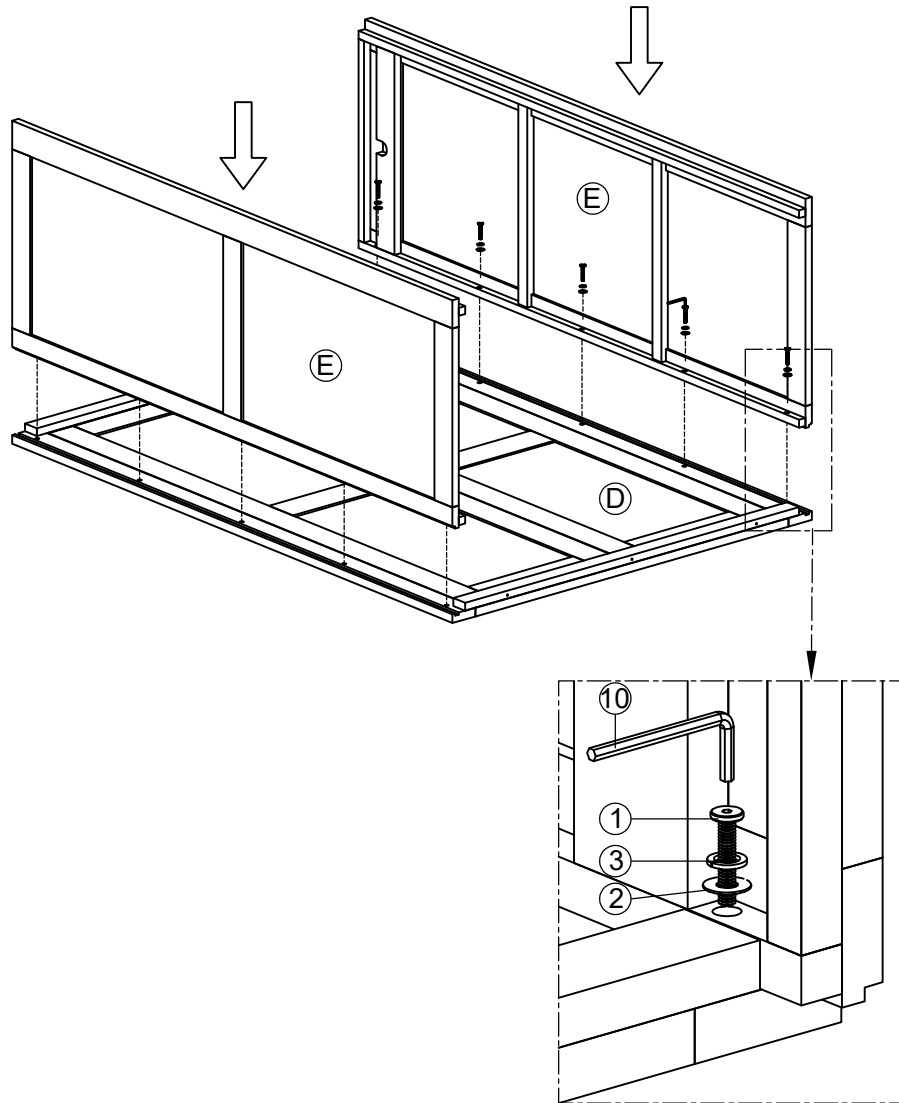
Ⓔ - RIGHT FRAME 1X
LEFT FRAME 1X



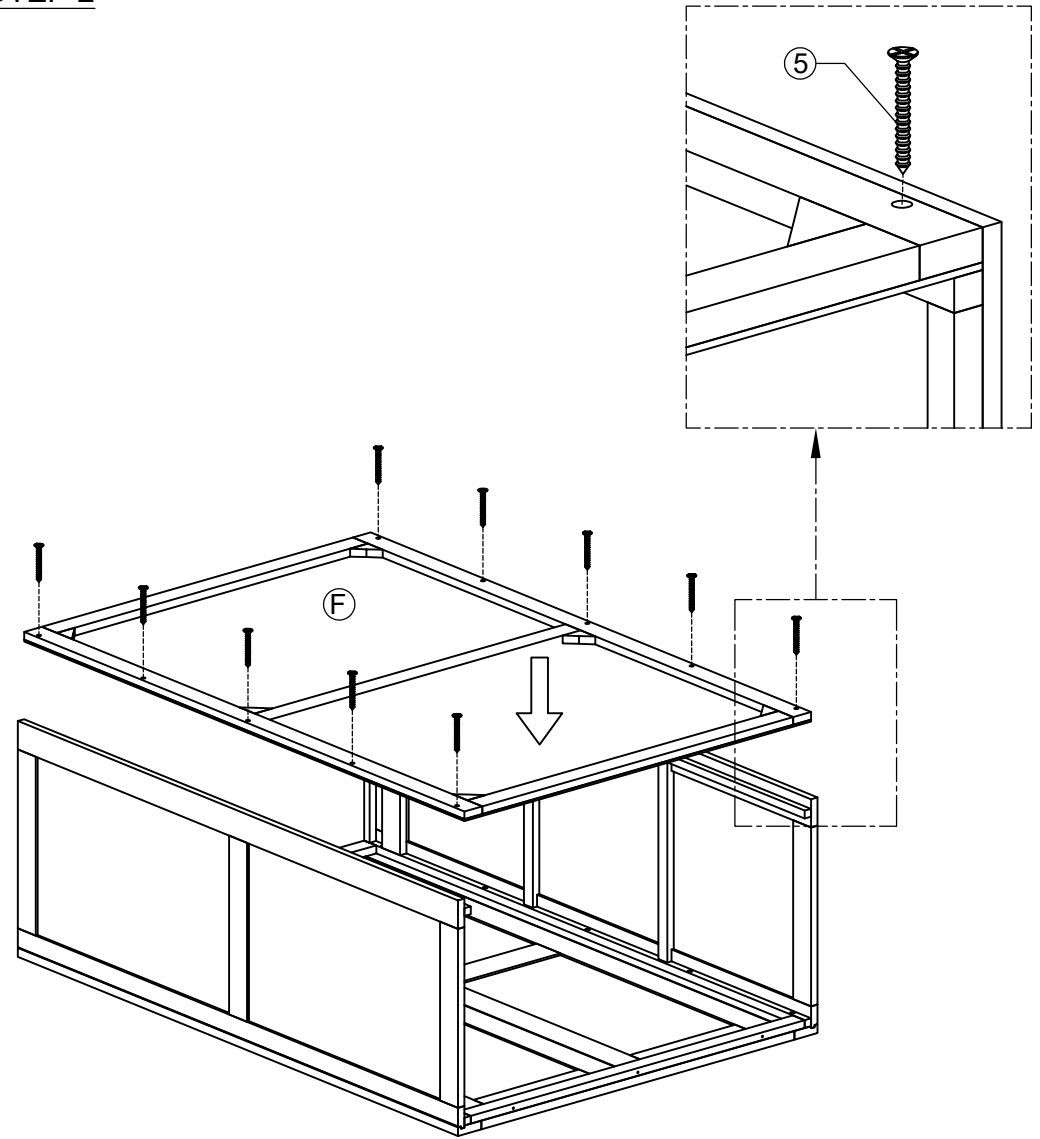
Ⓕ - BACK FRAME 1X

ASSEMBLY INSTRUCTION
G5872 - GENTS WARDROBE

STEP 1

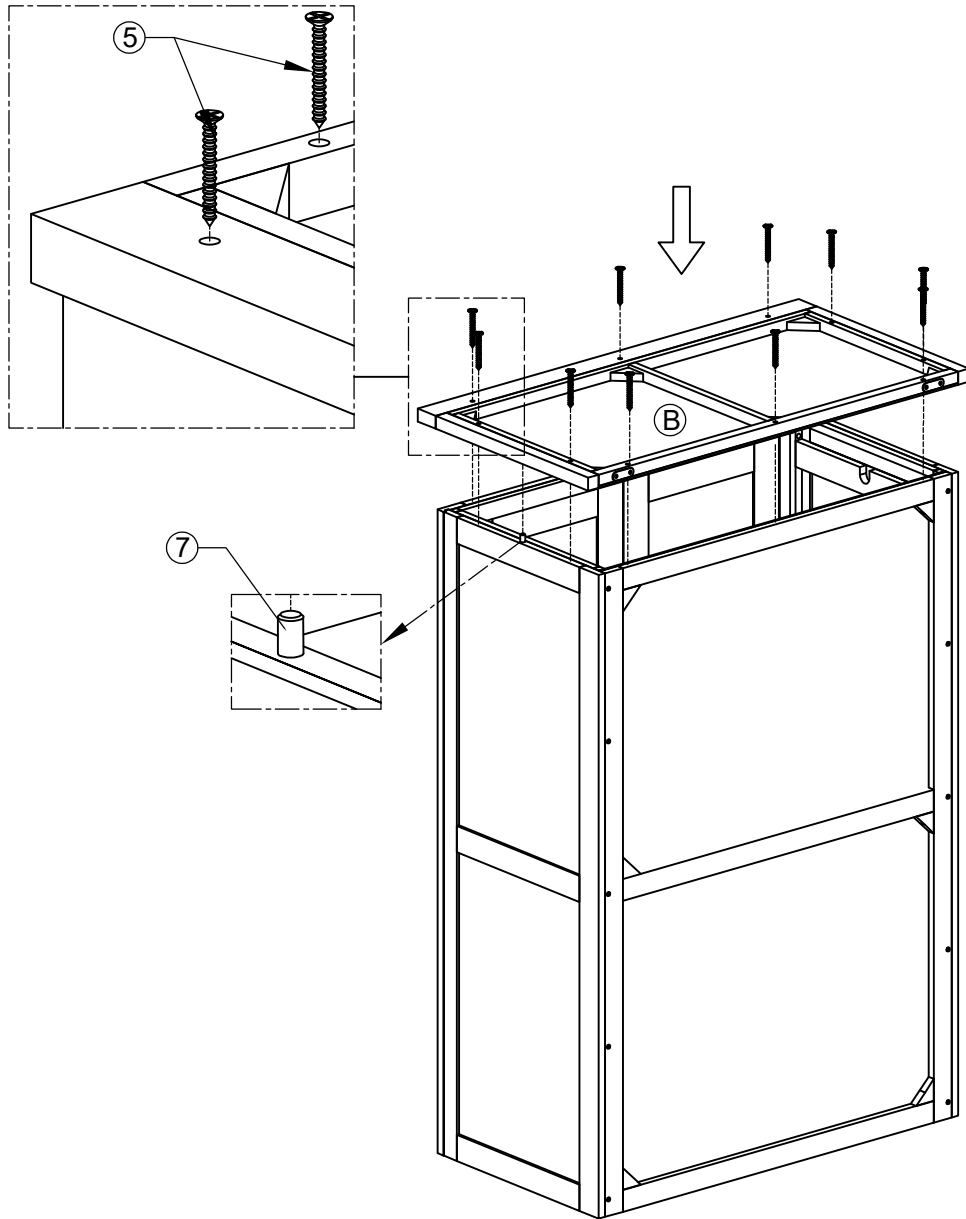


STEP 2

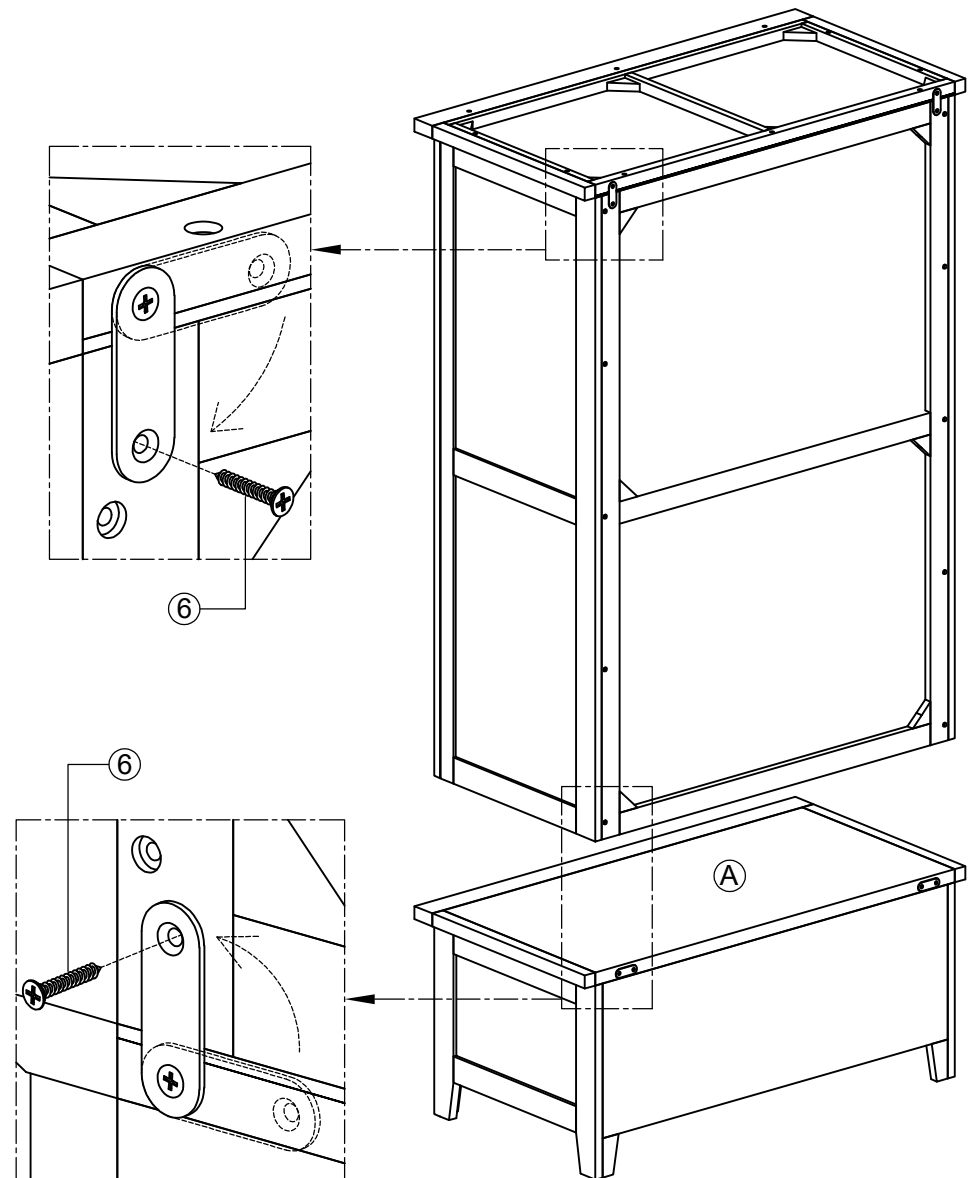


ASSEMBLY INSTRUCTION G5872 - GENTS WARDROBE

STEP 3

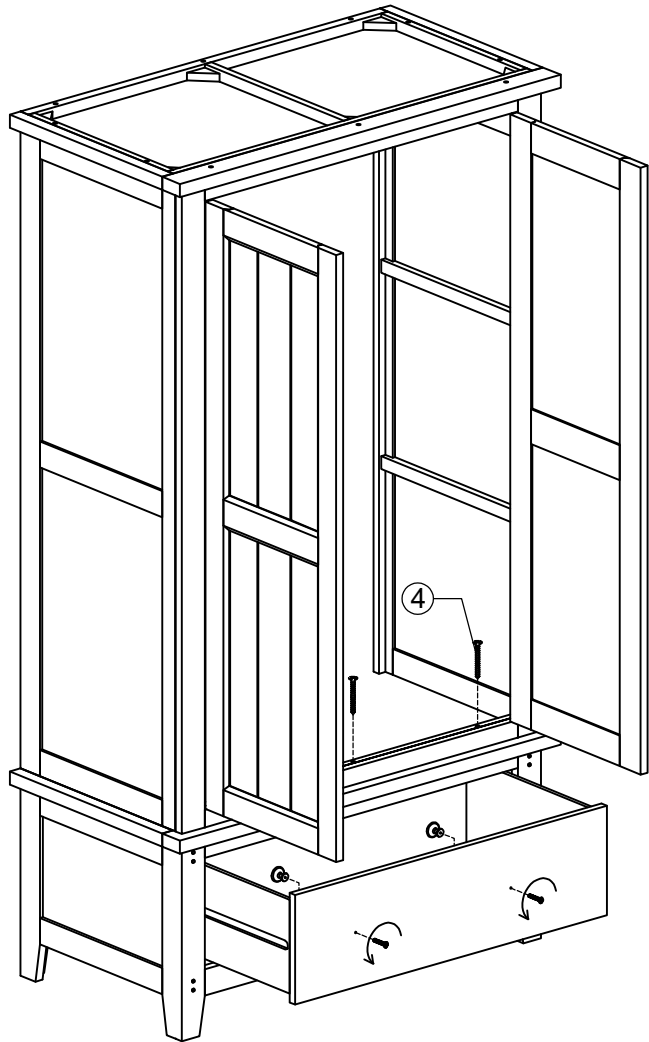


STEP 4

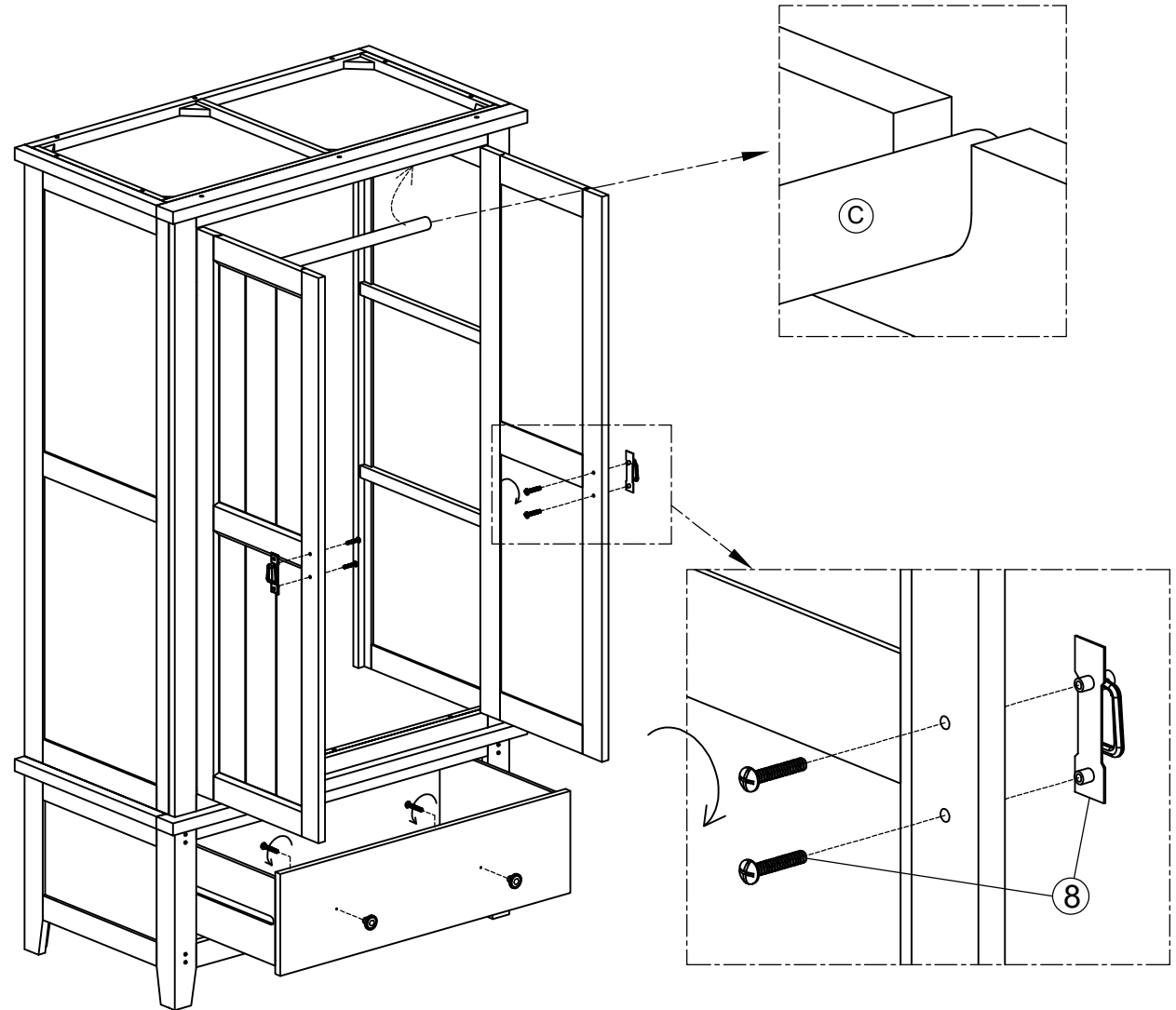


ASSEMBLY INSTRUCTION
G5872 - GENTS WARDROBE

STEP 5

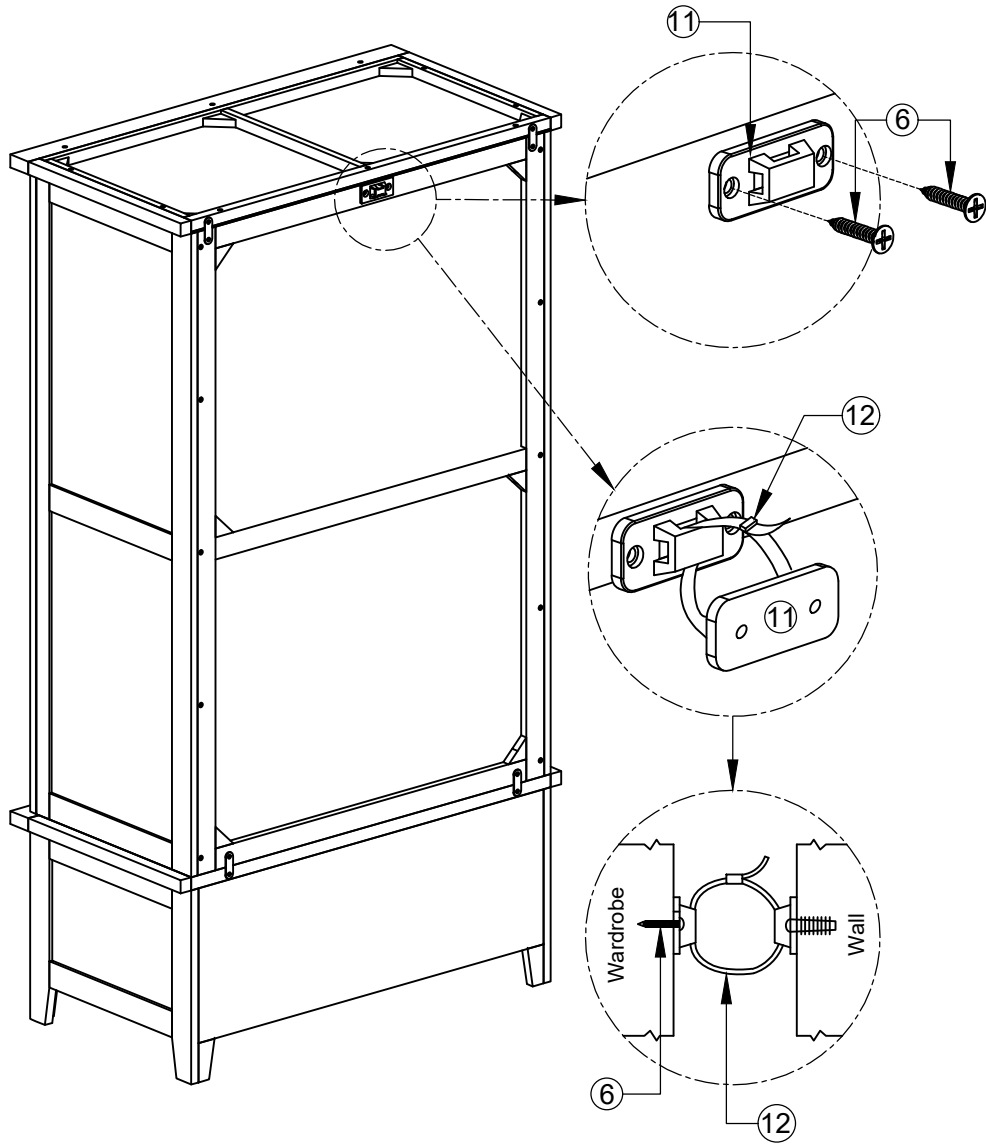


STEP 6

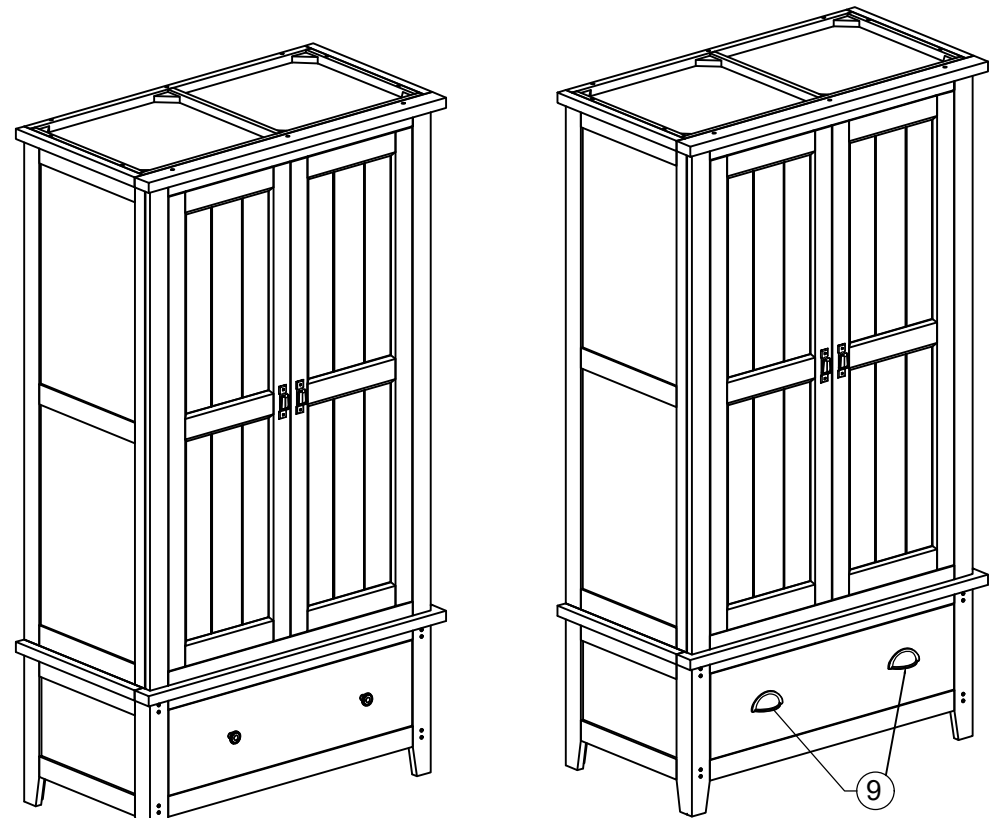


ASSEMBLY INSTRUCTION G5872 - GENTS WARDROBE

STEP 7



FINAL



OPTION 2 : Replace the knob handles with the cup handles .