









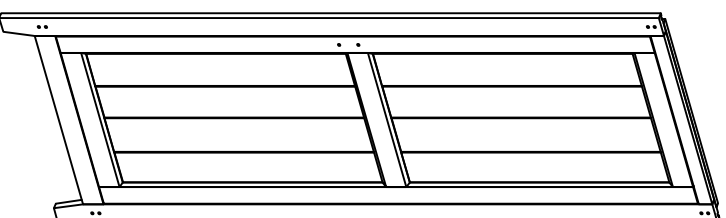
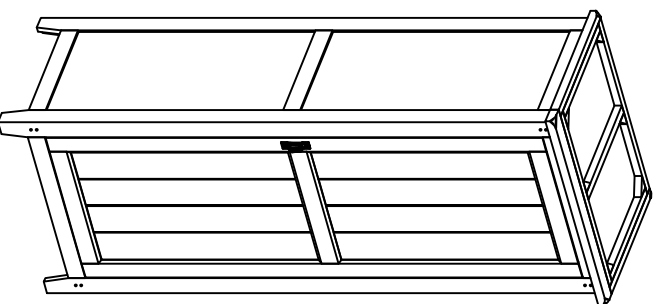


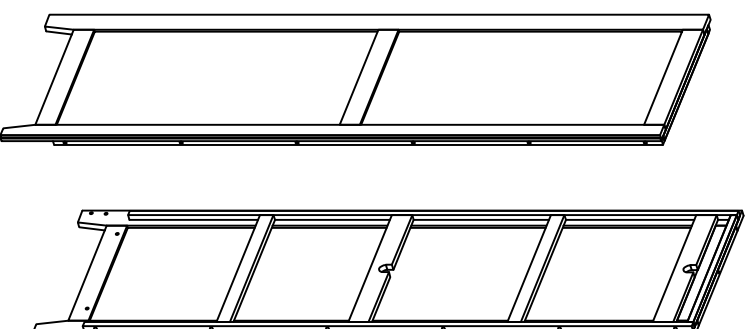
# ASSEMBLY INSTRUCTION

## G5871 - FULL HANGING WARDROBE

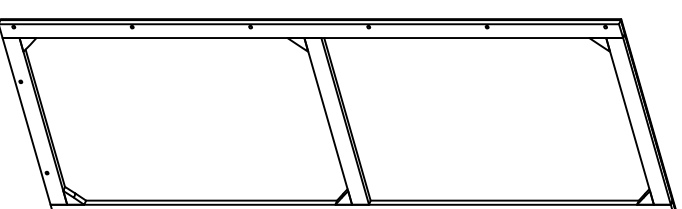
No	HARDWARE LIST	Q.TY
①	Bolt M6x35 	18
②	Washer 	18
③	Spring Washer 	18
④	Screw Ø4x35 	24
⑤	Screw Ø4x20 	2
⑥	Wooden Dowel Ø8x30 	5
⑦	Handle with bolt 	1 (Sets)
⑧	Allen key K4 	1
⑨	Bracket 	2
⑩	Tie 	1



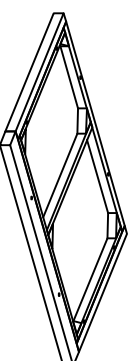
Ⓐ - FRONT FRAME WITH DOOR 1X



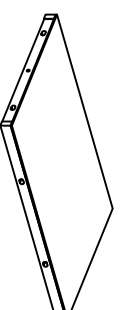
Ⓑ - SIDE FRAME: x 2 ( Left - Right)



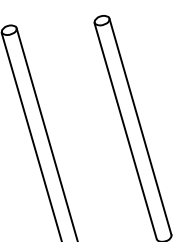
Ⓒ - BACK FRAME 1X



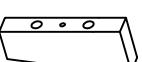
Ⓓ - TOP FRAME 1X



Ⓔ - BOTTOM FRAME 1X



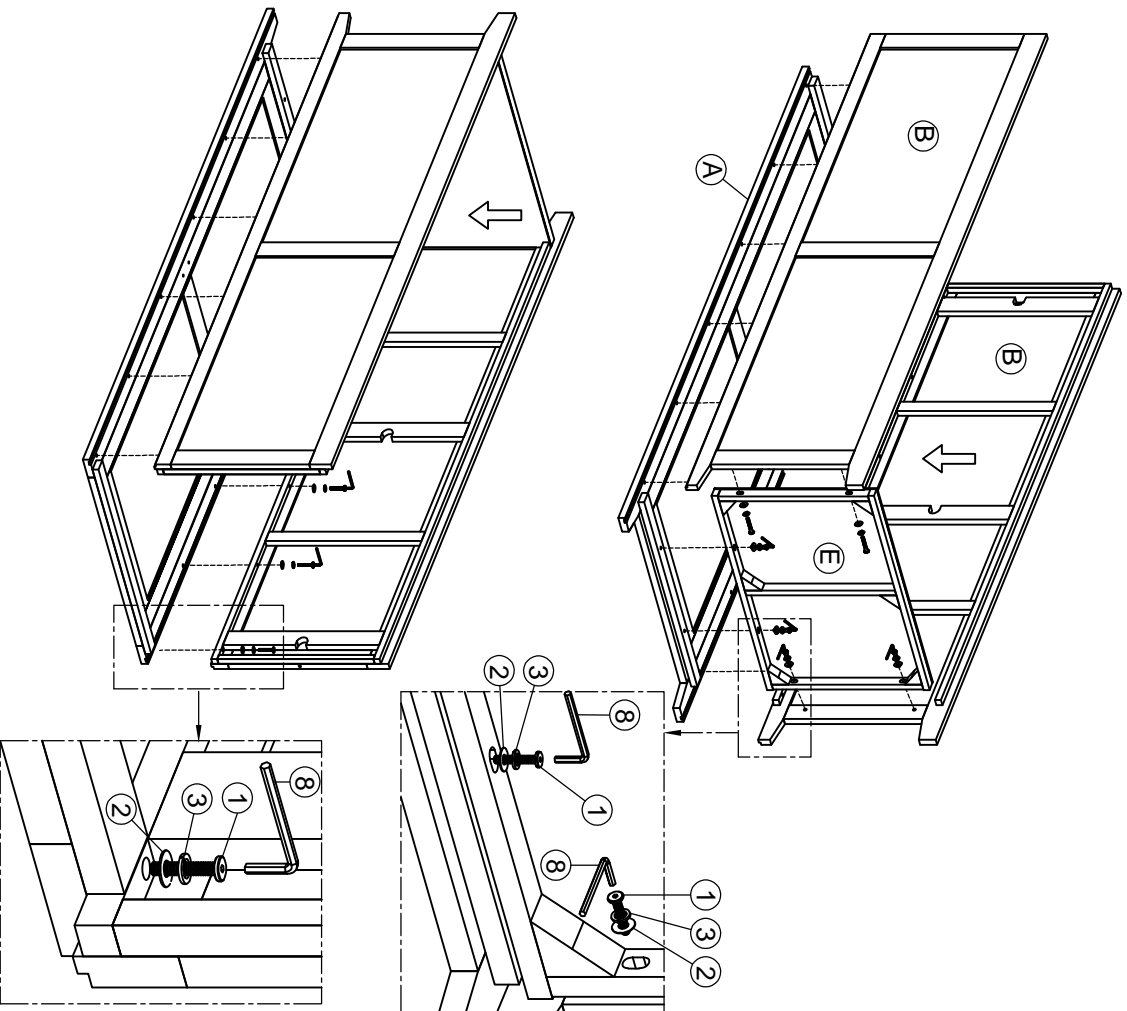
Ⓕ - HANGING RAIL 2X



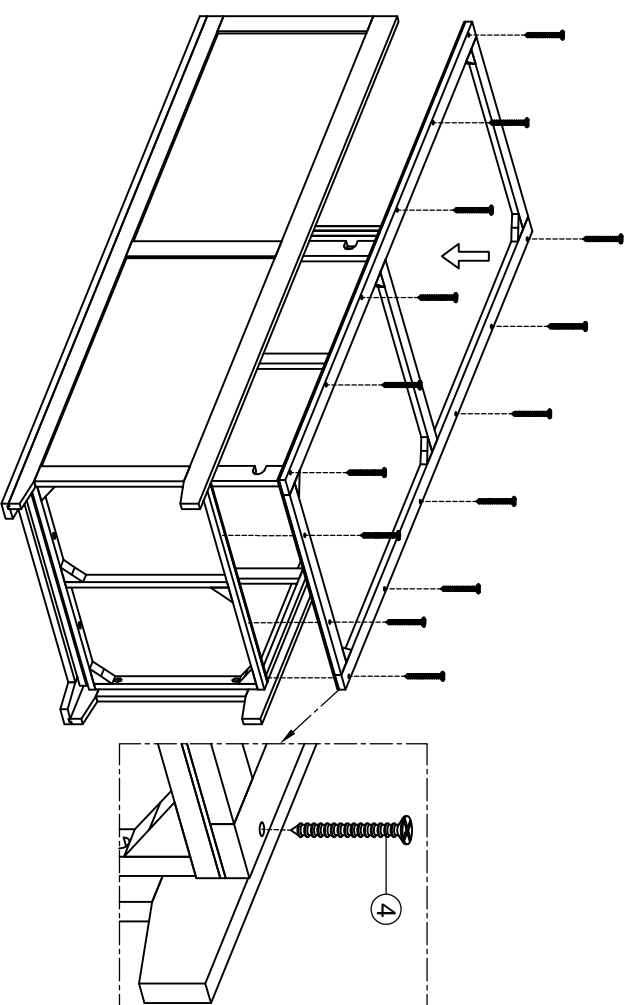
Ⓖ - BLOCK WOOD 2X

ASSEMBLY INSTRUCTION  
G5871 - FULL HANGING WARDROBE

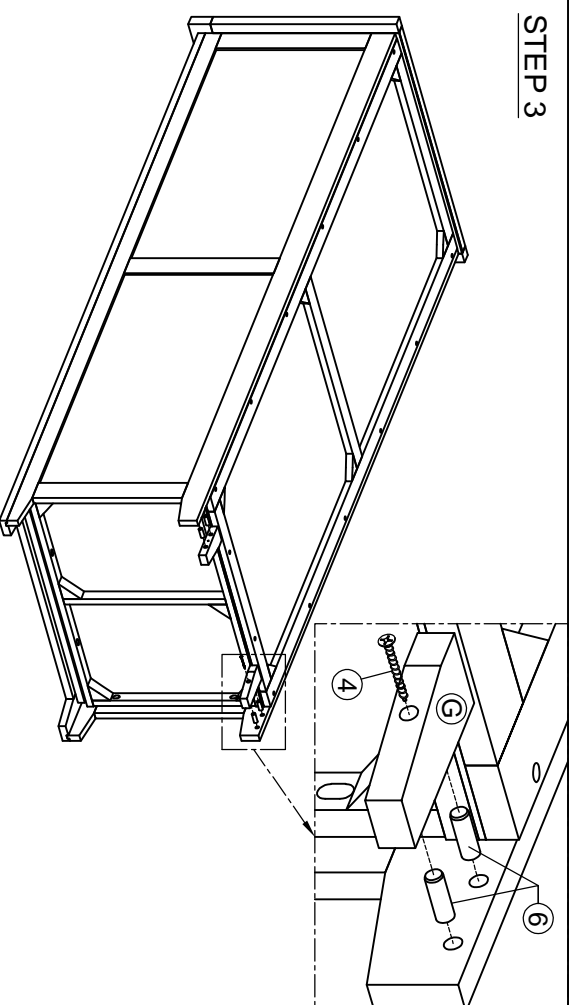
STEP 1



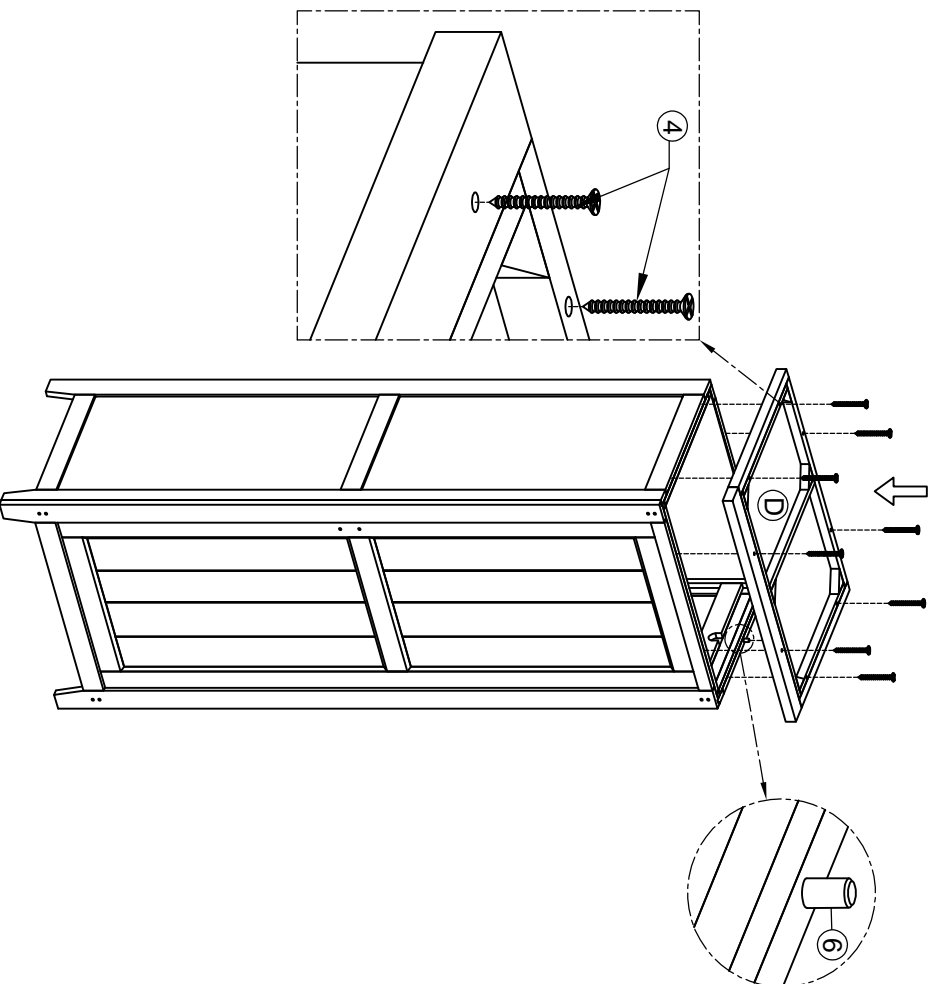
STEP 2



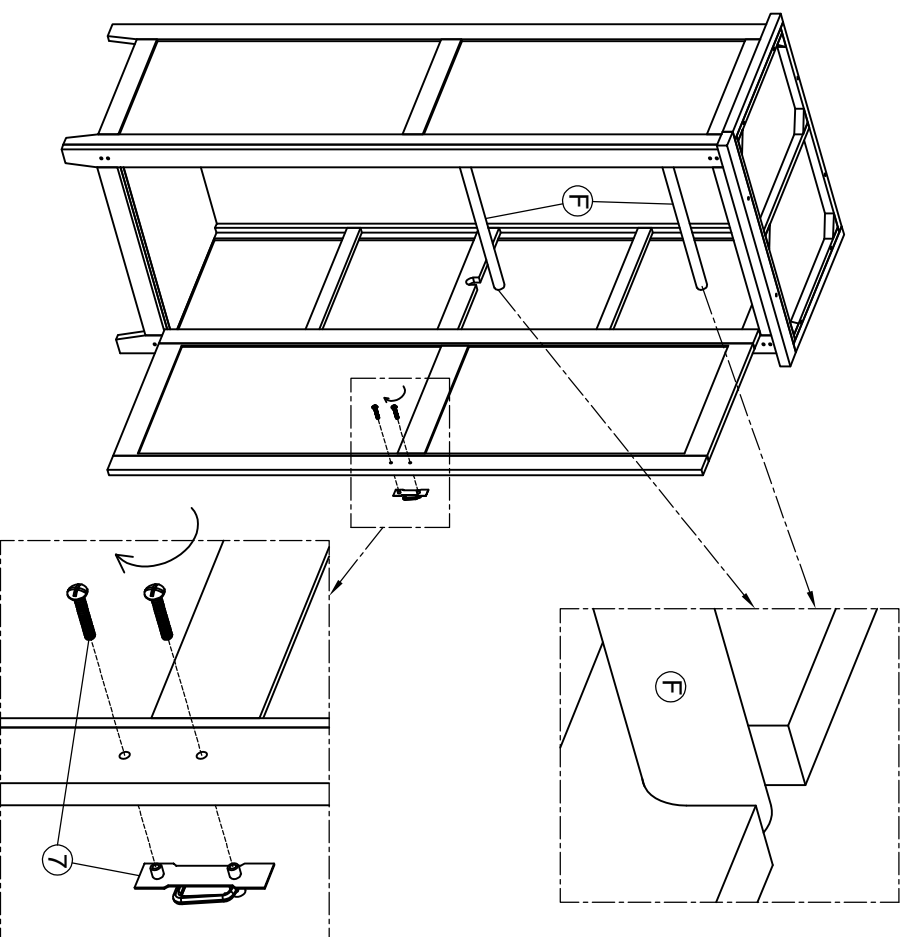
STEP 3



STEP 4



STEP 5



STEP 6

FINAL

