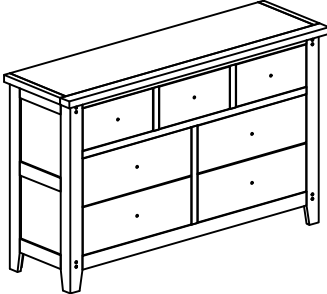
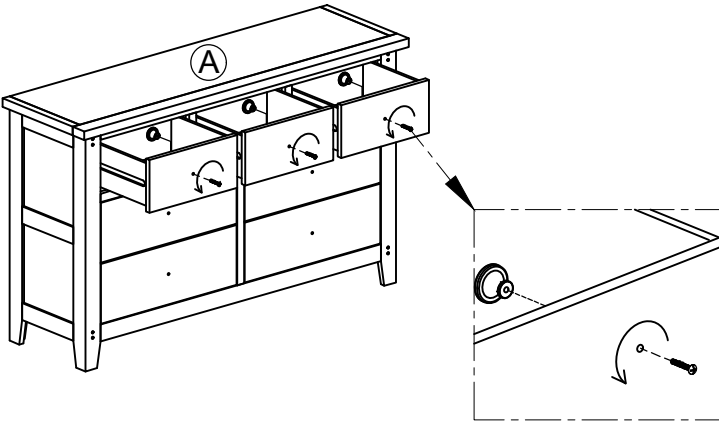
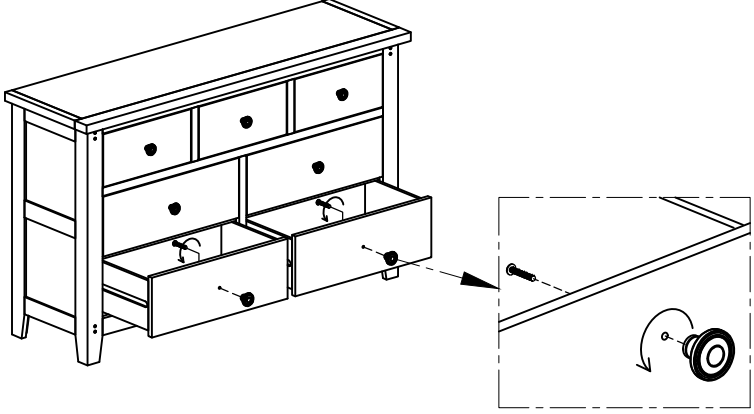




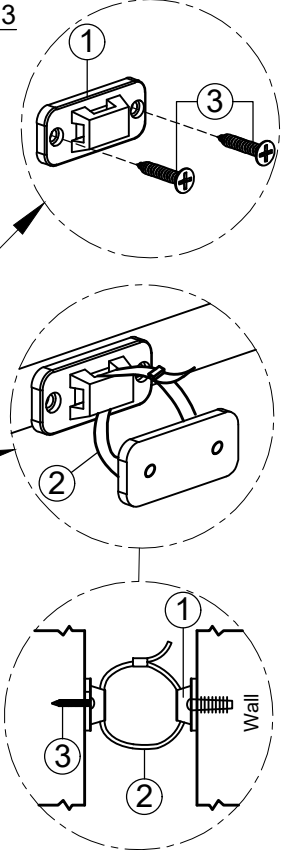


ASSEMBLY INSTRUCTION G5870 - CHEST 3 OVER 4

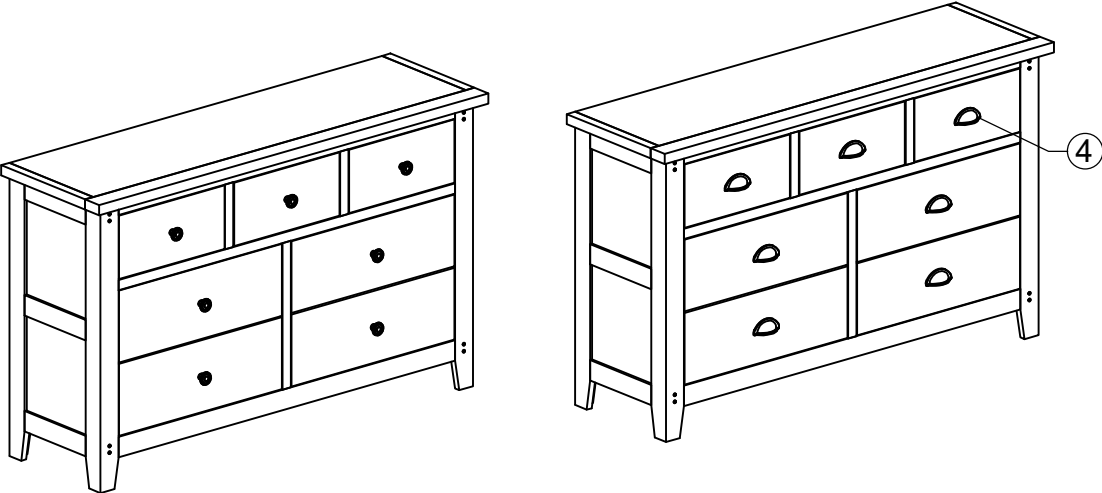
No	Name of Component	Q.ty	STEP 1	STEP 2
A		1		

No	Name of Hardware		Q.ty
①	Bracket 		2
②	Tie 		1
③	Screw M4 x 20 		2
④	Handle with bolt 	7 (Sets)	

STEP 3



FINAL



OPTION 2 : Replace the knob handles with the cup handles.

