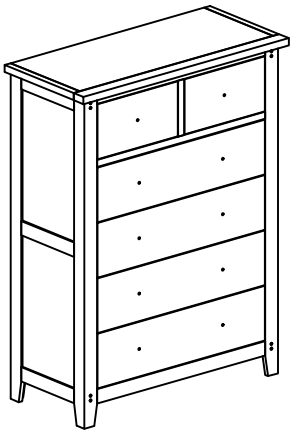
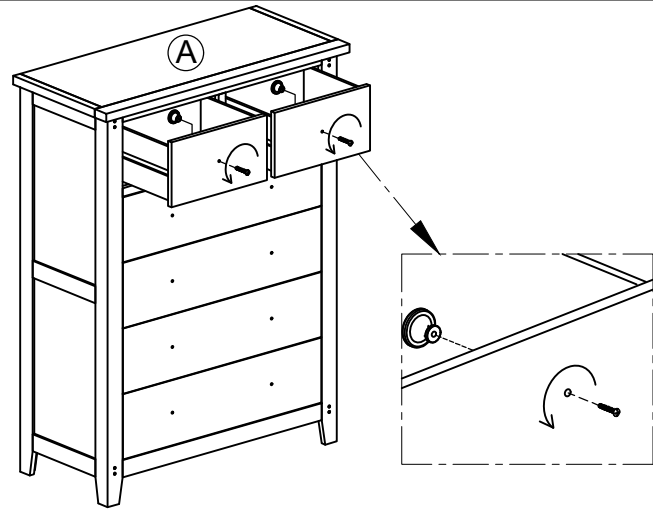
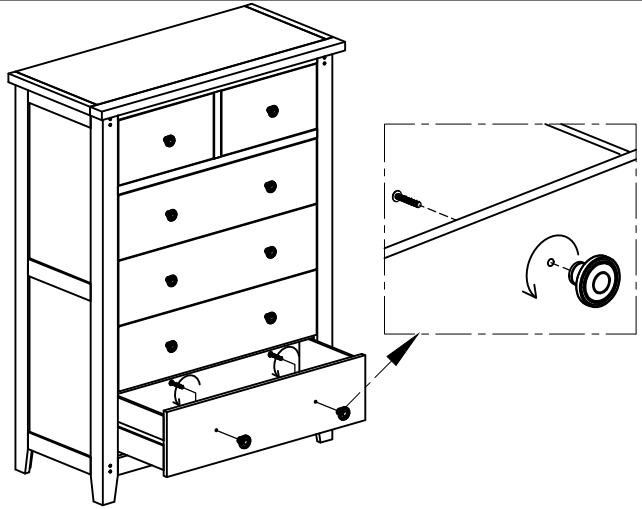
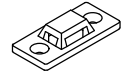
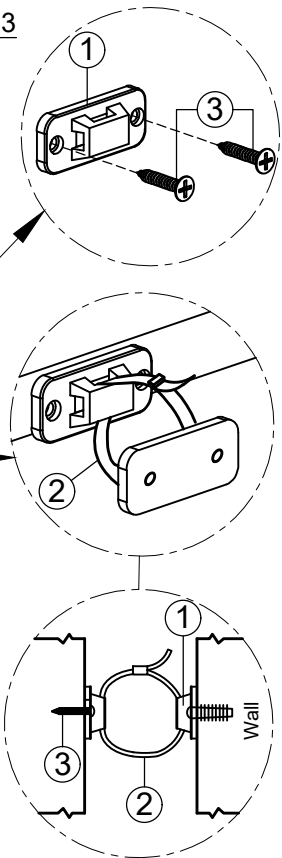



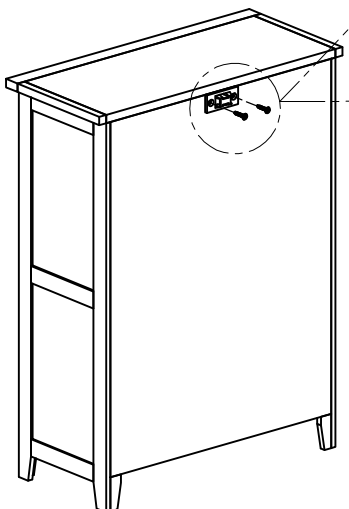


ASSEMBLY INSTRUCTION

G5869 - VERY LARGE 6 DRAWERS CHEST

No	Name of Component	Q.ty	STEP 1	STEP 2
A		1		

No	Name of Hardware	Q.ty	STEP 3
①	Bracket 	2	
②	Tie 	1	
③	Screw M4 x 20 	2	
④	Handle with bolt 	10 (Sets)	



FINAL




OPTION 2 : Replace the knob handles with the cup handles.