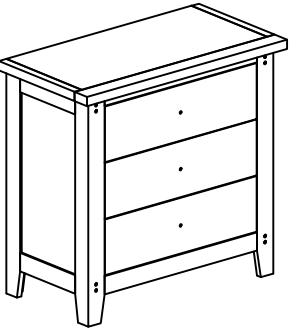
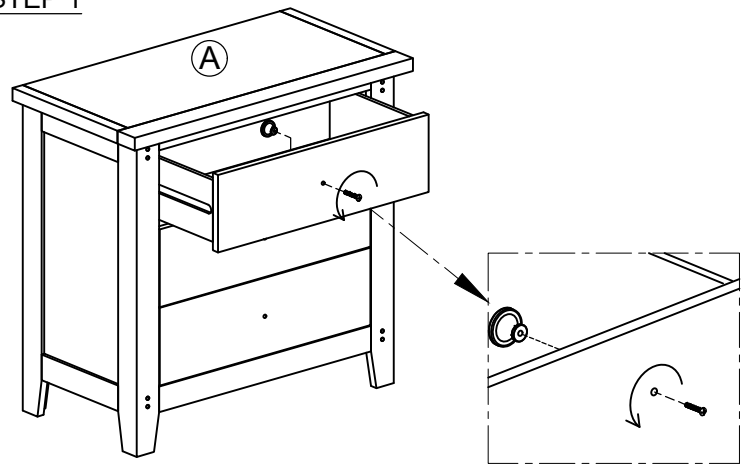


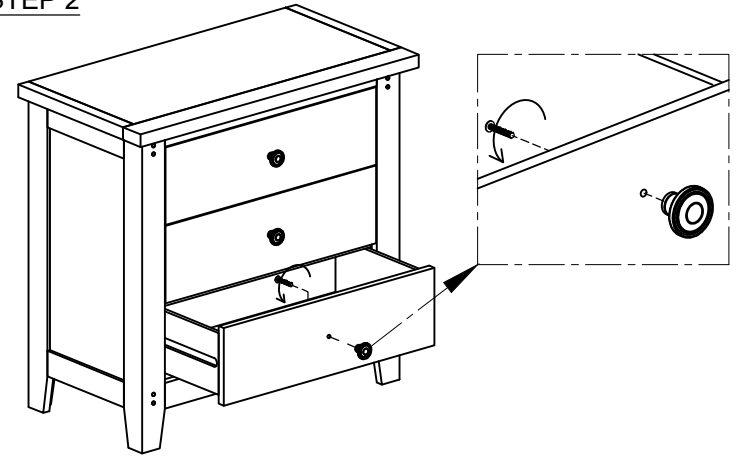
ASSEMBLY INSTRUCTION G5867 - 3 DRAWERS CHEST





No	Name of Component	Q.ty
A		1

STEP 1

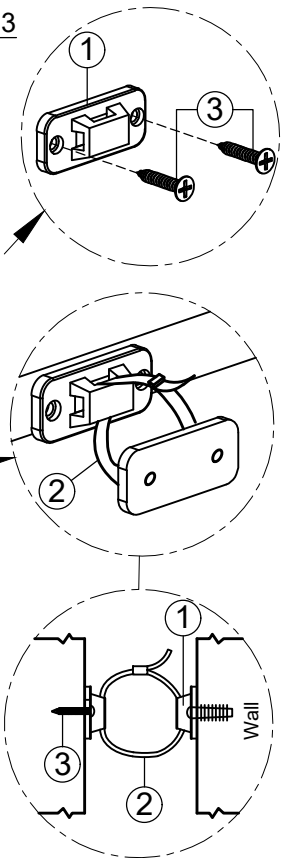


STEP 2



No	Name of Hardware	Q.ty
①	Bracket 	2
②	Tie 	1
③	Screw M4 x 20 	2
④	Handle with bolt 	3 (Sets)

STEP 3



FINAL



OPTION 2 : Replace the knob handles with the cup handles.