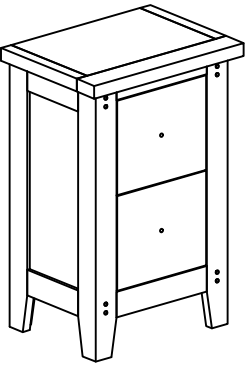

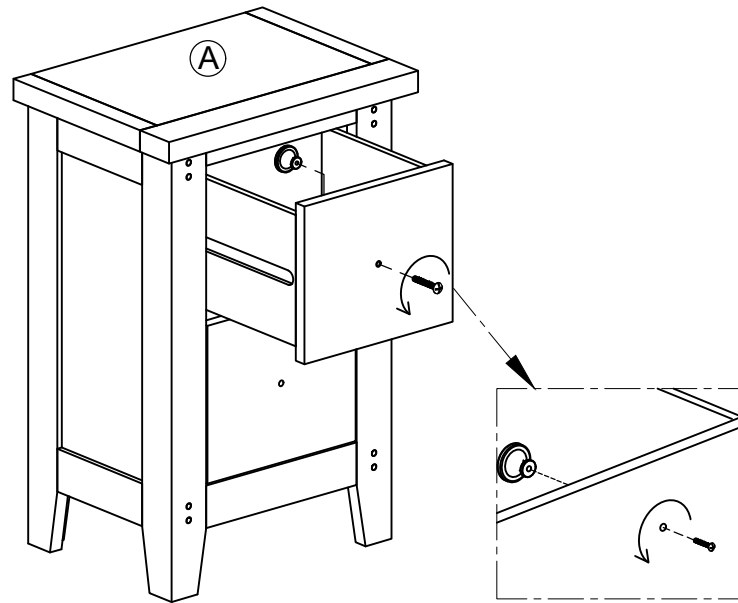


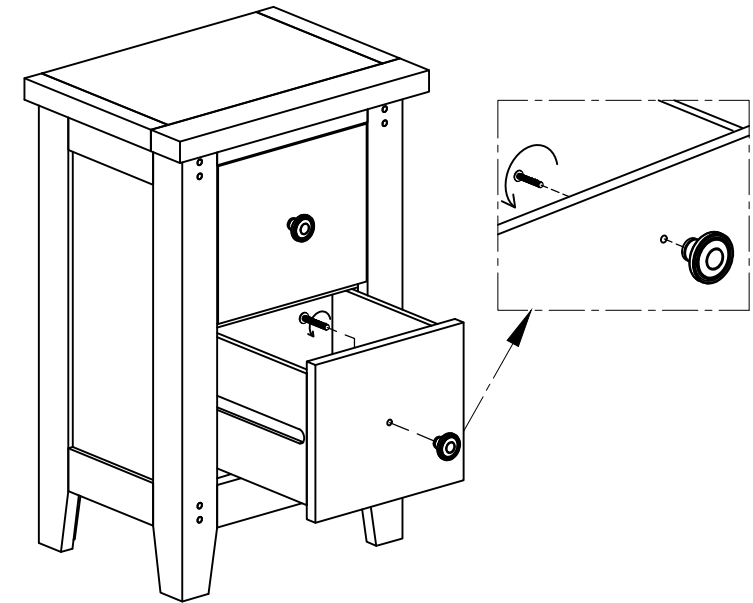
ASSEMBLY INSTRUCTION G5865 - NARROW BEDSIDE

No	Name of Component	Q.ty
A		1
No	Name of Hardware	Q.ty
1	Handle with bolt 	2 (Sets)

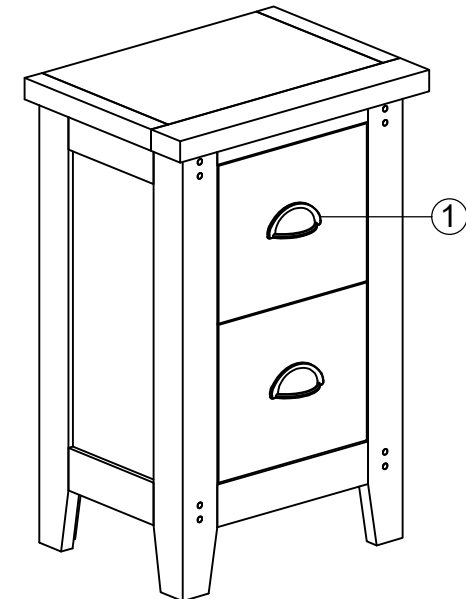
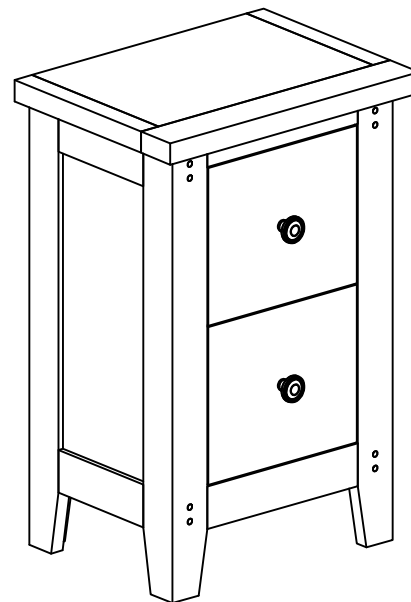
STEP 1



STEP 2



FINAL



OPTION 2 : Replace the knob handles with the cup handles.