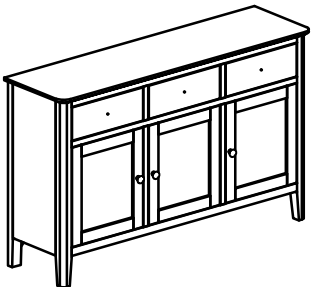



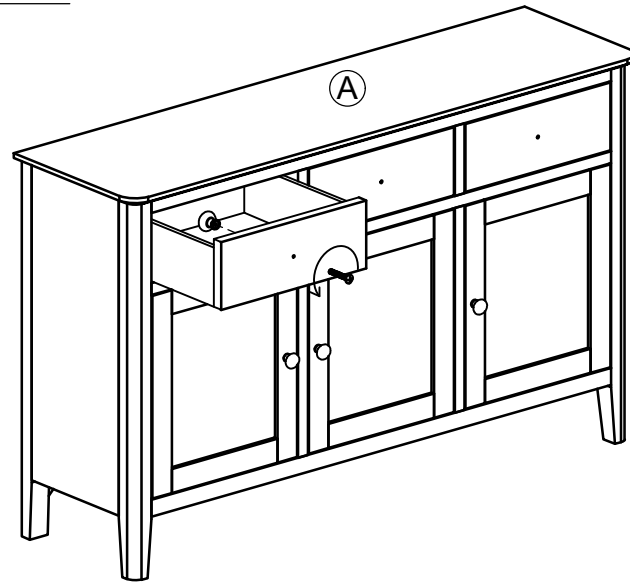


ASSEMBLY INSTRUCTION

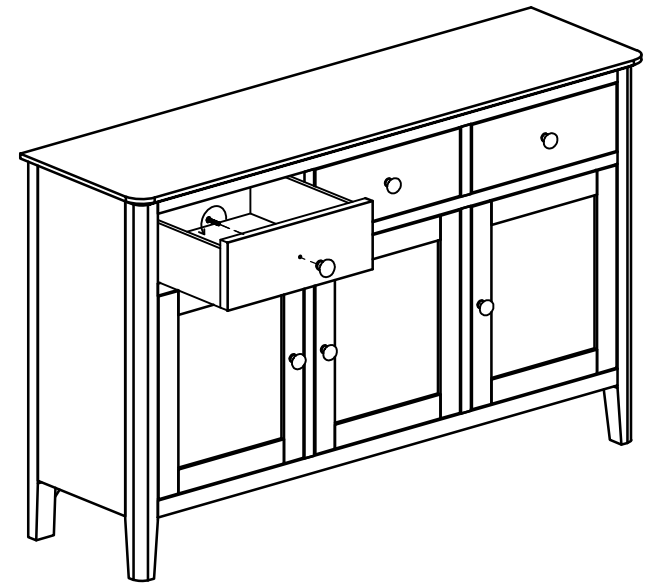
G5703 - 3 DOOR LARGE SIDEBOARD

No	Name of Component	Q.ty
Ⓐ		1
No	Name of Hardware	Q.ty
①	Bracket 	2
②	Tie 	1
③	Screw Ø4 x 20 	2

STEP 1



STEP 2



STEP 3

