


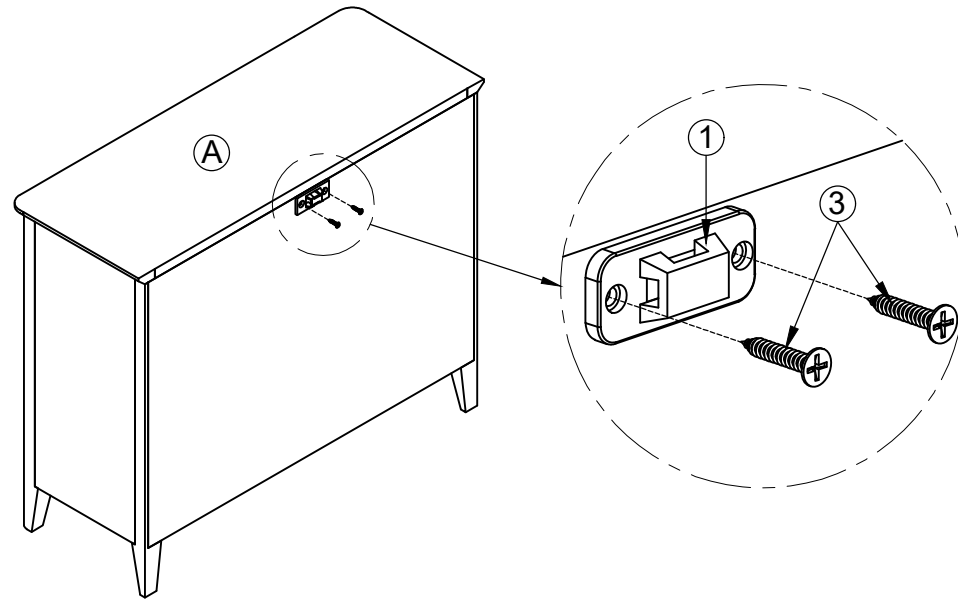


# ASSEMBLY INSTRUCTION G5674 -2 DOOR SIDEBOARD

No	Name of Hardware	Q.ty
①	Bracket 	2
②	Tie 	1
③	Screw Ø4 x 20 	2

## STEP 1



## STEP 2

