

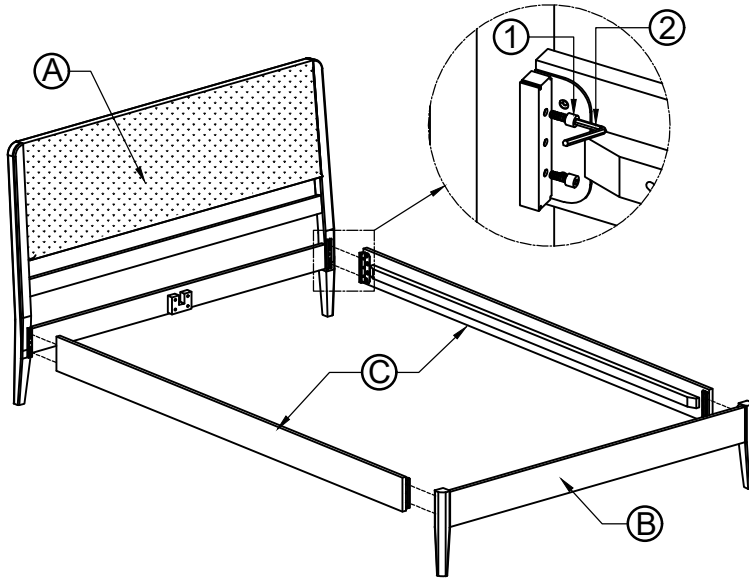
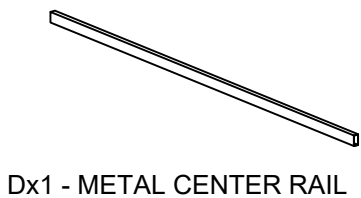
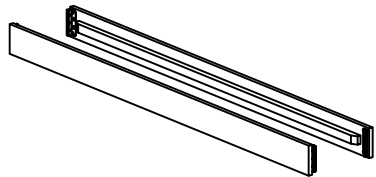
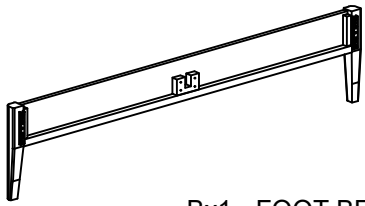
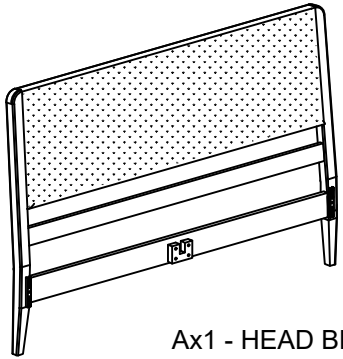


ASSEMBLY INSTRUCTION

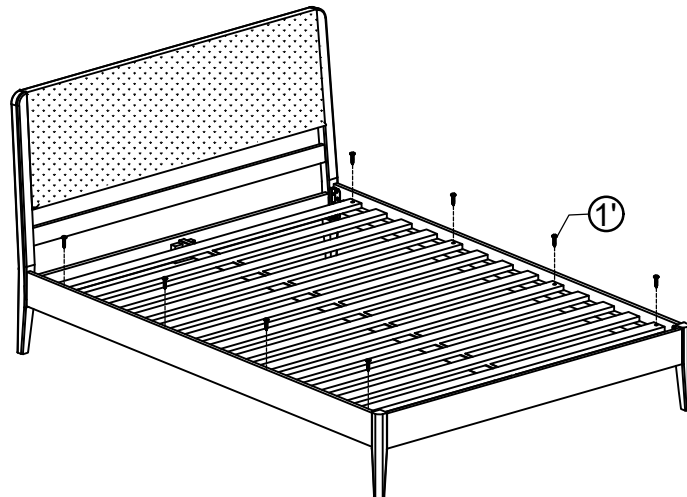
4'6 BED

No	Name of Hardware	Q.ty
①	Bolt M6x10 	8
②	Allen Key (K5) 	1

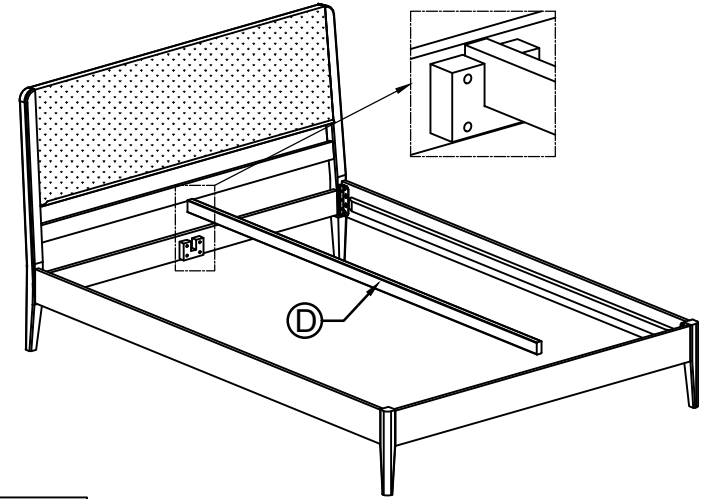


STEP 1

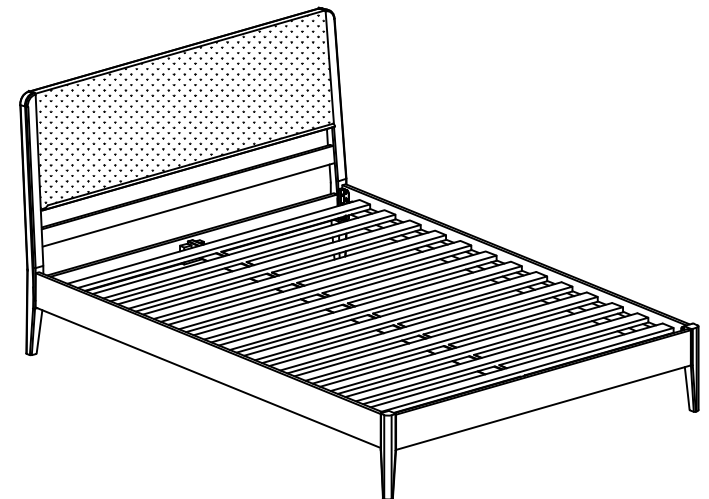
NOTE: SLAT BEDS ARE ON A DIFFERENT PACKAGE
HARDWARE ① ARE INCLUDED IN SLAT BED



STEP 3



STEP 2



FINAL