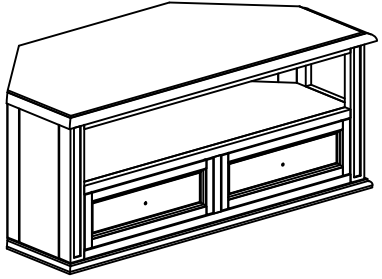
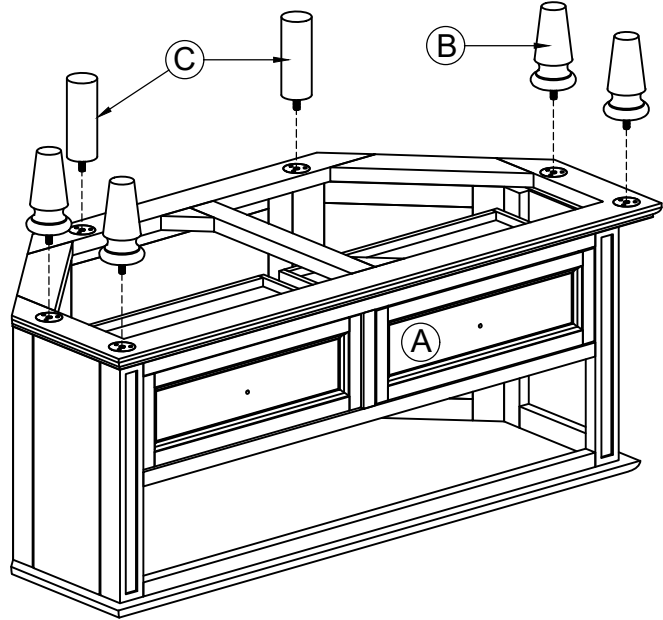

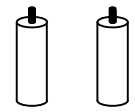


# ASSEMBLY INSTRUCTION

## G5605 - CORNER TV UNIT WITH DRAWER

No.	Part name	Q'ty	STEP 1
A		1	
B		4	
C		2	

