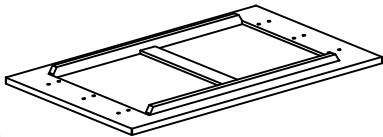
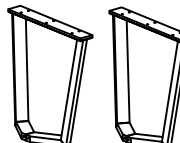
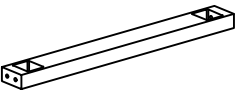







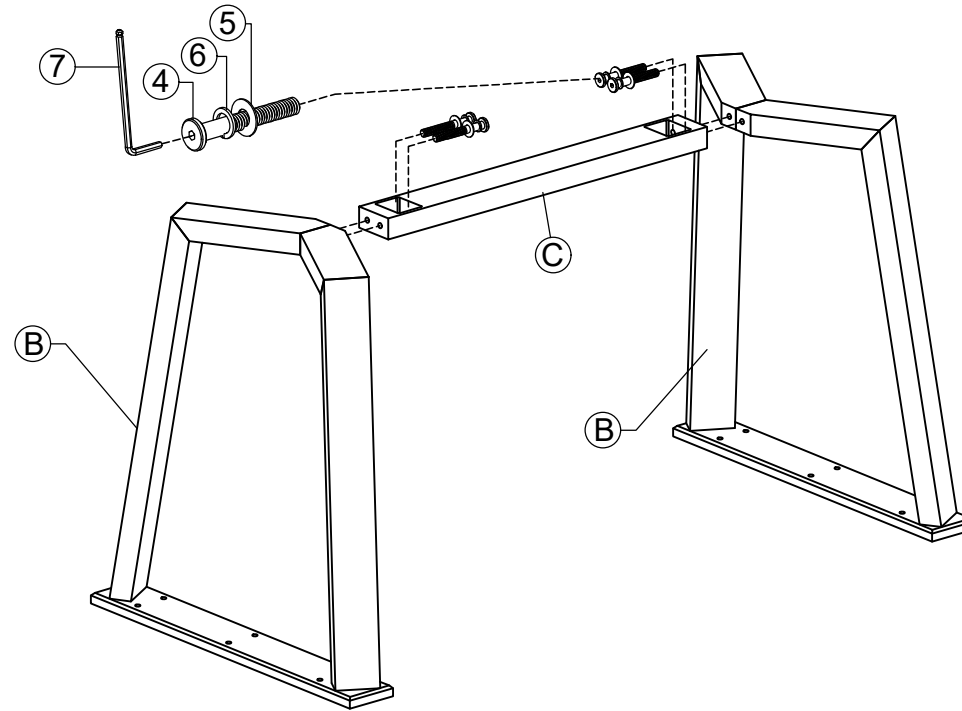


ASSEMBLY INSTRUCTION

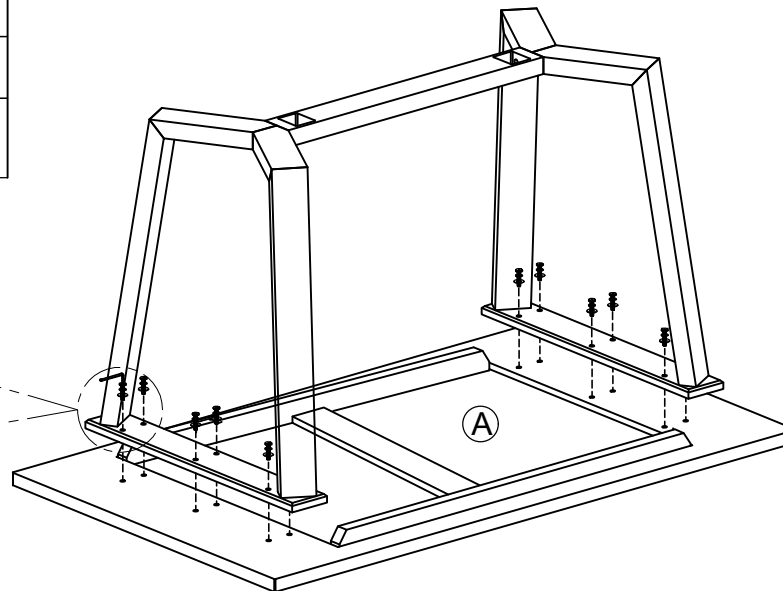
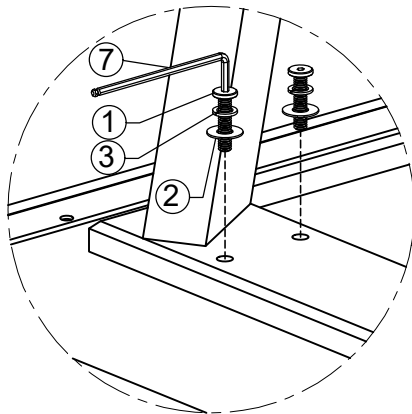
G5476 - DINING TABLE 1500

No	Name of Component	Q.ty
(A)	 Top	1
(B)	 Leg Frame	2
(C)	 Stretchers	1
No	Name of Hardware	Q.ty
(1)	Bolt M6 x 40 	12
(2)	Flat Washer 1 x 7 x 18 	12
(3)	Spring Washer M6 	12
(4)	Bolt M8 x 50 	4
(5)	Flat Washer 1 x 9 x 18 	4
(6)	Spring Washer M8 	4
(7)	Allen key K4 	1

STEP : 1



STEP : 2



FINAL :

