



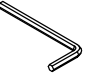

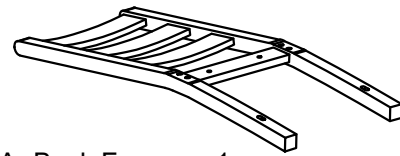


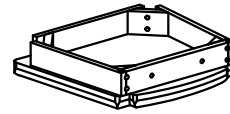
ASSEMBLY INSTRUCTION

G5174KD - LADDER DINING CHAIR_KD

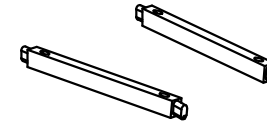
No	Name of Hardware	Q.ty
①	Bolt M6 x 70 	8
②	Bolt M8 x 40 	2
③	Spring Washer Ø9/Ø11 	10
④	Washer Ø9/Ø18x 1 	10
⑤	Allen key (K4) 	1
⑥	Round head Screw Ø4 x 50 	4



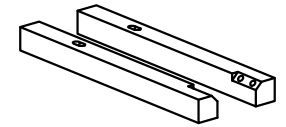
A- Back Frame: x 1



B- Seat Frame x 1

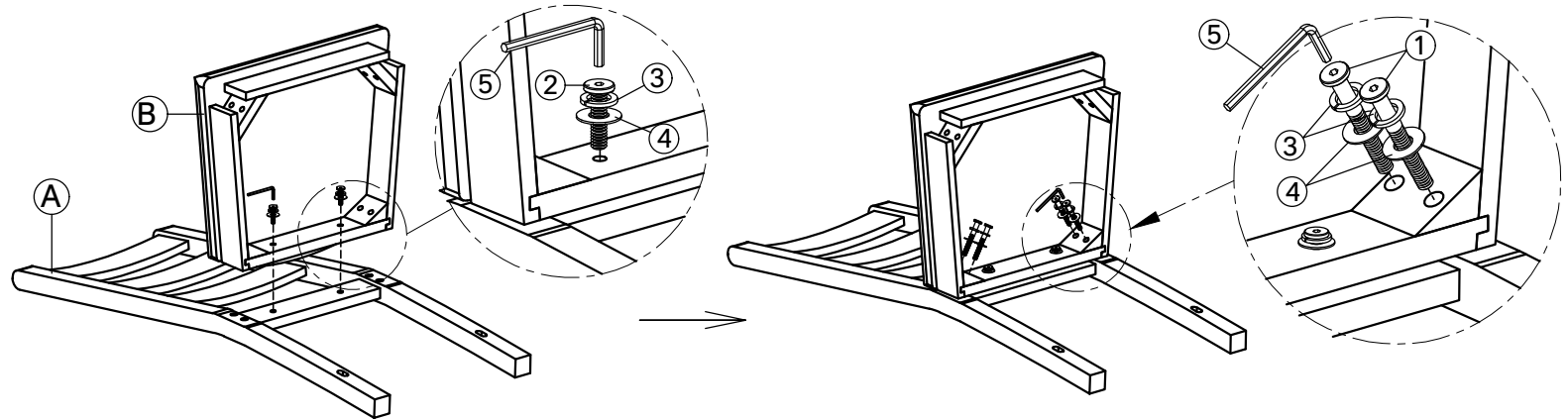


C- Stretcher x 2 (Left-right)

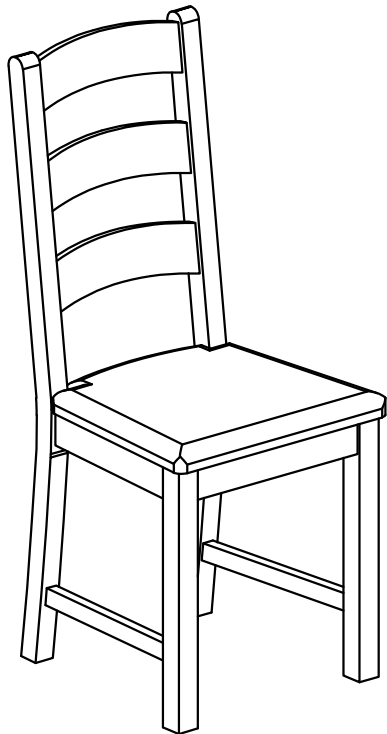
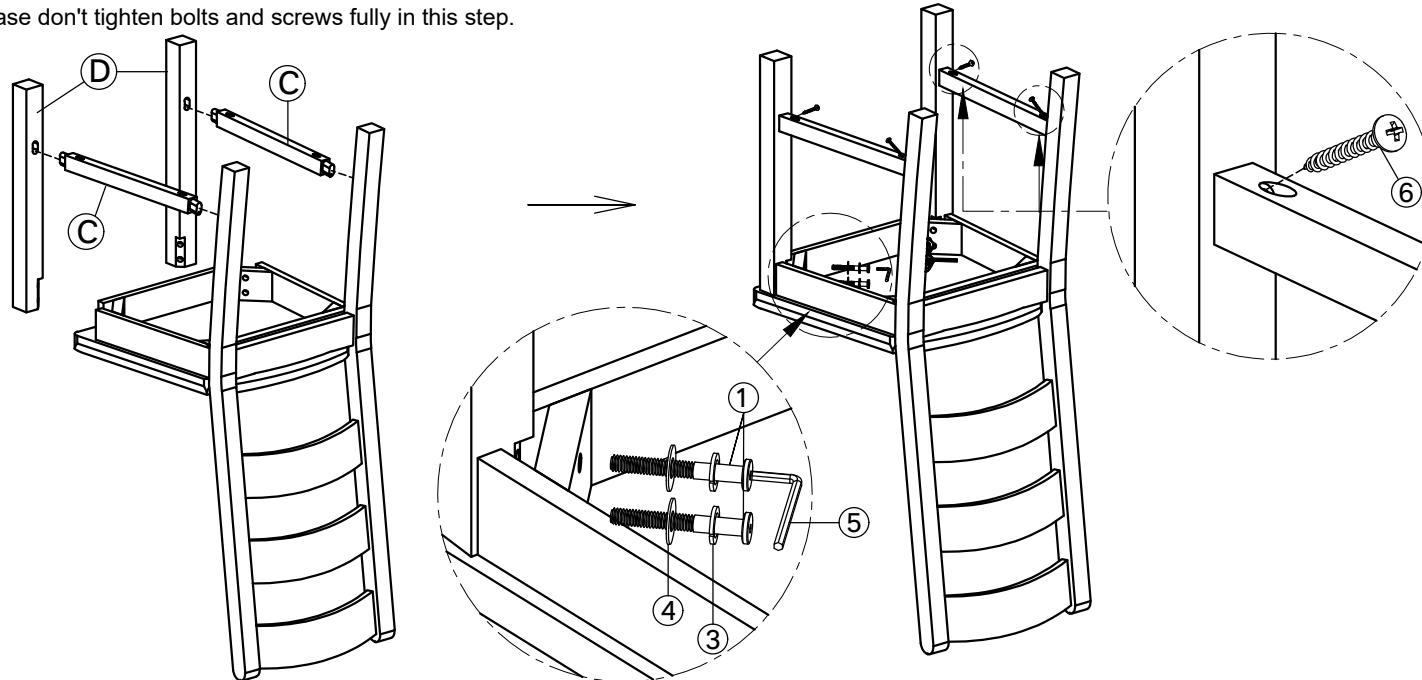


D- Front leg x 2 (left -right)

STEP 1: Please don't tighten bolts fully in this step.



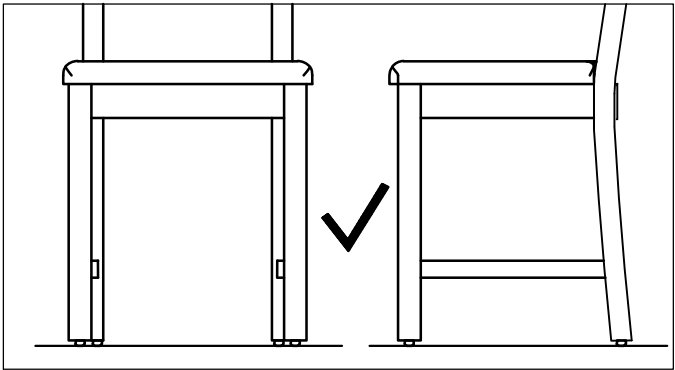
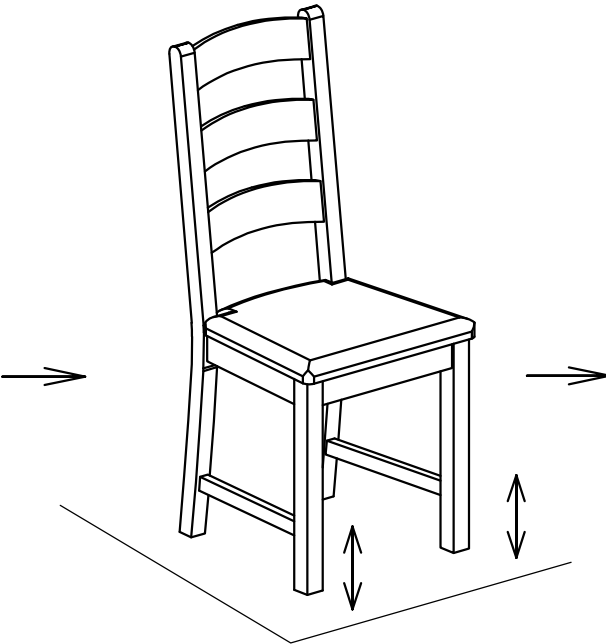
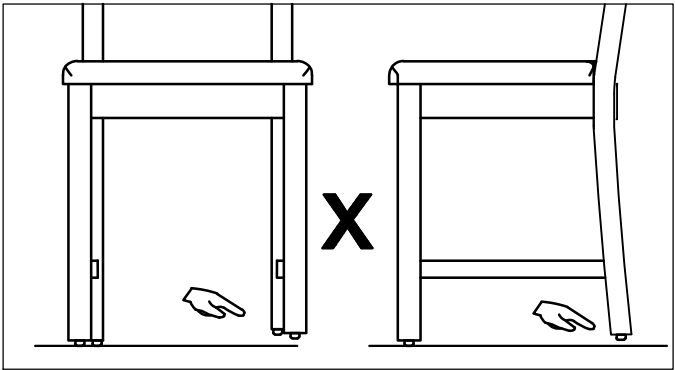
STEP 2: Please don't tighten bolts and screws fully in this step.



ASSEMBLY INSTRUCTION

G5174KD - LADDER DINING CHAIR_KD

STEP 3: Check all legs are in the same level, as shown,
then tighten all bolts and screws fully.



FINAL

