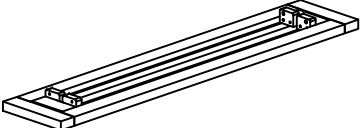
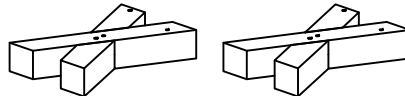
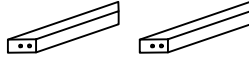



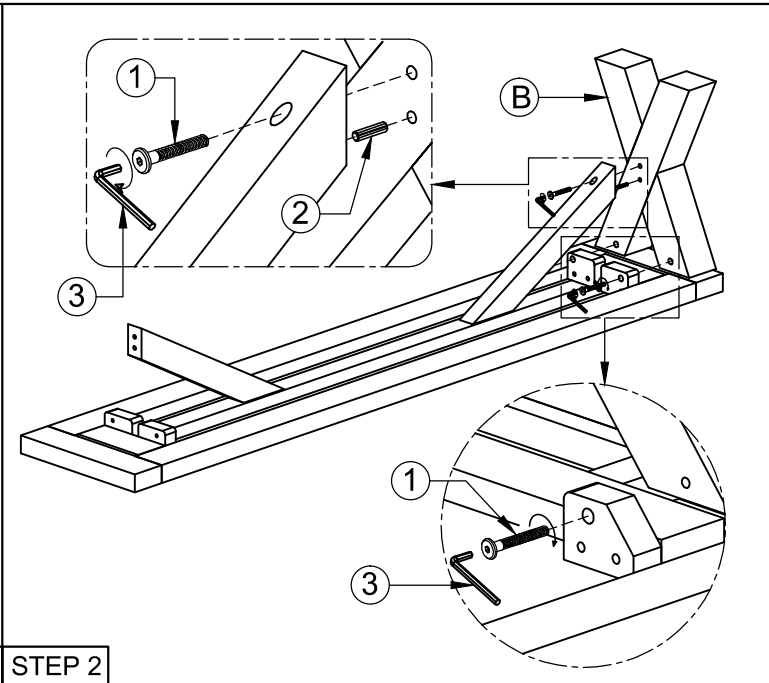
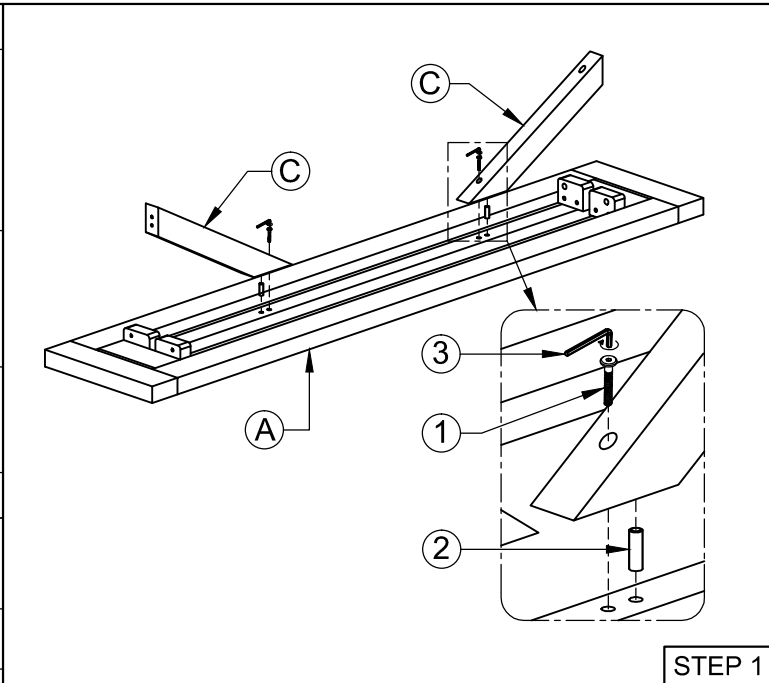


# ASSEMBLY INSTRUCTION G5173 - CROSS BENCH

No.	Part name	Q'ty
A		1
B		2
C		2
No.	Hardware name	Q'ty
1	Bolt M8x50 	8
2	Wooden Dowel Ø10x40 	4
3	Allen key K4 	1



STEP 1	STEP 2
STEP 3	FINAL

