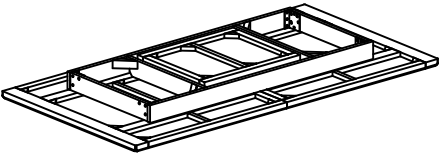
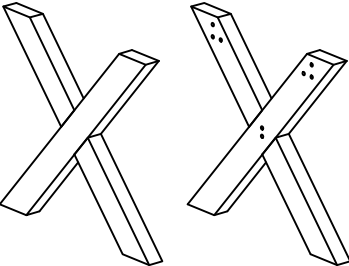
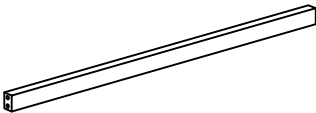
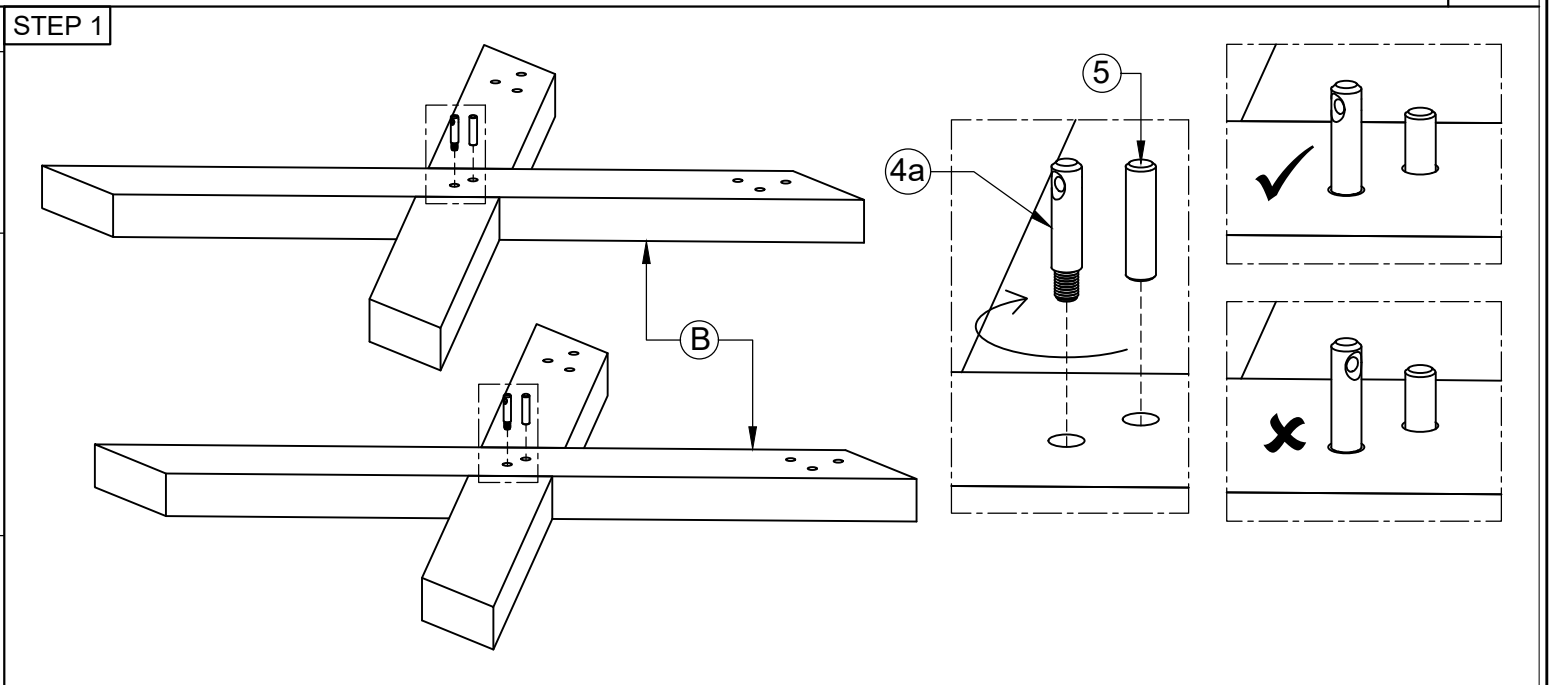



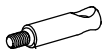







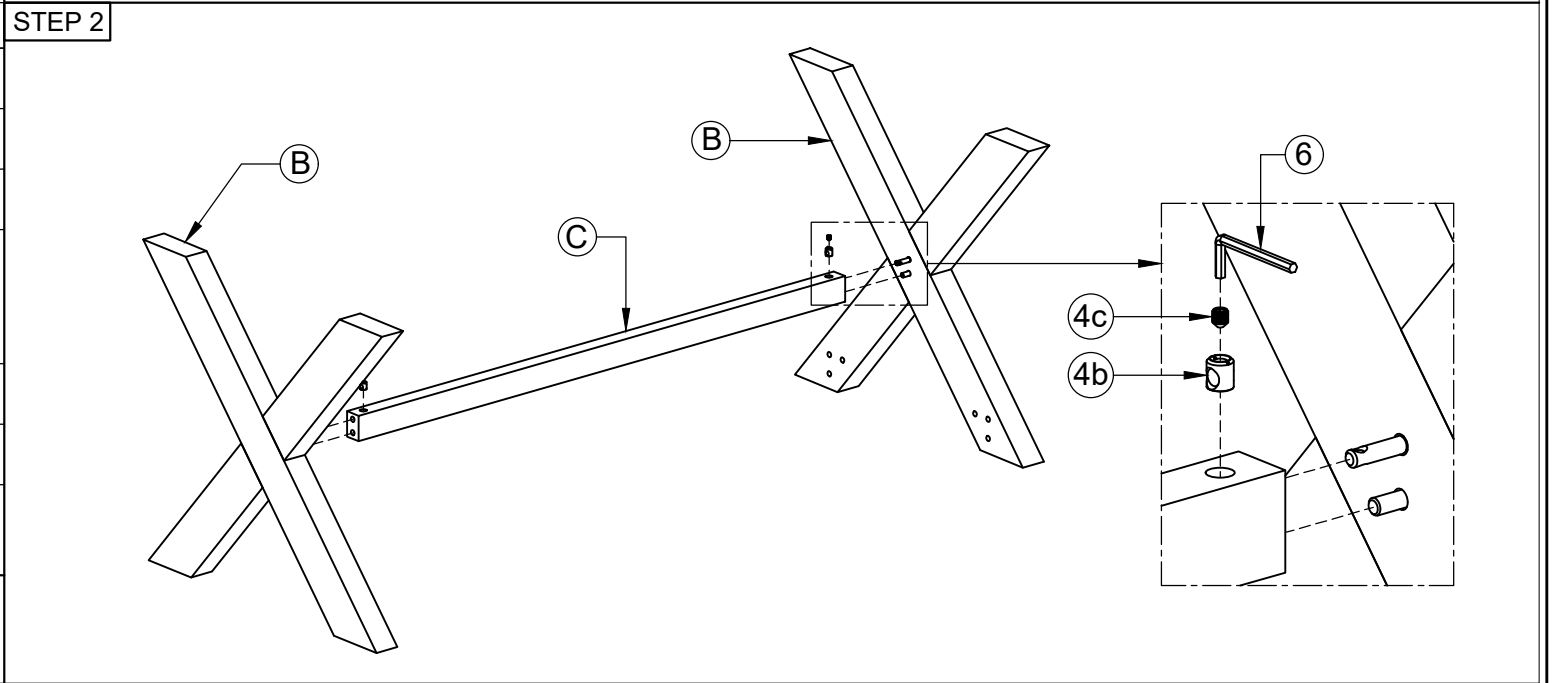
# ASSEMBLY INSTRUCTION

## G5172 - CROSS LARGE EXT. DINING TABLE

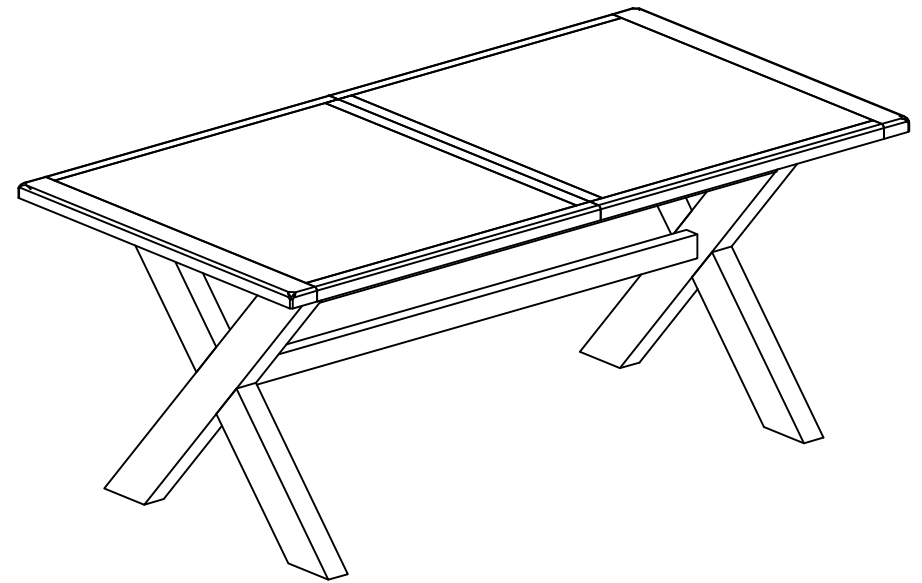
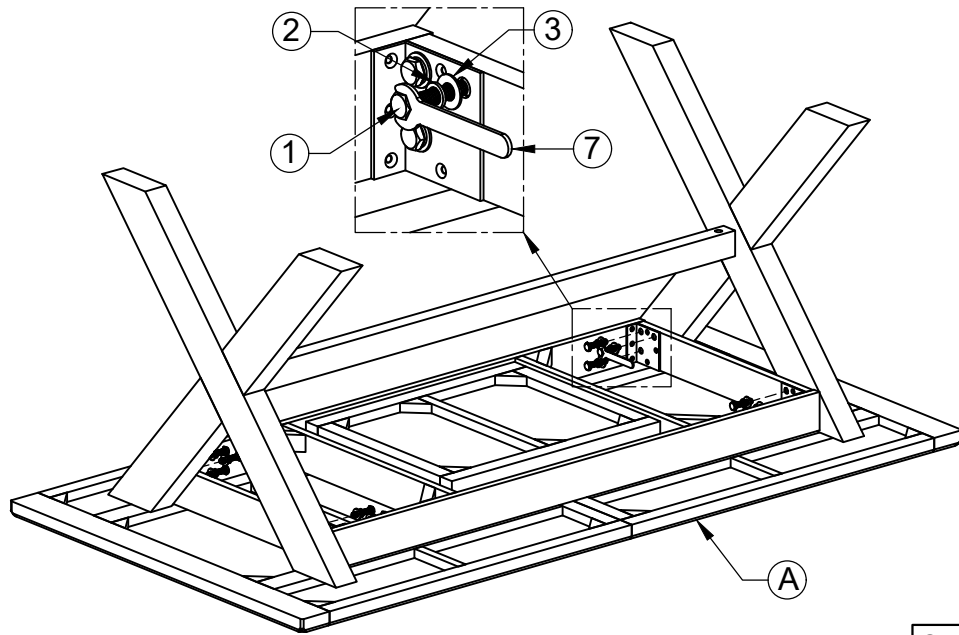
No.	Part name	Q'ty
A		1
B		2
C		1



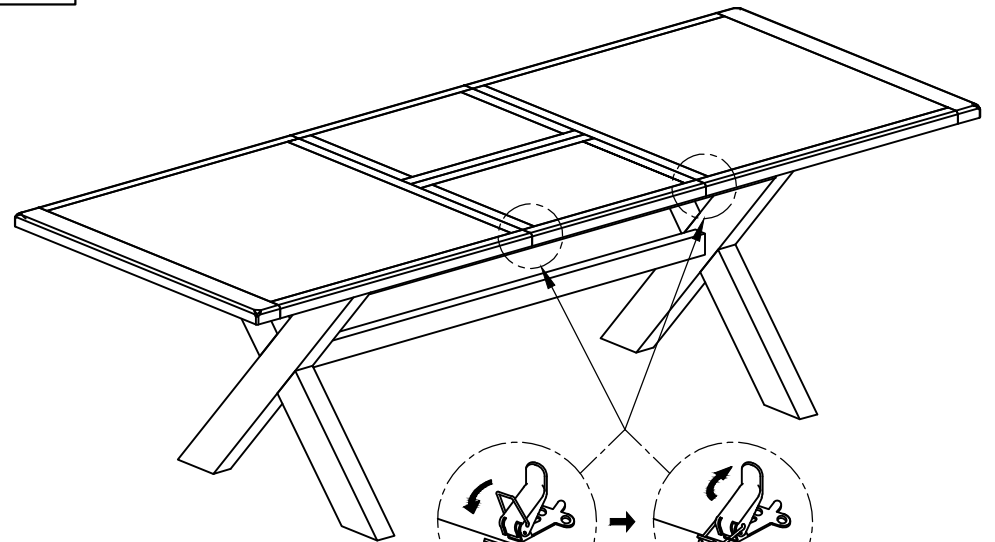
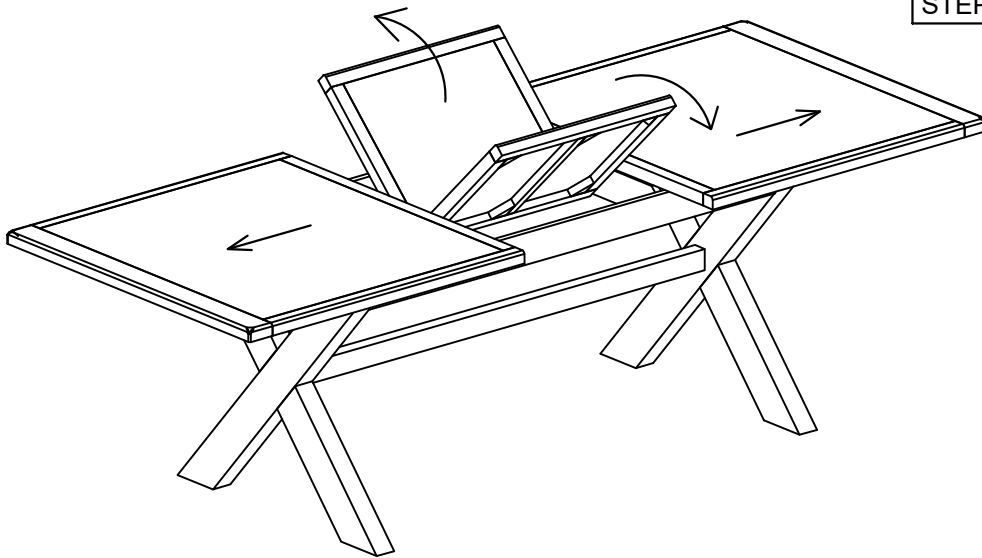
No.	Hardware name	Q'ty
1	Bolt M10x50 	12
2	Lock Washer M10 	12
3	Washer M10 	12
4	Connecting system  Rubber O ring  4b  4c	2Sets
5	Wooden Dowel Ø10x40 	2
6	Allen key K5 	1
7	Wrench 	1



ASSEMBLY INSTRUCTION  
G5172 - CROSS LARGE EXT. DINING TABLE



STEP 3	STEP 4
STEP 5	FINAL



When opening or closing the table :  
Please pull/push with both hands using equal strength, while standing at  
the head of the table

LOCK