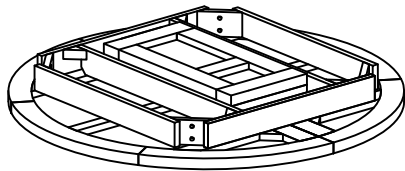
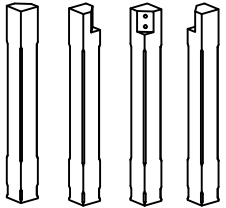




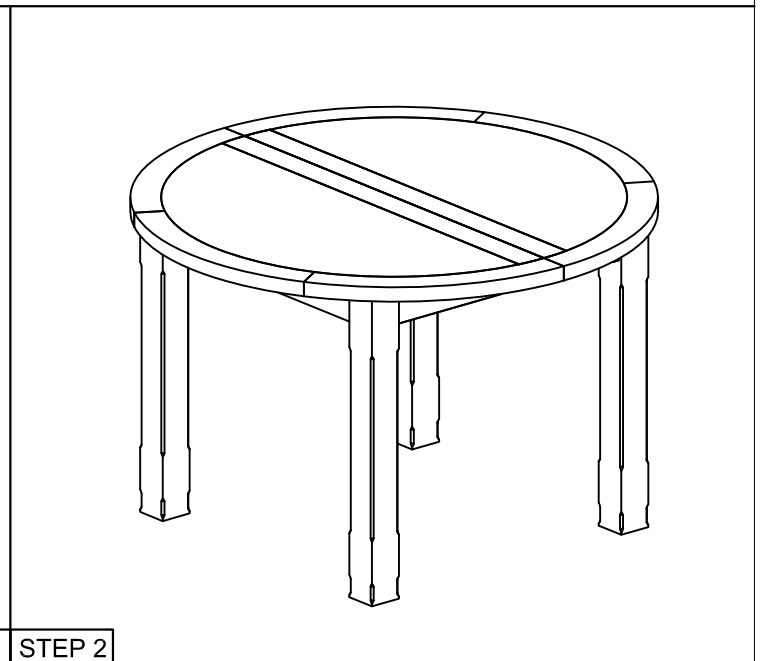
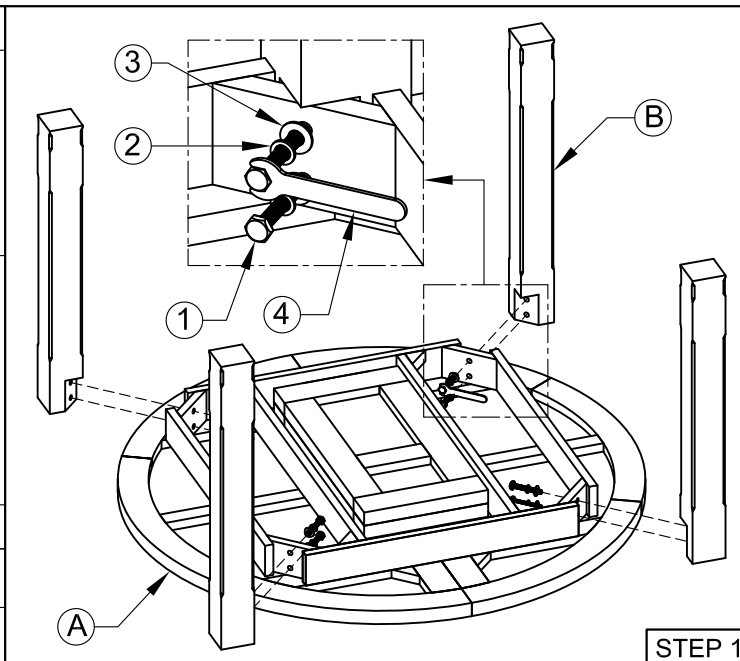
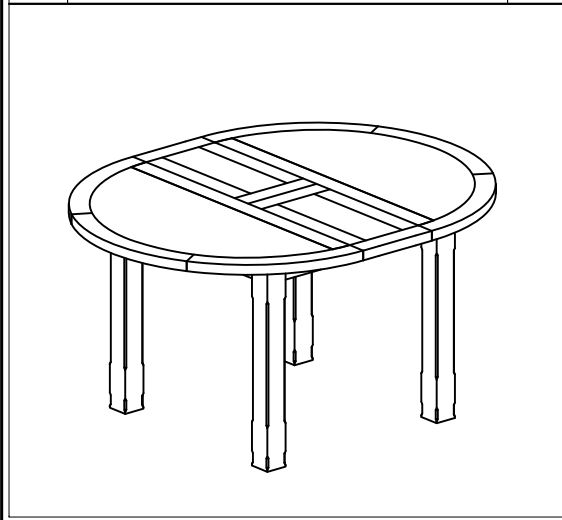


ASSEMBLY INSTRUCTION G5171 - ROUND EXT. DINING TABLE

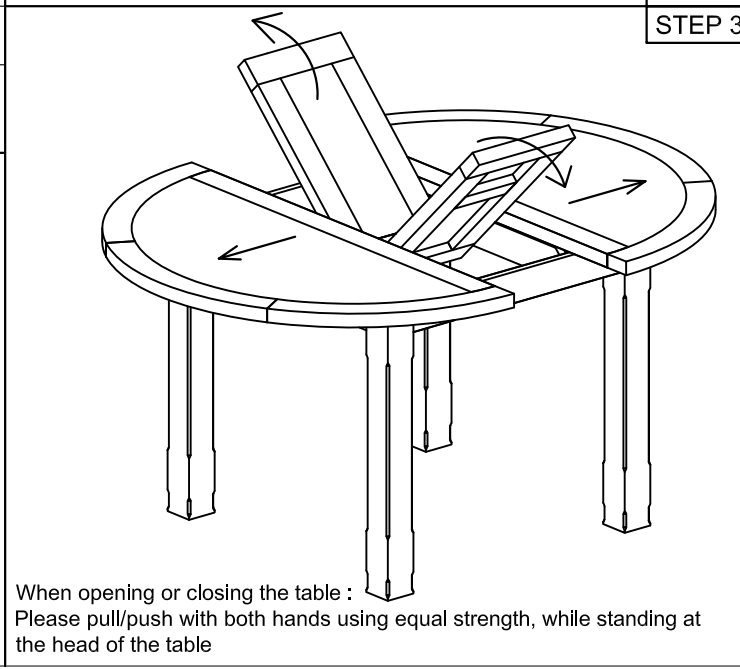
No.	Part name	Q'ty
A		1

B		4
---	---	---

No.	Hardware name	Q'ty
1	Bolt M10x70 	8
2	Lock Washer M10 	8
3	Washer M10 	8
4	Wrench 	1



STEP 1	STEP 2
STEP 3	FINAL



When opening or closing the table :
Please pull/push with both hands using equal strength, while standing at the head of the table

