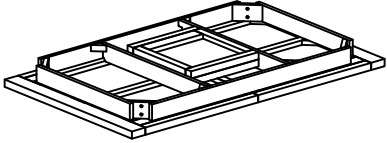
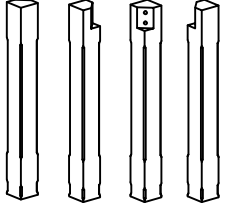




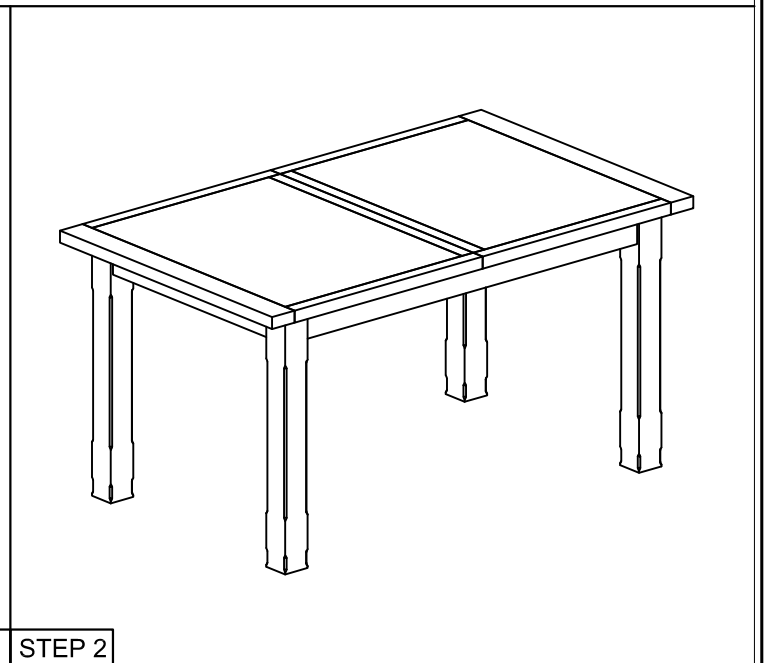
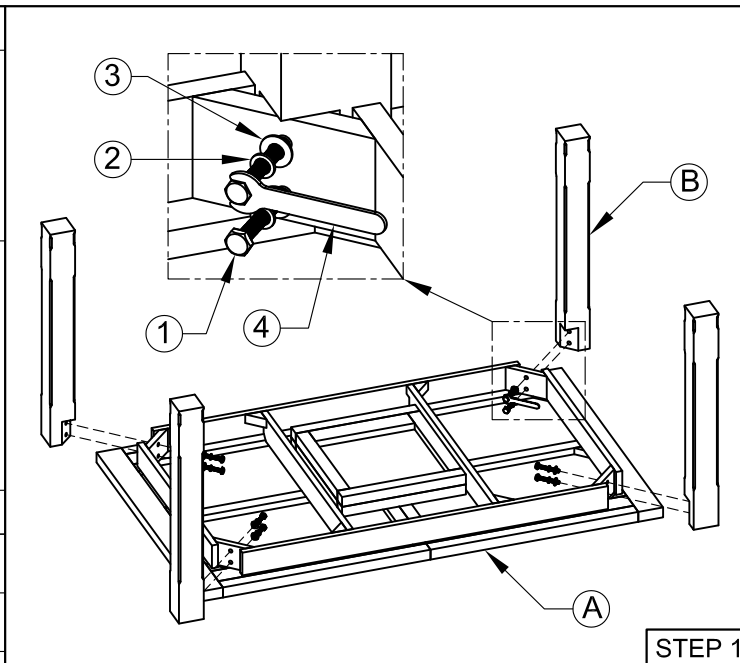
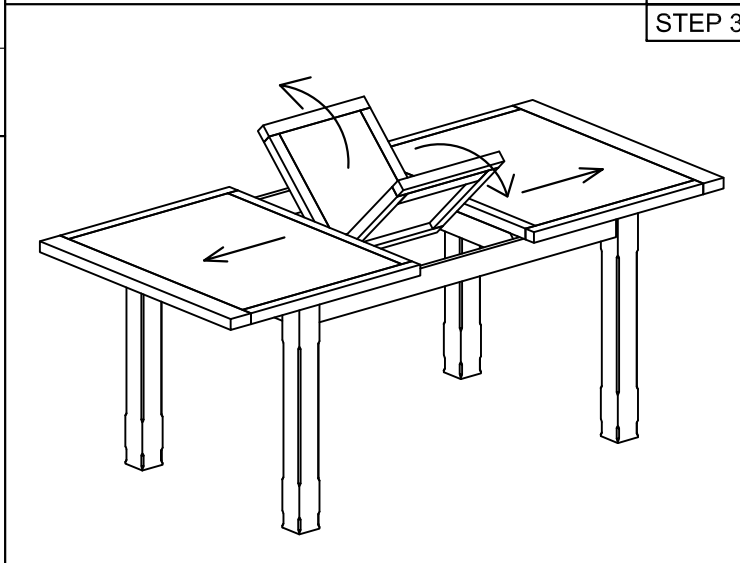
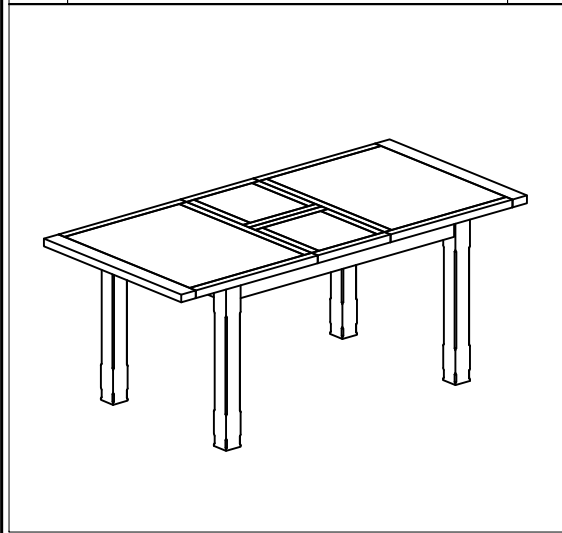


## ASSEMBLY INSTRUCTION G5170 - SMALL EXT. DINING TABLE

No.	Part name	Q'ty
A		1
B		4
No.	Hardware name	Q'ty
1	Bolt M10x70 	8
2	Lock Washer M10 	8
3	Washer M10 	8
4	Wrench 	1



STEP 1	STEP 2
STEP 3	FINAL



When opening or closing the table :  
Please pull/push with both hands using equal strength, while standing at the head of the table

