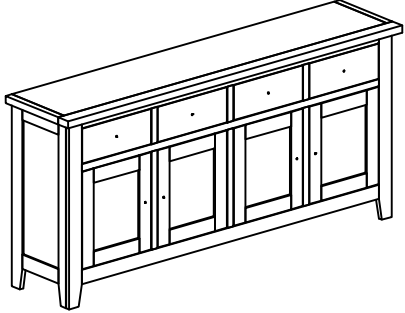




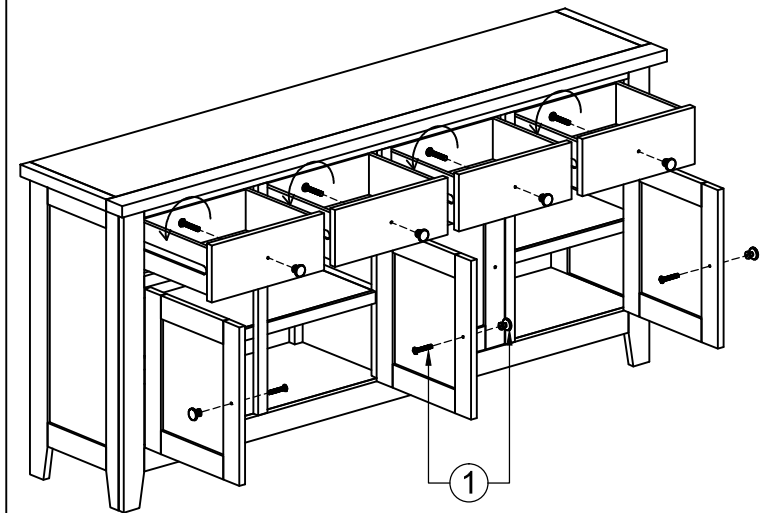
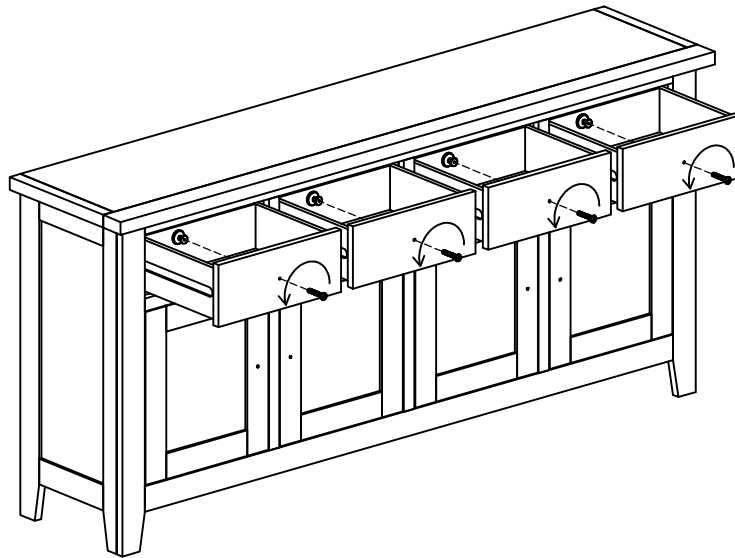


# ASSEMBLY INSTRUCTION

## G5166 - 4 DOOR EXTRA LARGE SIDEBOARD

No.	Part name	Q'ty
A		1
No.	Hardware name	Q'ty
1	Handle with Bolt 	4
2	Bracket 	2
3	Tie 	1
4	Screw Ø4x20 	2



STEP 1	STEP 2
STEP 3	FINAL

