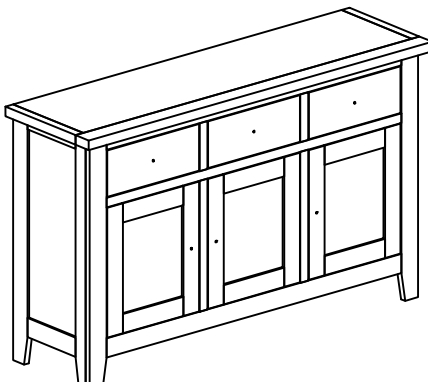




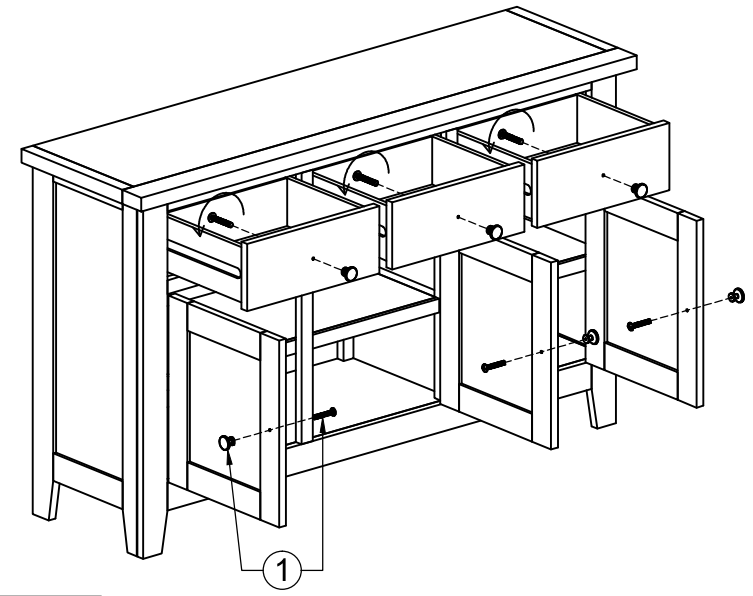
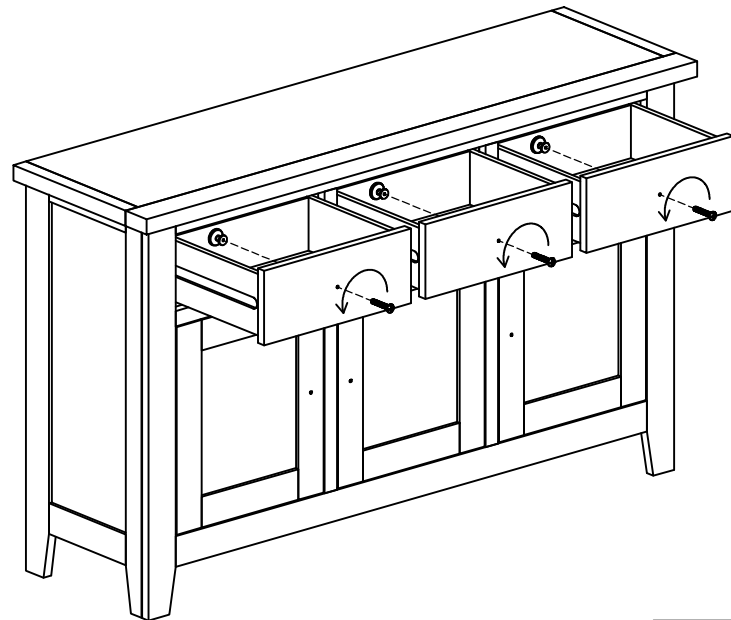


ASSEMBLY INSTRUCTION

G5165 - 3 DOOR LARGE SIDEBORD

No.	Part name	Q'ty
A		1

No.	Hardware name	Q'ty
1	Handle with Bolt 	3
2	Bracket 	2
3	Tie 	1
4	Screw Ø4x20 	2



STEP 1	STEP 2
STEP 3	FINAL

