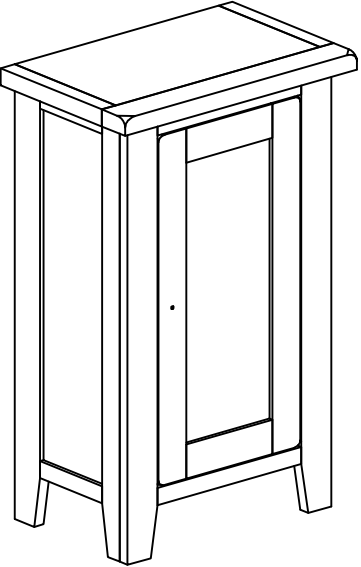
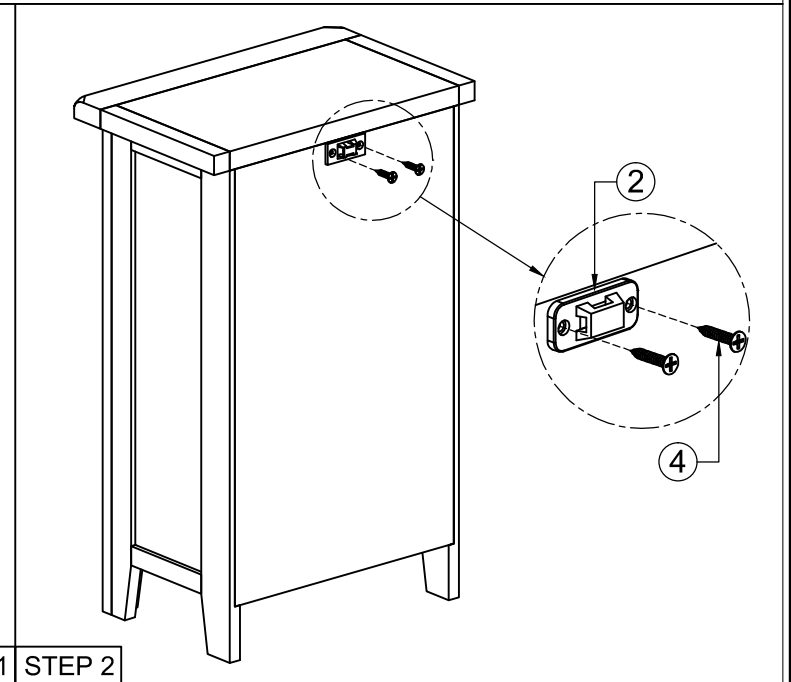
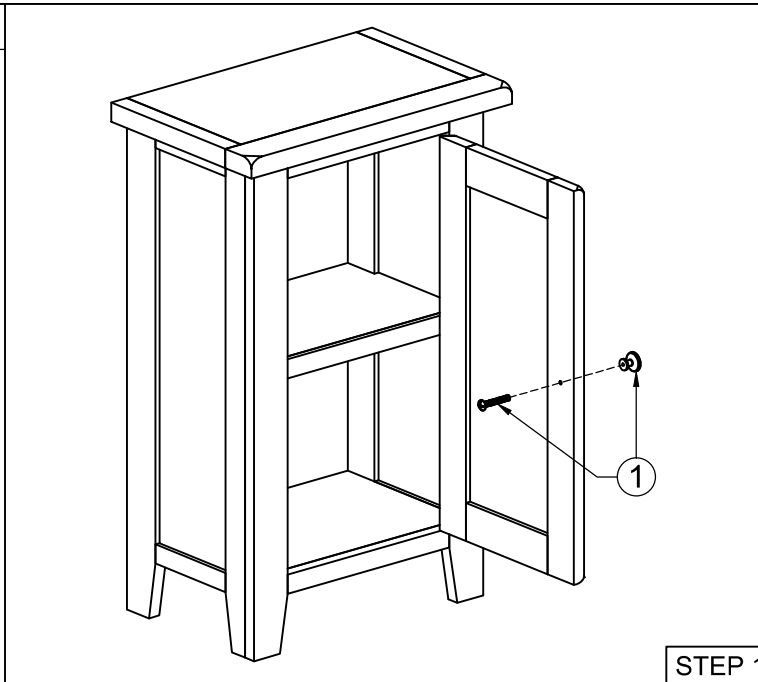






## ASSEMBLY INSTRUCTION G5162 - SINGLE CUPBOARD

No.	Part name	Q'ty
A		1



No.	Hardware name	Q'ty
1	Handle with Bolt 	1
2	Bracket 	2
3	Tie 	1
4	Screw Ø4x20 	2

STEP 1	STEP 2
STEP 3	FINAL

