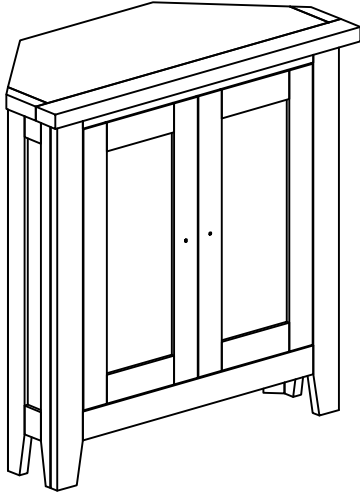




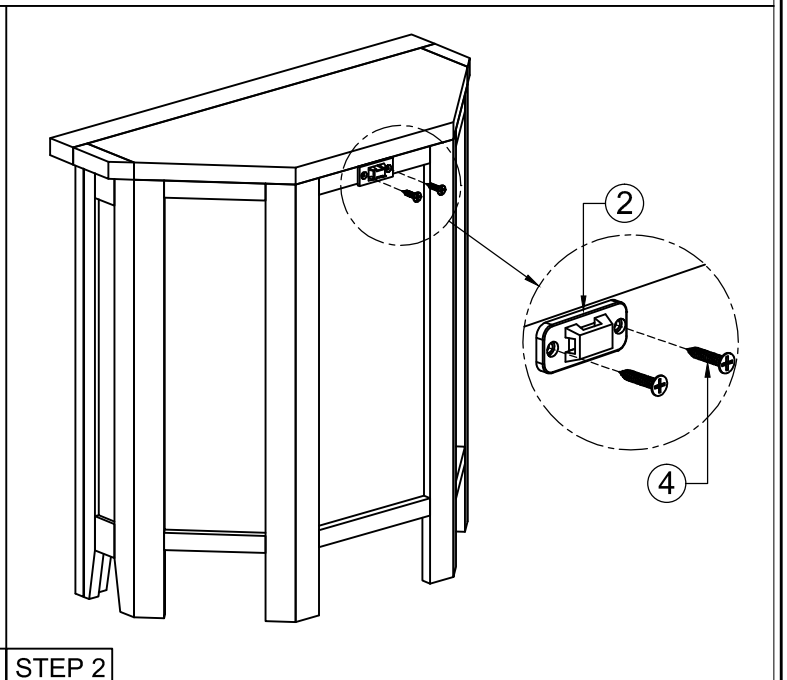
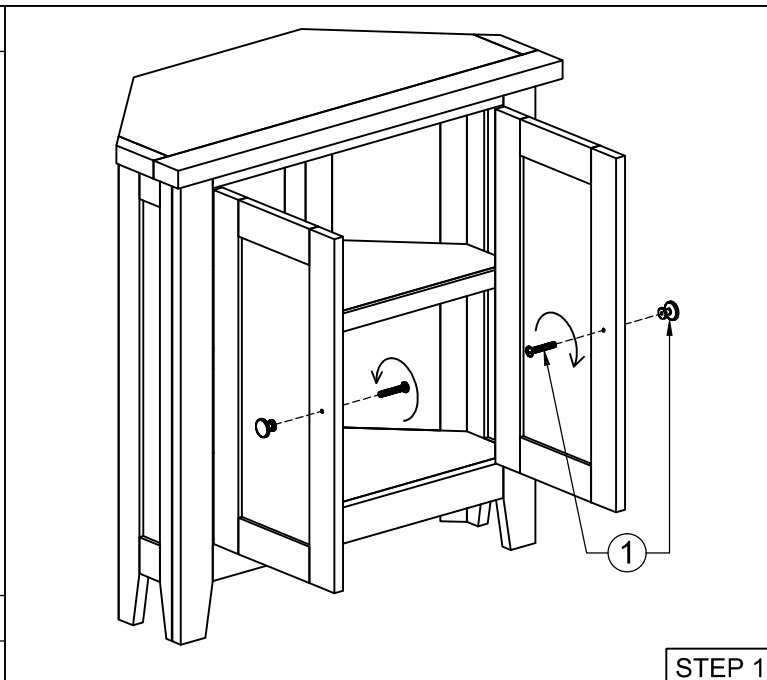


ASSEMBLY INSTRUCTION G5161 - CORNER CUPBOARD

| No. | Part name | Q'ty |
|-----|---|------|
| A |  | 1 |

| No. | Hardware name | Q'ty |
|-----|--|------|
| 1 | Handle with Bolt  | 2 |
| 2 | Bracket  | 2 |
| 3 | Tie  | 1 |
| 4 | Screw Ø4x20  | 2 |



| | |
|--------|--------|
| STEP 1 | STEP 2 |
| STEP 3 | FINAL |

