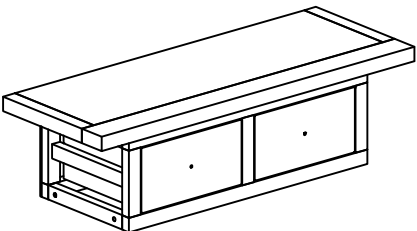
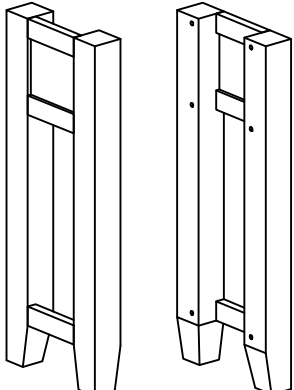

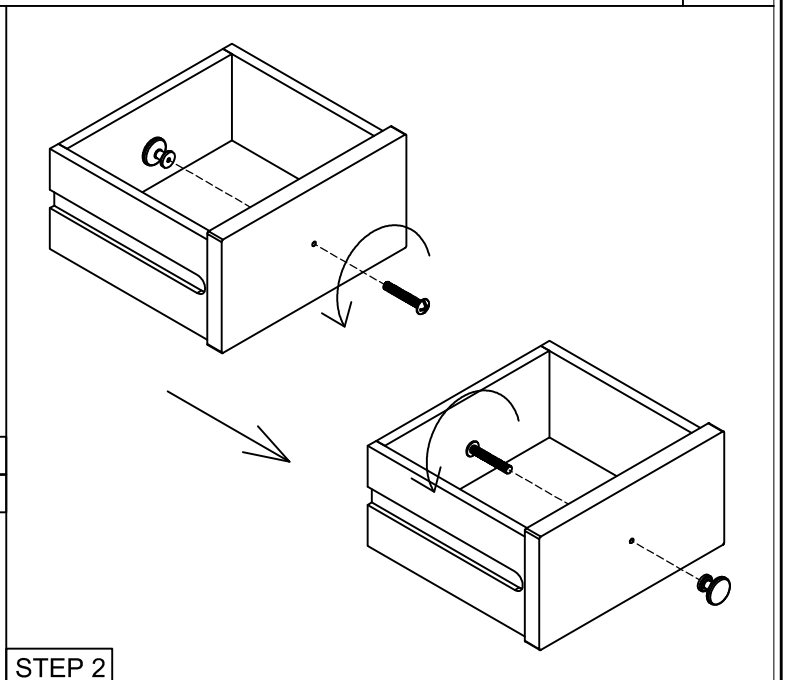
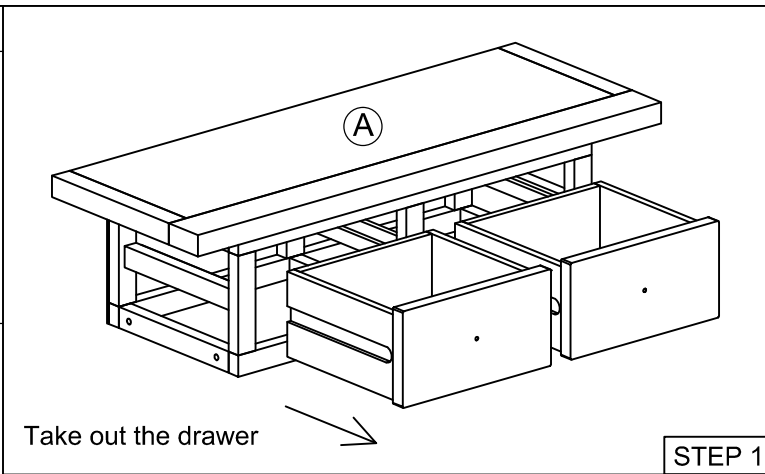



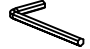



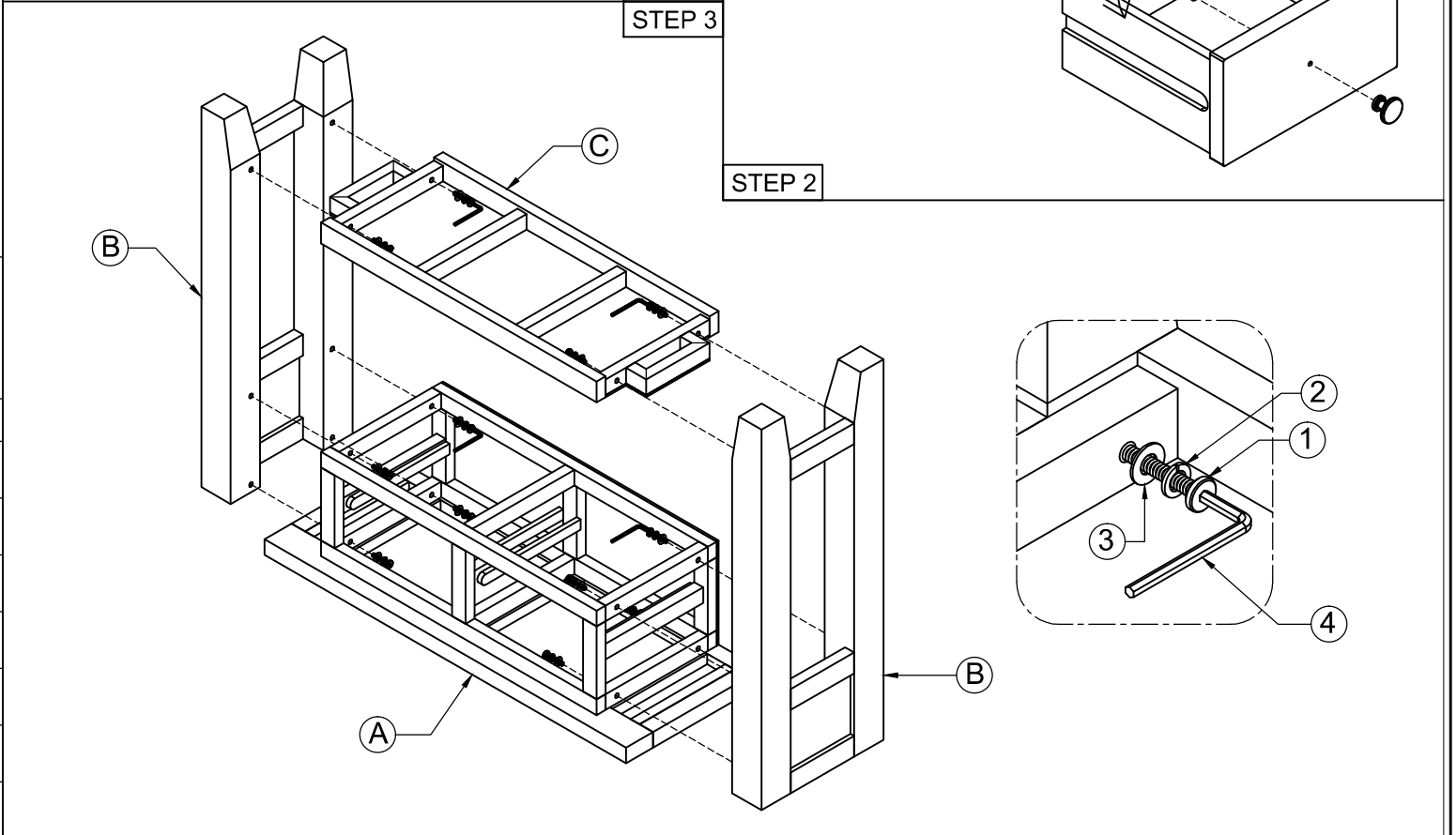


ASSEMBLY INSTRUCTION G5155 - CONSOLE TABLE

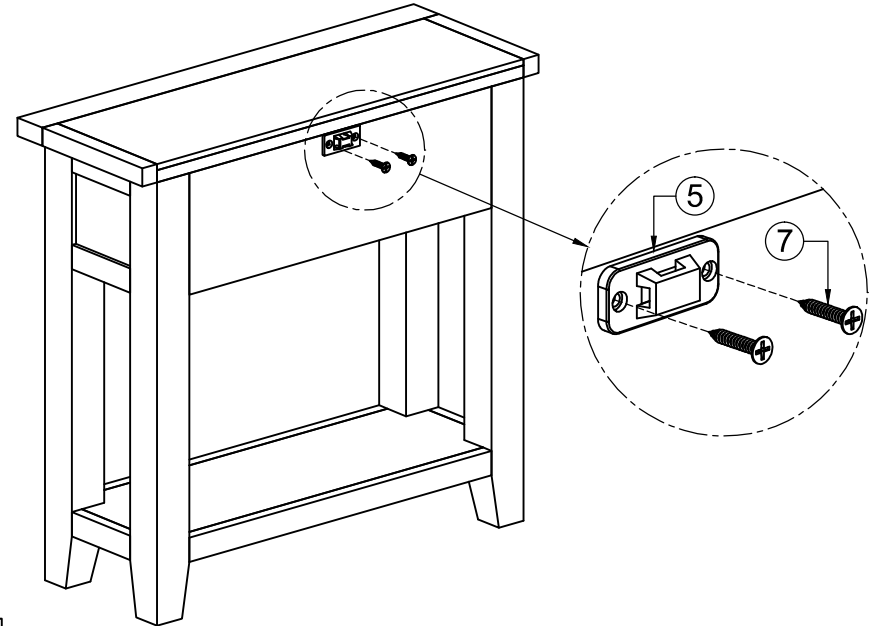
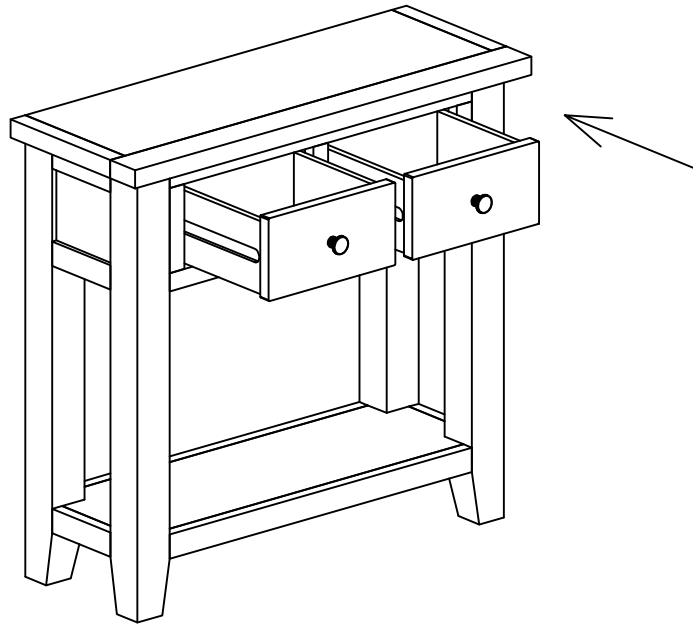
No.	Part name	Q'ty
A		1
B		2
C		1



No.	Hardware name	Q'ty
1	Bolt M6x40 	12
2	Flat washer Ø8/Ø19 x T.1 	12
3	Lock washer Ø8/Ø12 x T.1.5 	12
4	Allen key K4 	1
5	Bracket 	2
6	Tie 	1
7	Screw Ø4x20 	2



ASSEMBLY INSTRUCTION
G5155 - CONSOLE TABLE



STEP 4	STEP 5
STEP 6	FINAL

