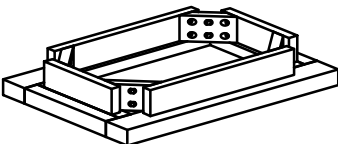
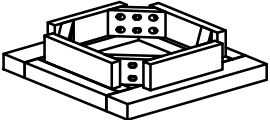
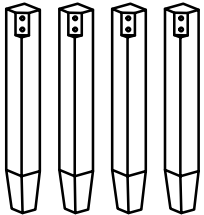
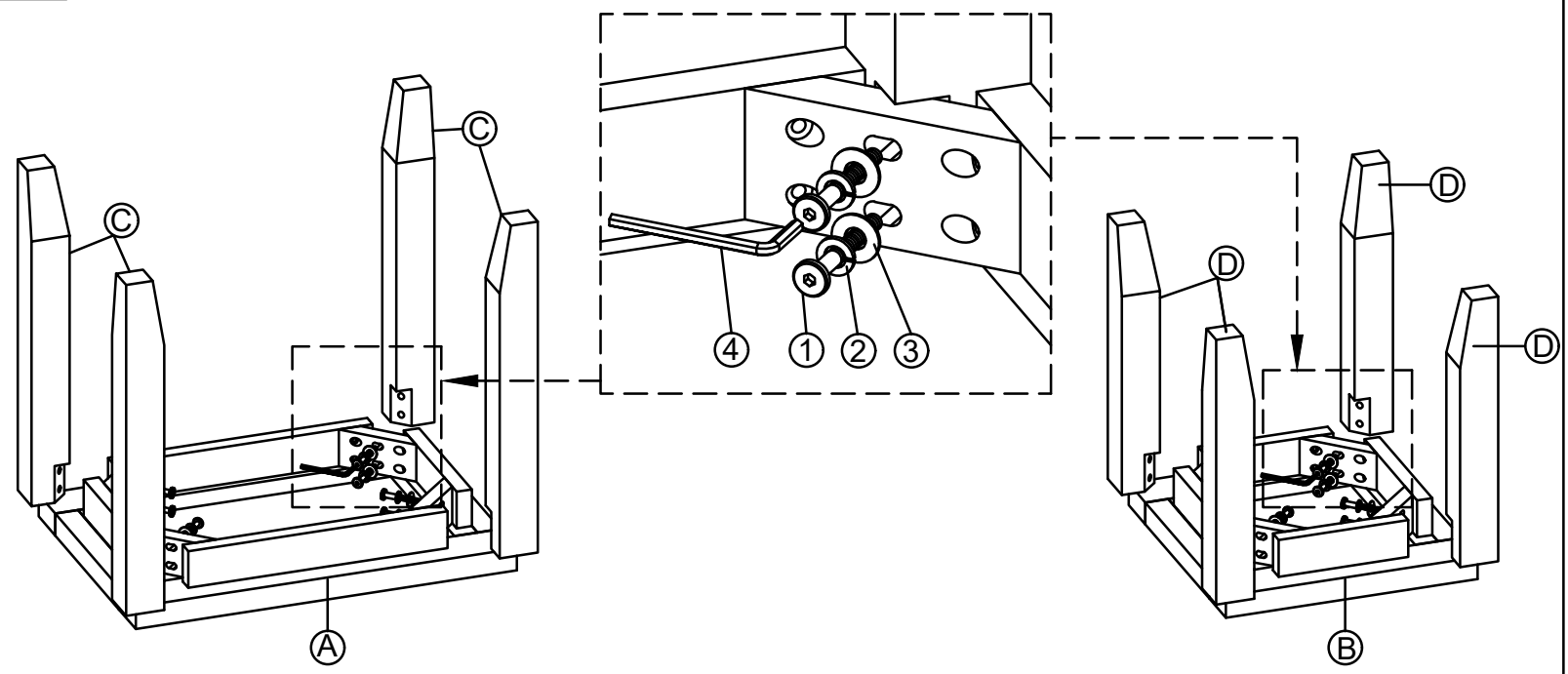


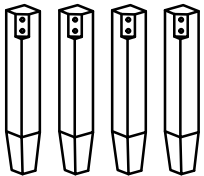
ASSEMBLY INSTRUCTION

NEST OF TABLE_KD

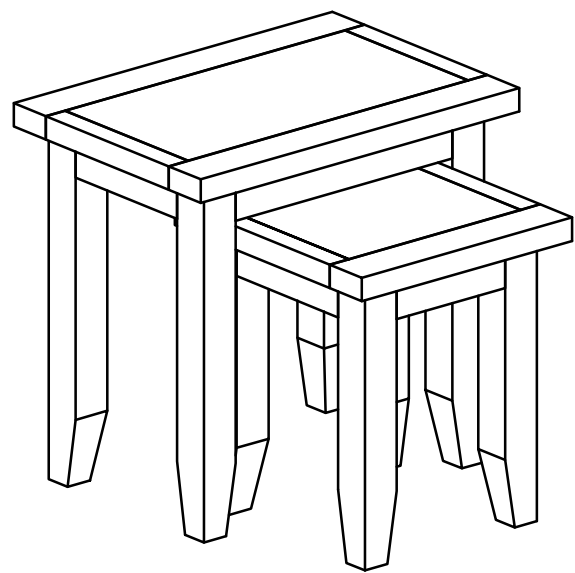
No	Name of Component	Q.ty
(A)	 Large Frame	1
(B)	 Small Frame	1
(C)	 Long Legs	4





STEP 1



(D)	 Short Legs	4
-----	--------------------------------------------------------------------------------------------------	---

FINAL



No	Name of Hardware	Q.ty
(1)	Bolts M6x50 	16
(2)	Spring Washers 	16
(3)	Flat Washers 	16
(4)	Allen key K4 	1