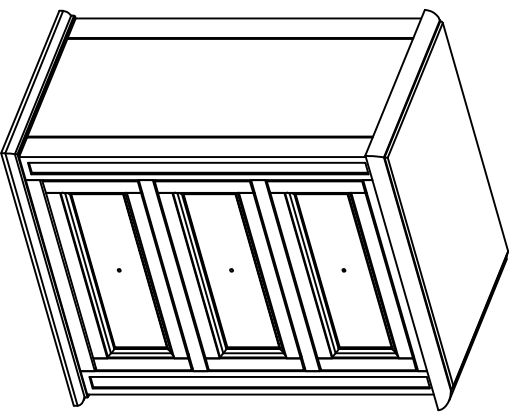
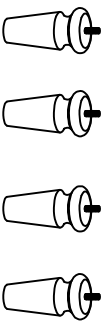





ASSEMBLY INSTRUCTION

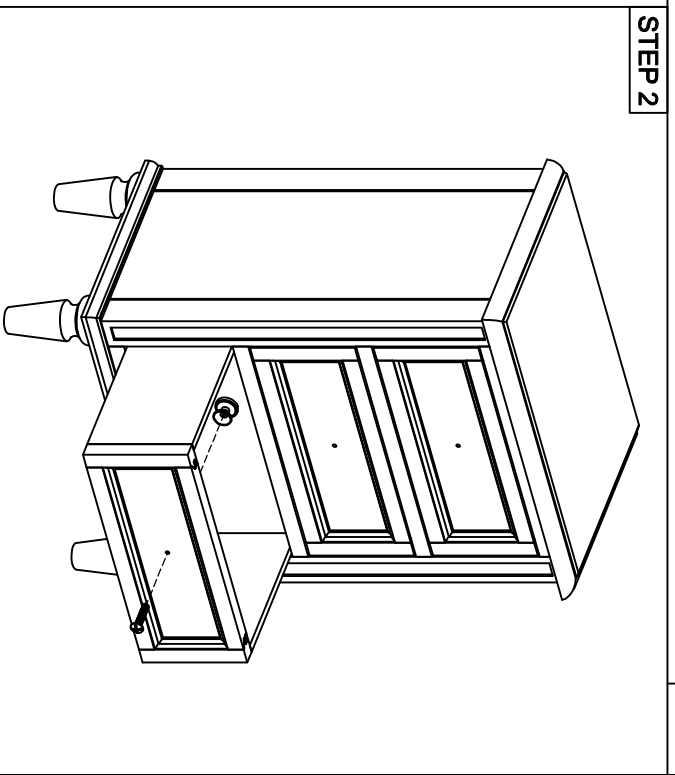
G5009 - BEDSIDE

No.	Part name	Qty	STEP 1
-----	-----------	-----	--------

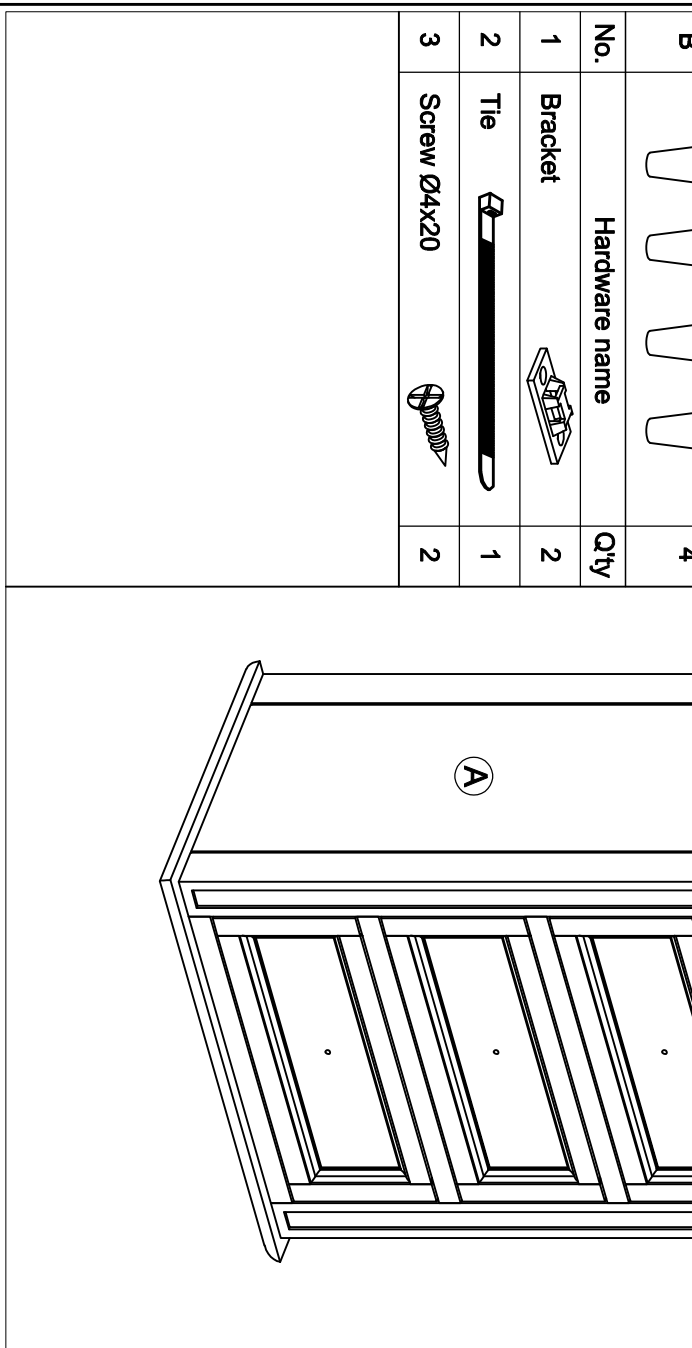
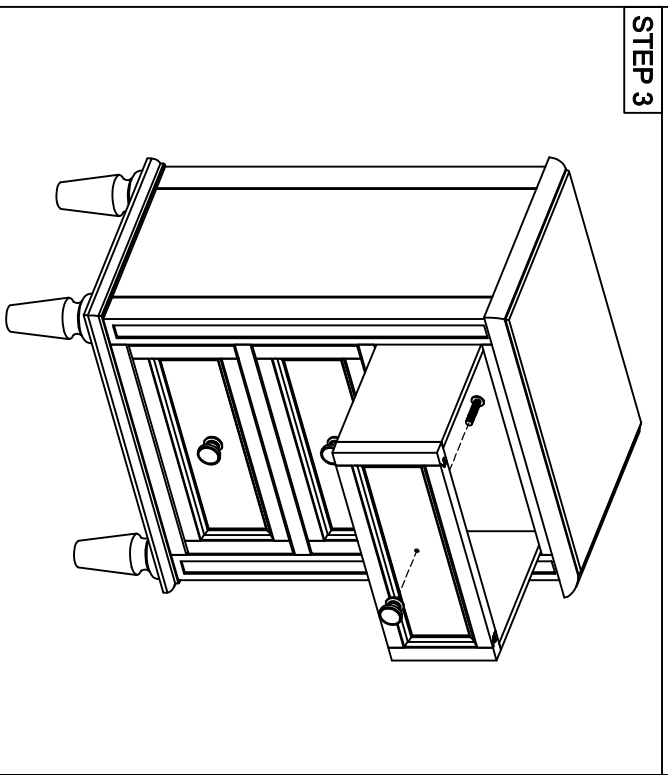
A		1	
---	--	---	--

B		4	
No.	Hardware name	Qty	
1	Bracket 	2	
2	Tie 	1	
3	Screw $\varnothing 4 \times 20$ 	2	

STEP 2



STEP 3



ASSEMBLY INSTRUCTION
G5009 - BEDSIDE

STEP 4

FINAL

