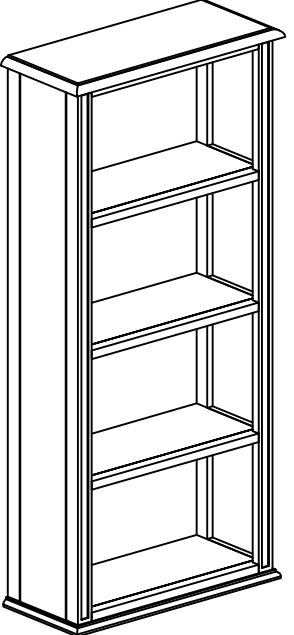
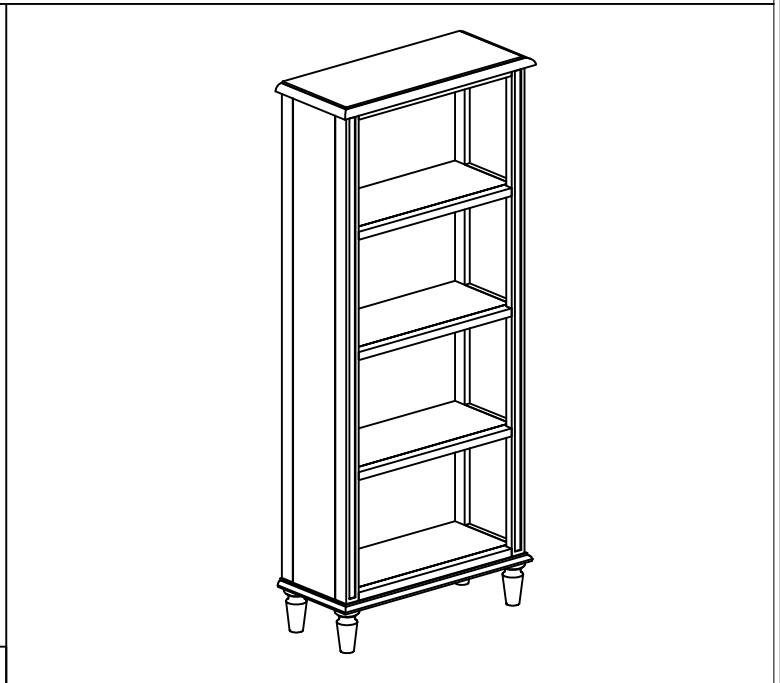
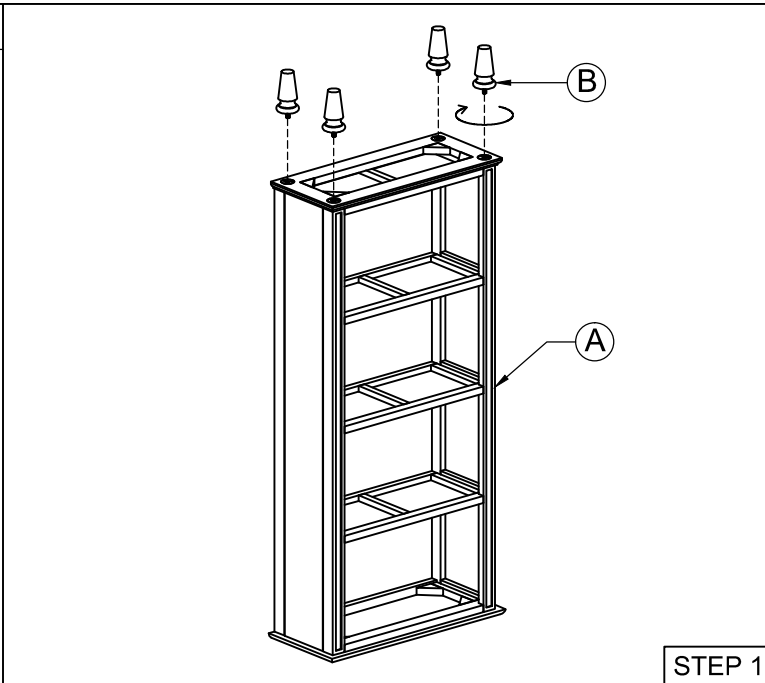






ASSEMBLY INSTRUCTION

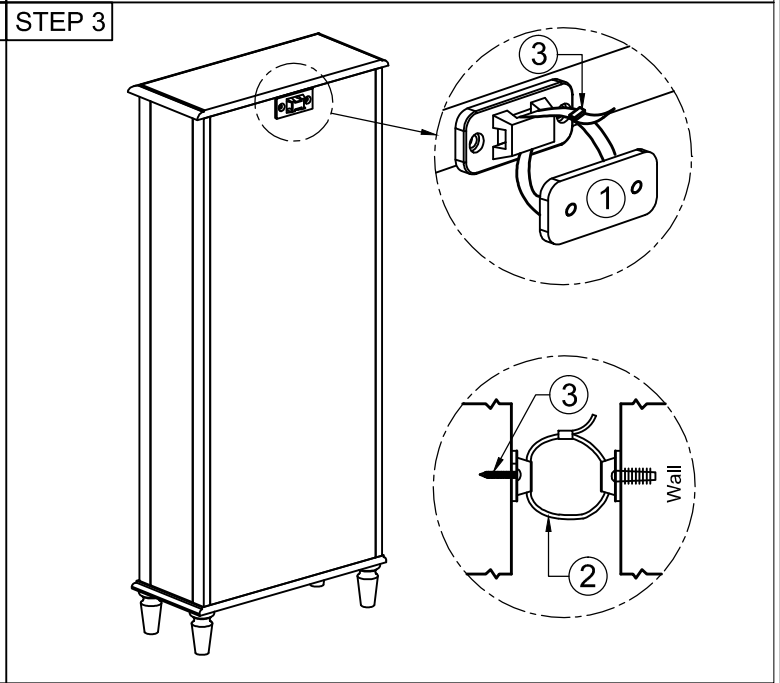
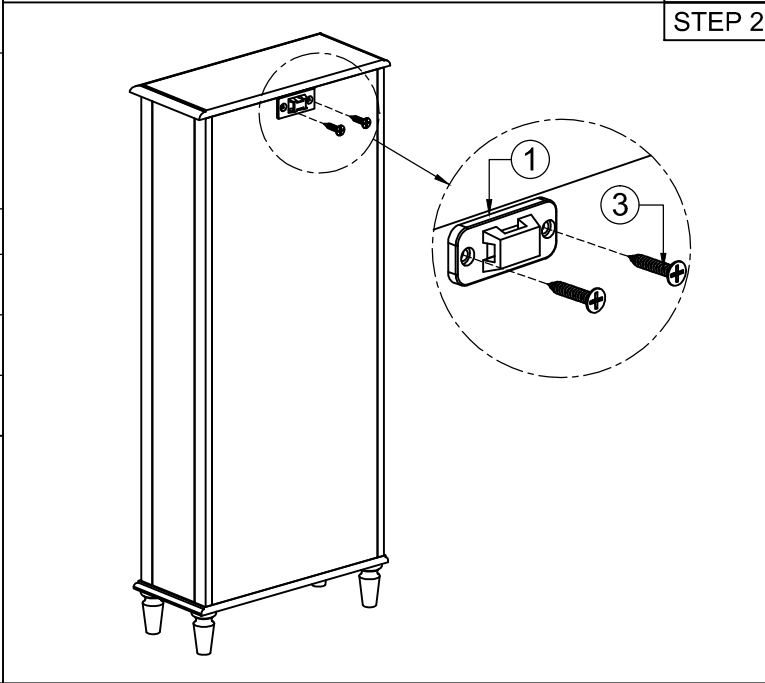
G5003 - SLIM BOOKCASE

No.	Part name	Q'ty
A		1



B		4
---	--	---

No.	Hardware name	Q'ty
1	Bracket 	2
2	Tie 	1
3	Screw Ø4x20 	2



STEP 1
STEP 2 STEP 3